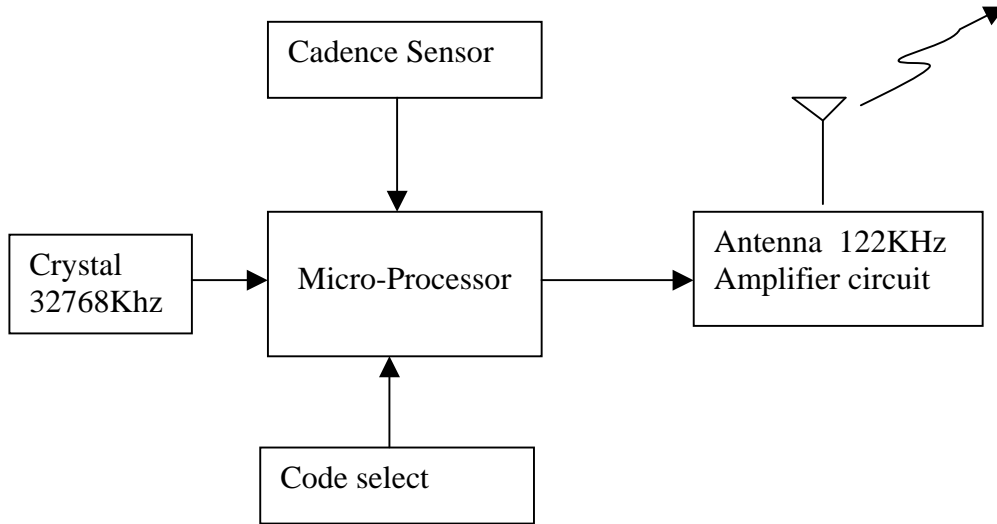


PMS-2 Transmitters Block Diagram



P.S. Power is 4.5V (use AAA battery *3)