

6

5

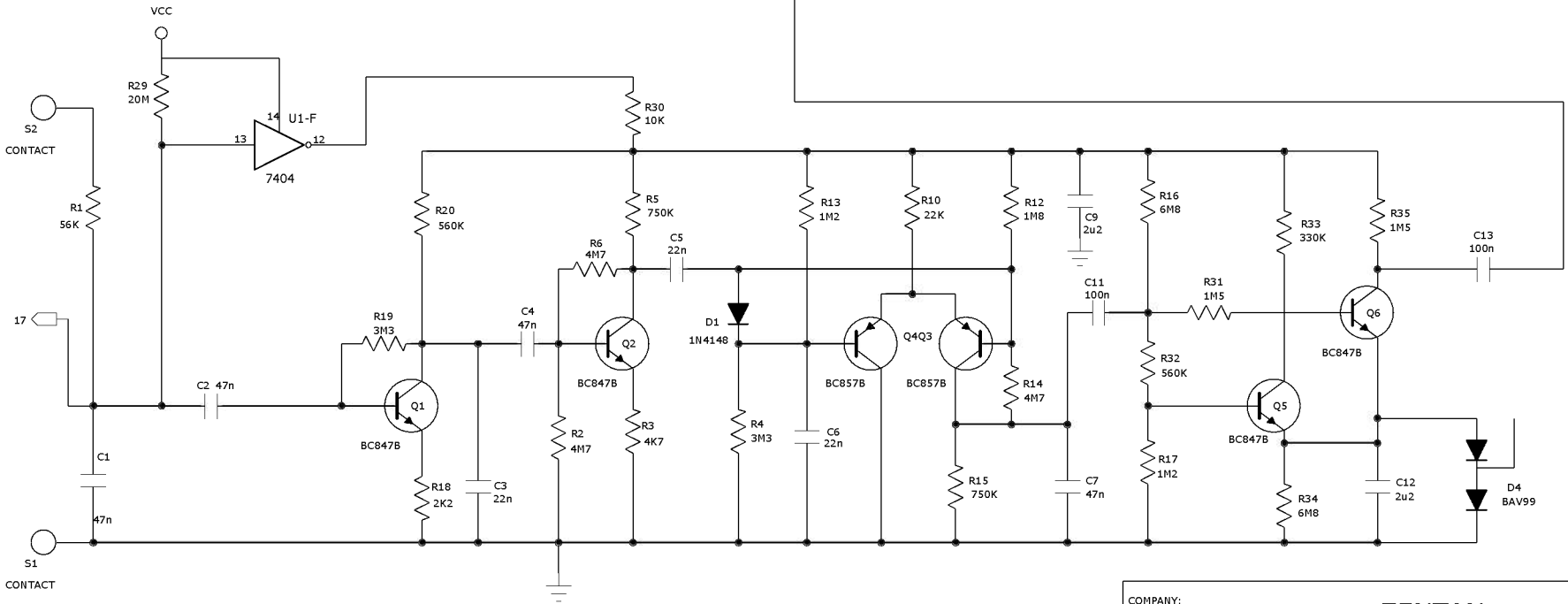
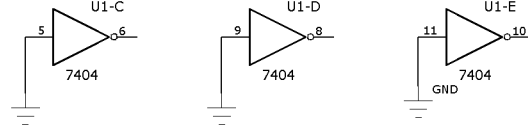
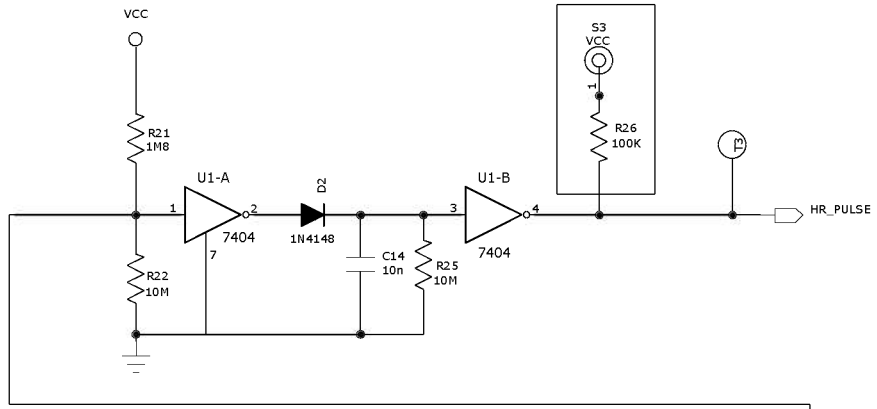
4

3

2

1

REVISION RECORD			
LTR	ECO NO:	APPROVED:	DATE:



COMPANY:		ZENTAN		
TITLE:		ZT22A+		
DRAWN:	DATED:	CODE:	SIZE:	DRAWING NO:
BRIGHT	2010/05/19	<Code>	A3	<Drawing Number>
CHECKED:	DATED:	REV:		
<Checked By>	<Checked Date>	1.2		
QUALITY CONTROL:	DATED:			
<QC By>	<QC Date>			
RELEASED:	DATED:			
<Released By>	<Release Date>			
SCALE: <Scale>		SHEET: 1 of		2

D

D

C

C

B

B

A

A

6

5

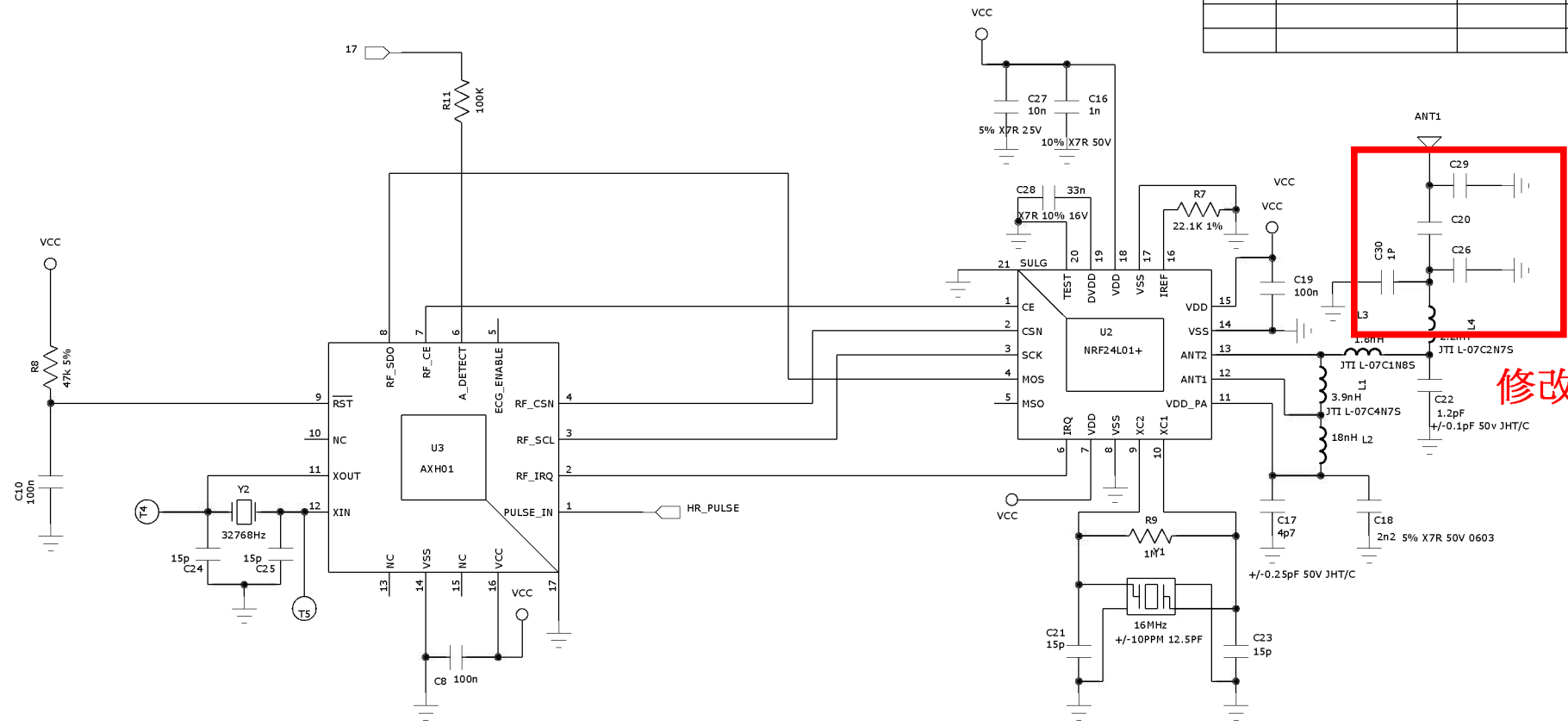
4

3

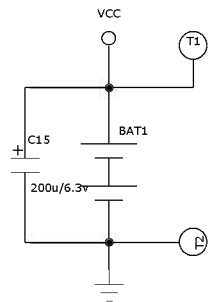
2

1

REVISION RECORD			
LTR	ECO NO:	APPROVED:	DATE:



修改後



COMPANY: ZENTAN			
TITLE: ZT22A+			
CODE: <Code>	SIZE: A3	DRAWING NO: <Drawing Number>	REV: 1.2
DRAWN: BRIGHT		DATED: 2010/03/04	
CHECKED: <Checked By>		DATED: <Checked Date>	
QUALITY CONTROL: <QC By>		DATED: <QC Date>	
RELEASED: <Released By>		DATED: <Release Date>	
SCALE: <Scale>			SHEET: 2 OF 2

D

C

B

A

D

C

B

A