

Mechanics 450

Operational Description

SKIDATA™
access unlimited



1

Operational description on the Mechanics 450

Version 1.0
7 pages
Copyright 2003 by SKIDATA AG

1.1 Contents

1.1	Contents	2
1.2	MECH 450	3
1.2.1	General – Ticket printer MECH 450 (CE 450)	3
1.2.2	Features	3
1.2.3	Data carriers	3
1.2.4	Technical Characteristics	3
1.3	Dimensions	4

1.2 MECH 450

1.2.1 General – Ticket printer MECH 450 (CE 450)

The MECH 450 is a fast and compact ticket printer with a built-in 122,88 kHz RFID interface. It is used as a module for SKIDATA™ products such as parking columns or payment machines. The device can print characters and barcodes on thermodirect paper tickets and read the barcodes on these tickets. It is also able to handle (read and write) magnetic stripes on the tickets. The 122,88 kHz interface may be used as an alternative to paper tickets.

SKIDATA AG does not offer the MECH 450 as an individual product.

1.2.2 Features

- Compatible with all 122,88 kHz data carriers used in SKIDATA™ systems
- Direct thermoprinting
- Flexible – used in most SKIDATA™ parking devices

1.2.3 Data carriers

- Thermodirect Paper tickets 85,6 x 54,0 fan folded, according to ISO 15457-1, with or without magnetic stripe
- keycard
- Swatch Access

1.2.4 Technical Characteristics

Temperature range 0°C to 60°C
Weight 3,0 kg
Resolution 90 dpi

1.3 Dimensions

Fig. 1: View 01: MECH 450

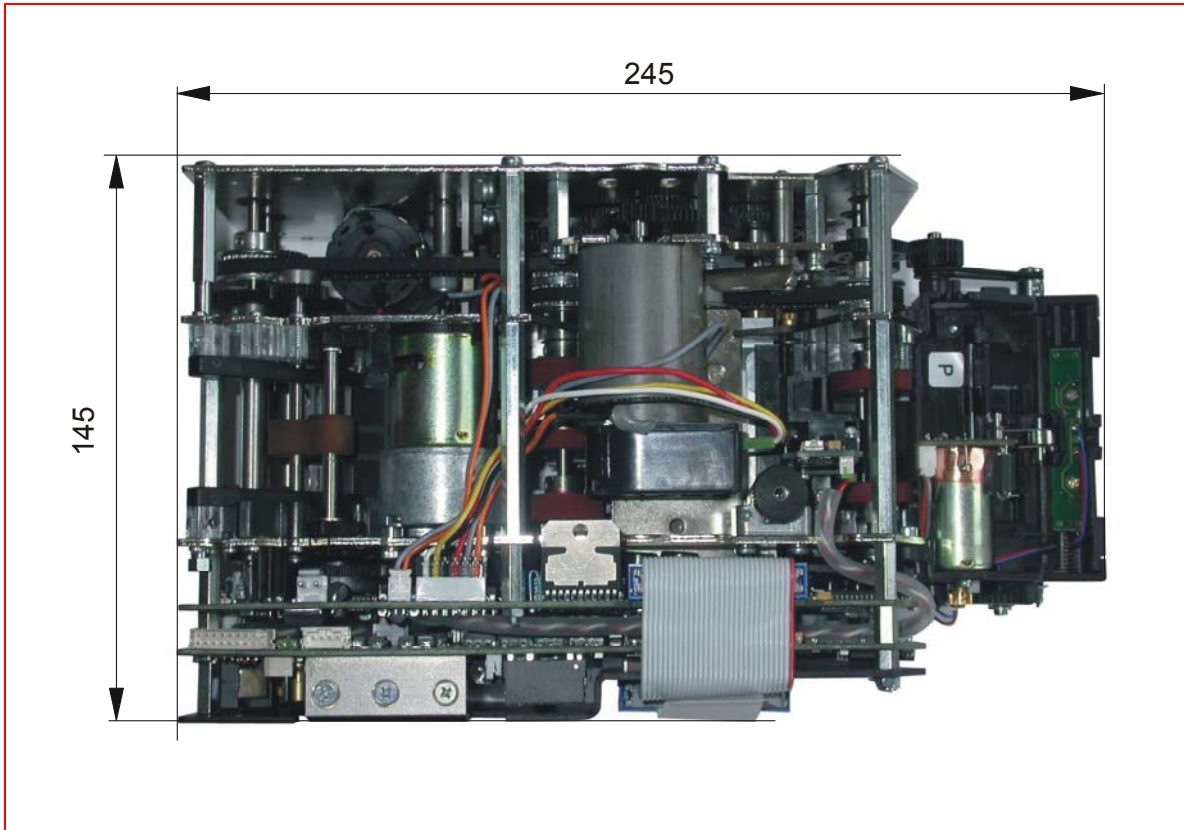


Fig. 2: View 02: MECH 450

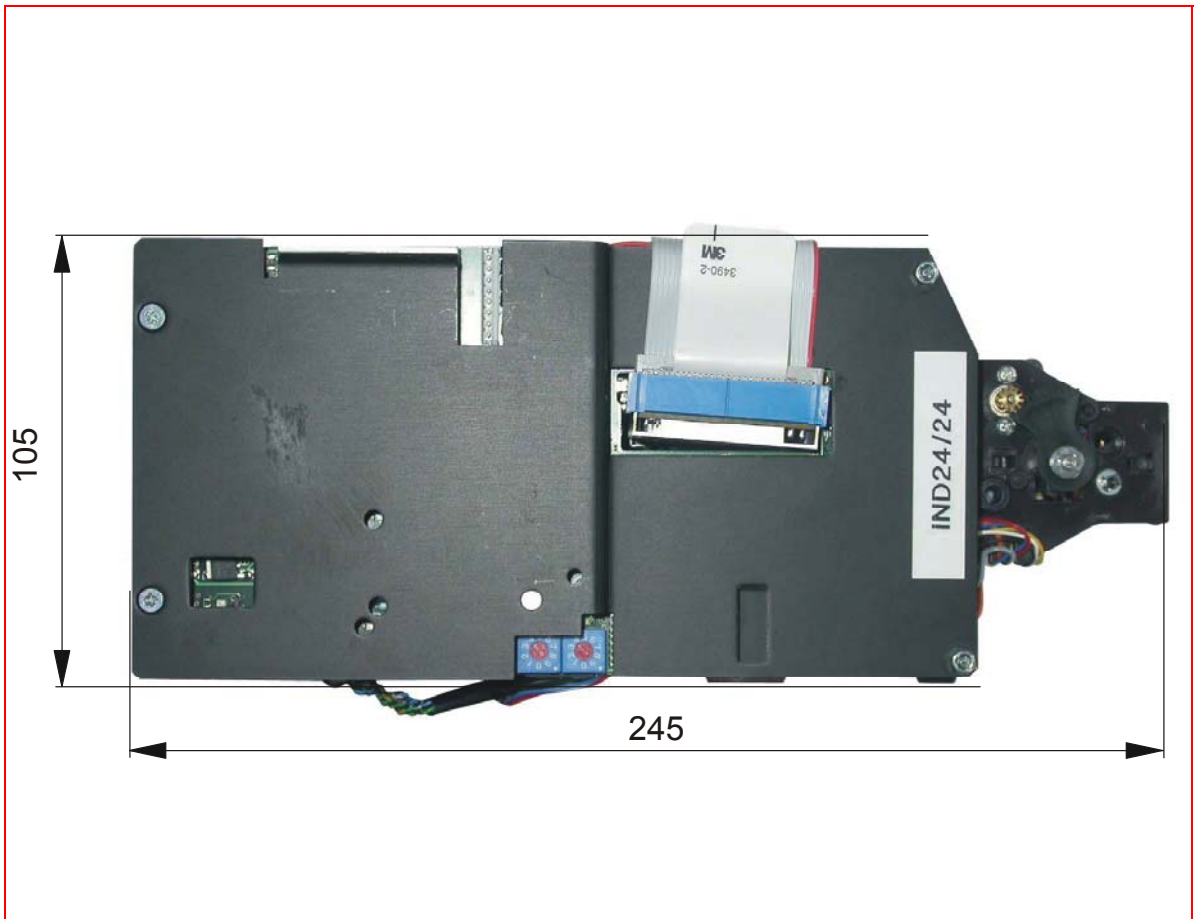


Fig. 3: View 03: MECH 450

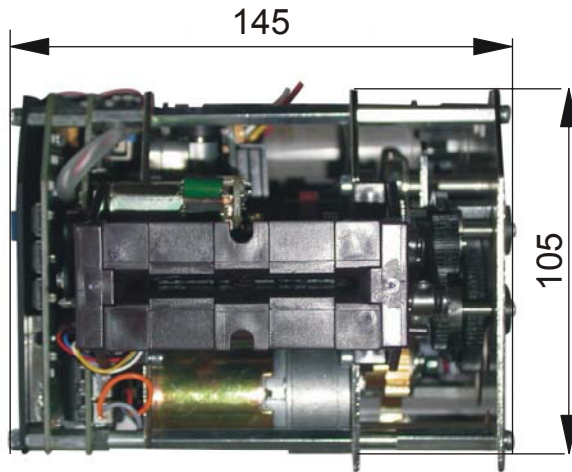


Fig. 4: View 04: MECH 450

