

The KeyDetector DUO functions as an interface between external systems and SKIDATA's keymotion technology, which supports contactless data carriers such as the keycard or Swatch Access.

When a data carrier is moved towards the reading point of the KeyDetector DUO, the stored information is read automatically and relayed via a serial interface to the host system.

Conversely, the KeyDetector DUO can write data received via this interface directly to the memory of the data carrier. Writing access to a data carrier is controlled by a built-in security IC.

The KeyDetector DUO features FET switching outputs for actuating electric door openers and similar access control devices.

An optional external antenna (KeyD ANT DUO) is available for applications with special security requirements.



Picture may vary from actual product

### Features

- keymotion function - compatible with data carriers supported by SKIDATA systems
- Integrated DUO technology supports 122.88 kHz and 13.56 MHz frequency ranges
- Wear-free thanks to contactless technology
- Simple integration thanks to standard interfaces (RS232, RS485)
- Switching output for 1 A load
- Operating status is indicated by red/green/orange LED and piezo beeper
- Durable, weather resistant design
- Prepared for compliance with ISO 15693

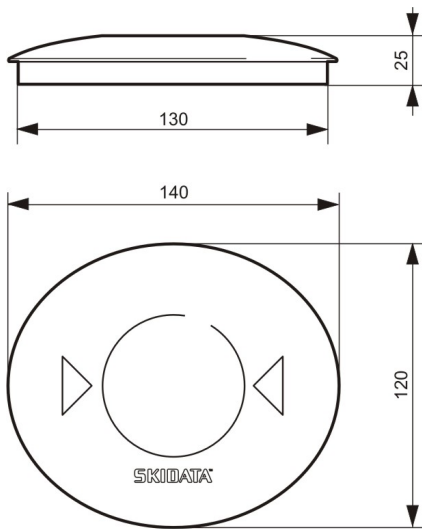
**Versions, Accessories**

- 966201000 ..... KeyD 232 DUO W, KeyDetector DUO RS 232, wall-mount version
- 966201010 ..... KeyD 232 DUO T, KeyDetector DUO RS 232, table version
- 966201020 ..... KeyD 485 DUO W, KeyDetector DUO RS 485, wall-mount version
- 966201030 ..... KeyD 485 DUO T, KeyDetector DUO RS 485, table version
- 966201900 ..... KeyD ANT DUO, external antenna for KeyDetector DUO

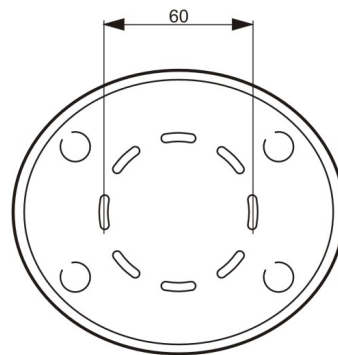
Note: The “W” and “T” version differ only in the accessories provided, the KeyDetector themselves are the same.

**Technical Characteristics**

- Data carriers ..... keycard, GemFree, Swatch Access, KeyBand, GORE-TEX® Glove
- Housing dimensions ..... 140 x 120 x 25 mm (l x w x d)
- PCB dimensions ..... 110 x 100 x 14 mm (l x w x d)
- Operating frequencies ..... 122.88 kHz, 13.56 MHz
- Supply voltage ..... 7 – 12 V DC
- Power consumption ..... 2.4 W max.
- Protection class ..... IP43 (wall-mount model is spray proof)
- Operating temperature ..... -20° to +60°C
- Colour ..... Housing: Blue (RELIUS E-14-45), Imprint: Orange (PANTONE 151 C)
- Range ..... keycard approx. 10 cm, Swatch Access approx. 4 cm, GemFree approx. 8 cm



**Casing**



**Mounting Plate (bottom view)**