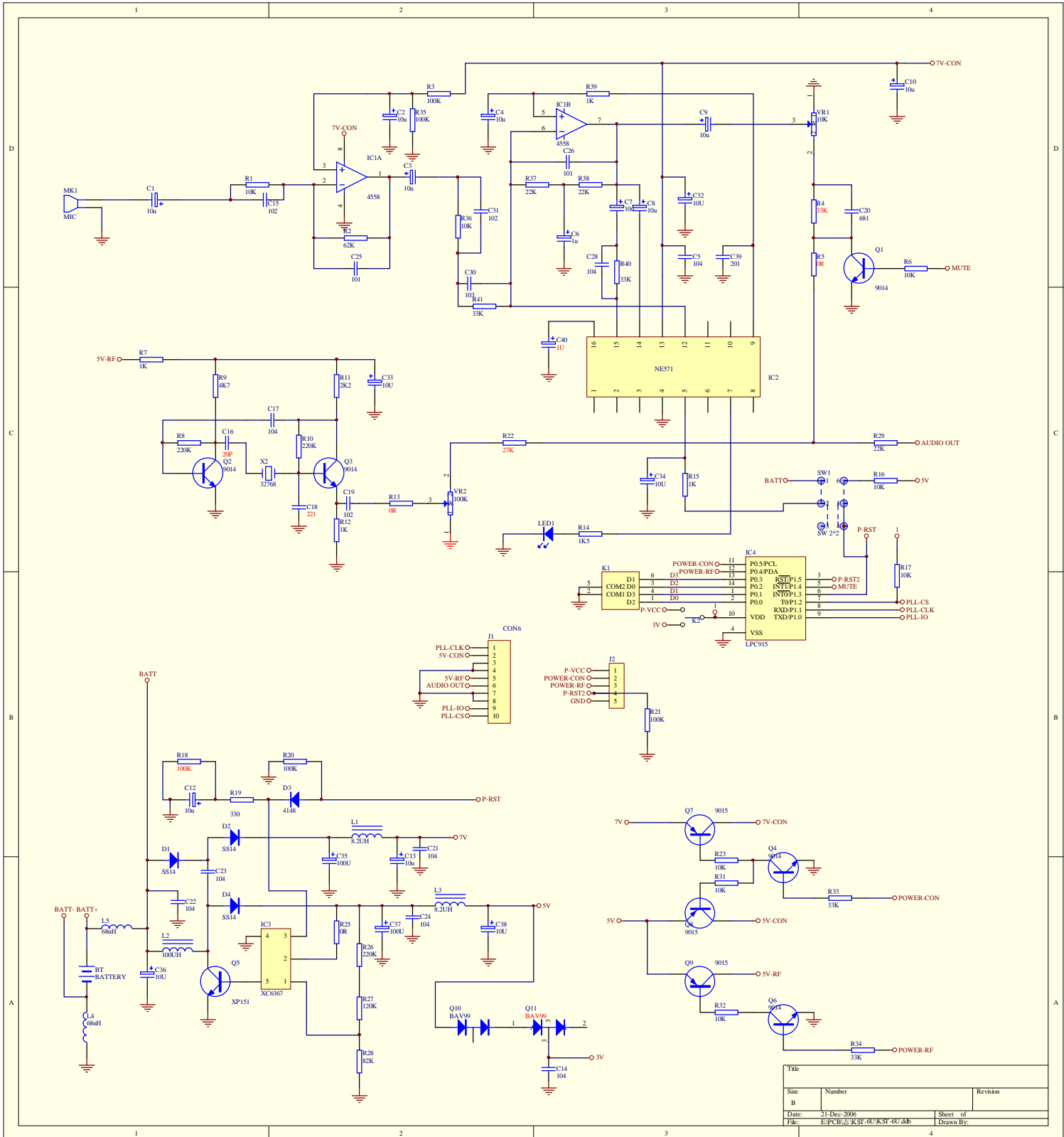


Title		
Size	Number	Revision
A4		
Date:	27-Dec-2006	Sheet of
File:	E:\PCB\志KST-6U\KST-6U.ddb	Drawn By:



Title		
Size	Number	Revision
B		
Date:	21-Dec-2006	Sheet of
File:	E:\PCB\30\KSF-6U\KSF-6U.dtb	Drawn By: