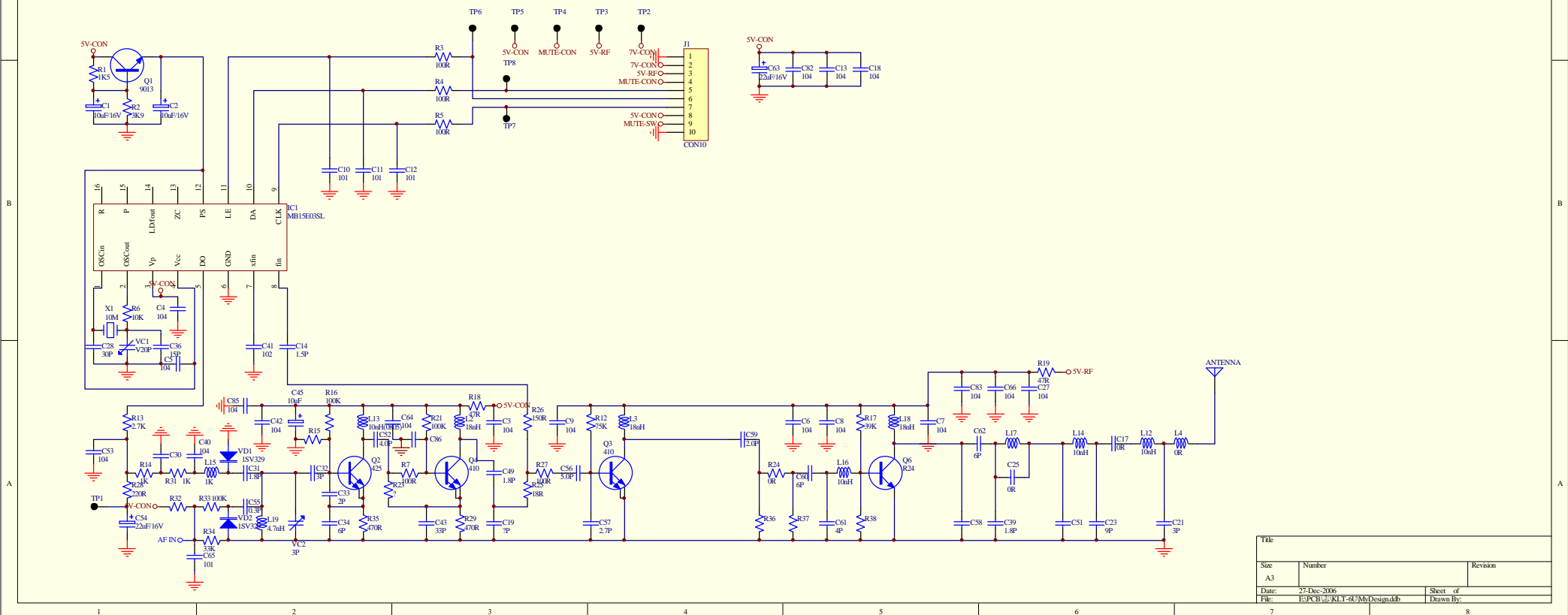


	R8	R9	R10	R11	R22	R39
头戴	贴		贴		贴	
喇叭	贴		贴		贴	
其它		贴		贴		贴



Title		
Size	Number	Revision
A3		
Date:	27-Dec-2006	Sheet of
File:	E:\PCB\高\RLT-6U\MyDesign.ddb	1
	Drawn By:	

