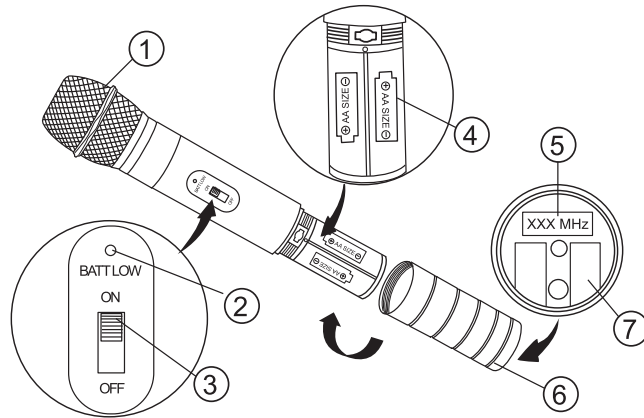
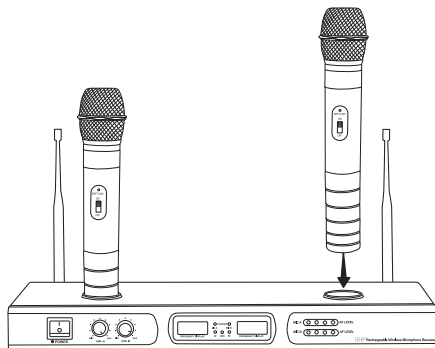


MICROPHONE-TRANSMITTER FEATURES



1. **Grille** : Protects the microphone cartridge and helps reduce breath sounds and wind noise. The grilles for the various microphone heads differ in appearance.
2. **Power and Audio Mute Switch** : put the switch to ON position, the indicator shines for a moment. Put the switch to "MUTE", Allows muting of the microphone audio, avoiding the "thump" noise that can occur when turning of the microphone audio. It is recessed to prevent it from being accidentally turned off.
3. **Low Battery Indicator** : A red light glows when there is one hour or less of useful operating time, allowing battery to be changed before power is depleted.
4. **9V/1.5V Battery (shown installed)**: Provides power to the microphone-transmitter.
5. **Frequency Mark** :carrier frequency of trans mitter.
6. **Battery Cover** : Unscrews for access to the battery and gain control.
7. **Charging Contact**: Connect the system power and the battery.

MICROPHONE RECHARGING FEATURE



1. When the Hand-held MIC-A & MIC-B are lack of power, please put them into the rechargeable sockets uprightly and recharge.
2. Get through system power, and turn on the receiver switch, at this time, the "PWR" light & "RECHARGER" lights will on.
3. The recharging LED indicator glows red and the system is in automatic recharge status; The LED turns green when the recharge working is finished.
4. Rated recharge time: Not less than 4 hours.

HAND-HELD TRANSMITTER SPECIFICATIONS

Power Requirements	1.5V AA battery
Nominal Current Drain	LESS THAN 40mA
Modulation Type	FM
RF Output	MORE THAN 10dBm
Max Deviation	± 30KHz
Spurious Emission	MORE THAN 55dB

