



Antenna Specifications:

Product Name: 2.4GHz Dipole with 100 mm 1.13 Cable

ACON P/N: ADA3I-3K52205

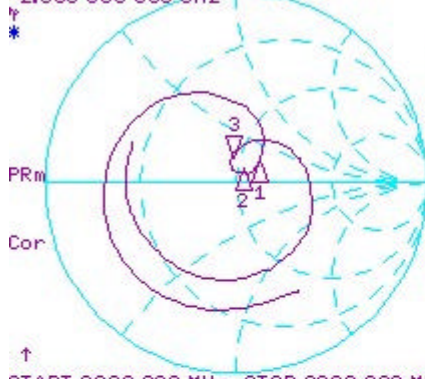
Electrical performance:

| | |
|---------------|---------------------------|
| Frequency: | 2.4 ~2.5GHz |
| Return Loss: | < -10dB @ 50 ohms |
| VSWR: | < 2.0 @ 50 ohms |
| Antenna Gain: | 2.0dBi (Omni-directional) |
| Polarization: | Linear Vertical |
| | |

Mechanical performance:

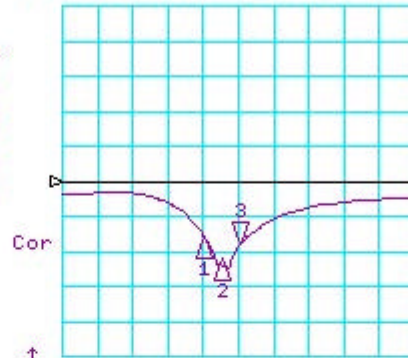
| | |
|--------------|---------------|
| Material: | TPU |
| Color: | Black |
| Connector: | MHF Connector |
| Temperature: | -20 ~ +60 |
| Dimension: | 9.0*104.6mm |
| | |

3 Oct 2003 14:29:56

 CH1 S22 1 U FS
 3: 46.424 Ω 11.936 Ω 759.84 pF
 2.500 000 000 GHz


CH1 Markers

 1: 60.750 Ω
 14.227 Ω
 2.40000 GHz
 2: 52.088 Ω
 7.3555 Ω
 2.45000 GHz

 CH3 LOG 10 dB/ REF 0 dB
 S22 3: -17.839 dB 2.500 000 000 GHz


CH3 Markers

 1: -15.929 dB
 2.40000 GHz
 2: -22.530 dB
 2.45000 GHz

START 2000.000 MHz STOP 3000.000 MHz

START 2000.000 MHz STOP 3000.000 MHz

CH2 S22 SWR 1 / REF 1 3: 1.2942 2.500 000 000 GHz

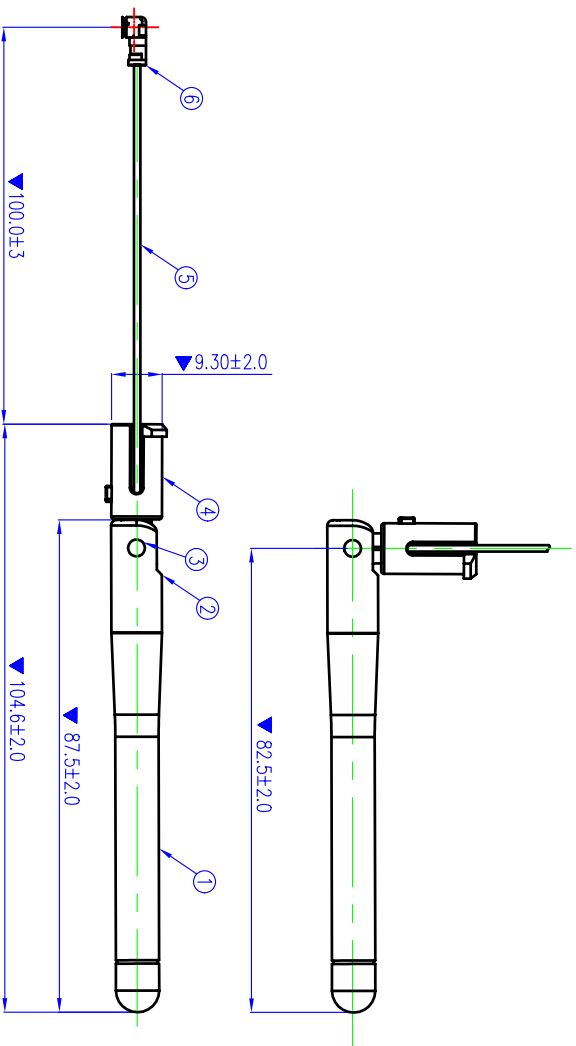


CH2 Markers

 1: 1.3803
 2.40000 GHz
 2: 1.1615
 2.45000 GHz

START 2.000 000 000 GHz STOP 3.000 000 000 GHz

| REV. | DESCRIPTION | DRAWN/DATE | CHECK/DATE | APPROVED/DATE |
|------|----------------------------|-------------------|------------|---------------|
| A | NEW RELEASE FOR MECR-03150 | eric.ho 10/03/03' | | |
| | | | | |
| | | | | |



- Note:
- 1.Frequency: 2.4GHz ~ 2.5GHz
 - 2.VSWR: 2.0 or Less
 - 3.Omnidirection
 - 4.Antenna Gain: 2dBi
 - 5.ACON P/N: ADA3I-3K52205

| NO. | Description | QTY | Remark |
|-----|---------------|-----|---------------------|
| 1 | Antenna Cover | 1 | |
| 2 | Upper Base | 1 | ABS ; Black |
| 3 | Rivet | 2 | POM ; Black |
| 4 | Bottom Base | 1 | ABS ; Black |
| 5 | Cable | 1 | Nilssei 1.13L 100mm |
| 6 | Connector | 1 | I-pex for 1.13 |

| GENERAL TOLERANCE | ANGLE TOLERANCE | DRAWN | DATE | TITLE |
|-------------------|-----------------|---------|-----------|--|
| X. ±1.0 | X'. ±3.0' | eric.ho | 10/03/03' | 2.4GHz Dipole 100mm 1.13 Cable (Customer Drawing) |
| .X ±0.5 | .X' ±2.0' | eric.ho | DATE | |
| .XXX ±0.1 | .XX' ±1.0' | CHECKED | DATE | |

| SCALE | UNIT | CHECKED | DATE | DRAWING NO. | SIZE |
|-------|------|---------|------|---------------|------|
| 1 : 1 | mm | | | ADA3I-3K52205 | A4 |

| APPROVED | DATE | REV. |
|----------|------|------|
| | | A |



DRAWING NO. ADA3I-3K52205
 SIZE A4
 REV. A

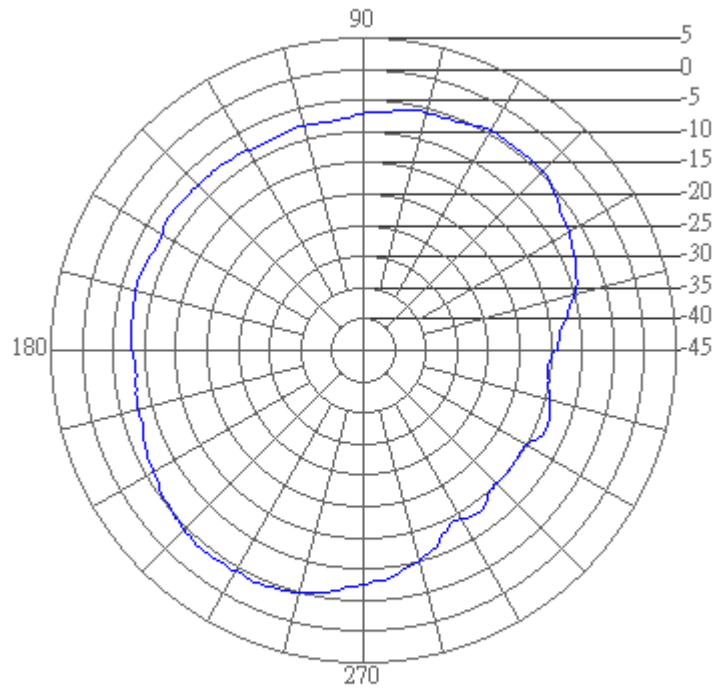
Number 60



H-PLAN 2400

C&C LABORATORY CO.,LTD

H Plane



Frequency 2400.00 MHz

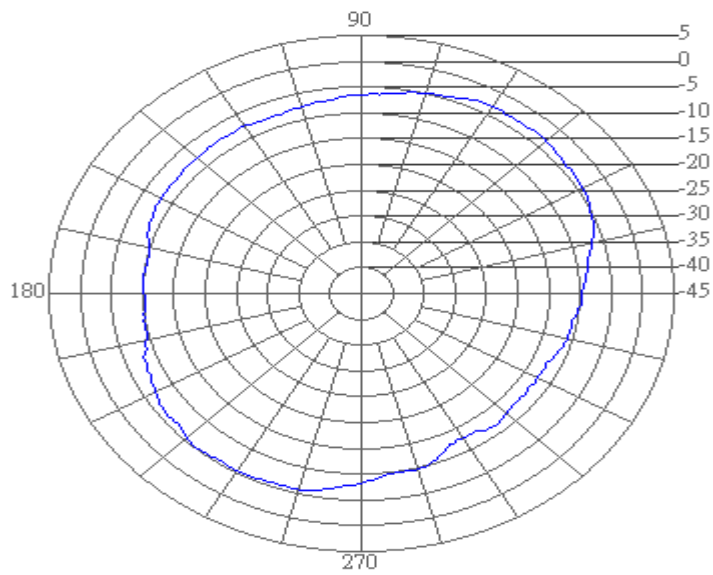
Average Gain= -8.42 Max Gain= -3.96 Min Gain= -15.29

Custom Name: 連展-60
Model Name: 2400MHz_0

2450

C&C LABORATORY CO.,LTD

H Plane



Frequency 2450.00 MHz

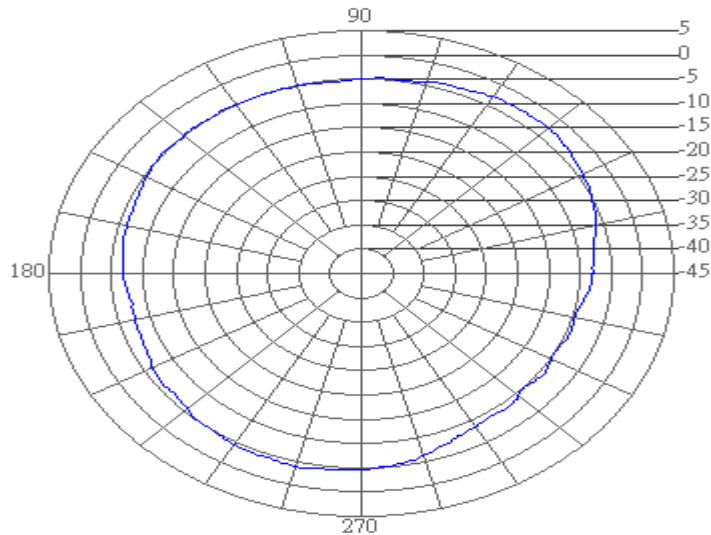
Average Gain= -7.88 Max Gain= -3.13 Min Gain= -12.63

Custom Name: 連展-60
Model Name: 2450MHz_0

2500

C&C LABORATORY CO.,LTD

H Plane



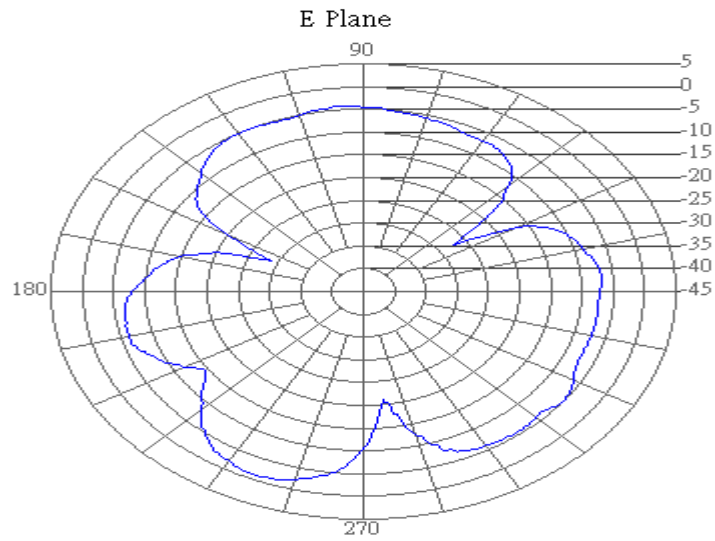
Frequency 2500.00 MHz

Average Gain= -5.95 Max Gain= -2.63 Min Gain= -10.13

Custom Name: 連展-60
Model Name: 2500MHz_0

E-PLAN 2400

C&C LABORATORY CO.,LTD



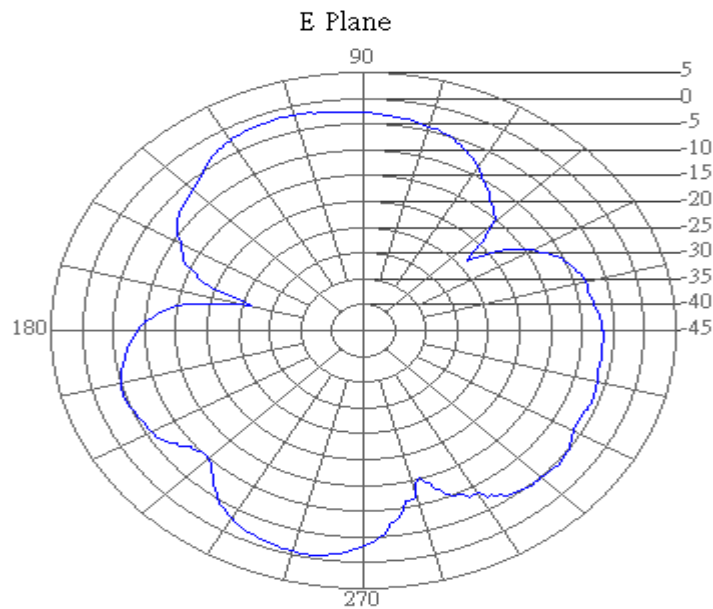
Frequency 2400.00 MHz

Average Gain= -8.67 Max Gain= -1.13 Min Gain= -28.63

Custom Name: 連展-60
Model Name: 2400MHz_0

2450

C&C LABORATORY CO.,LTD



Frequency 2450.00 MHz

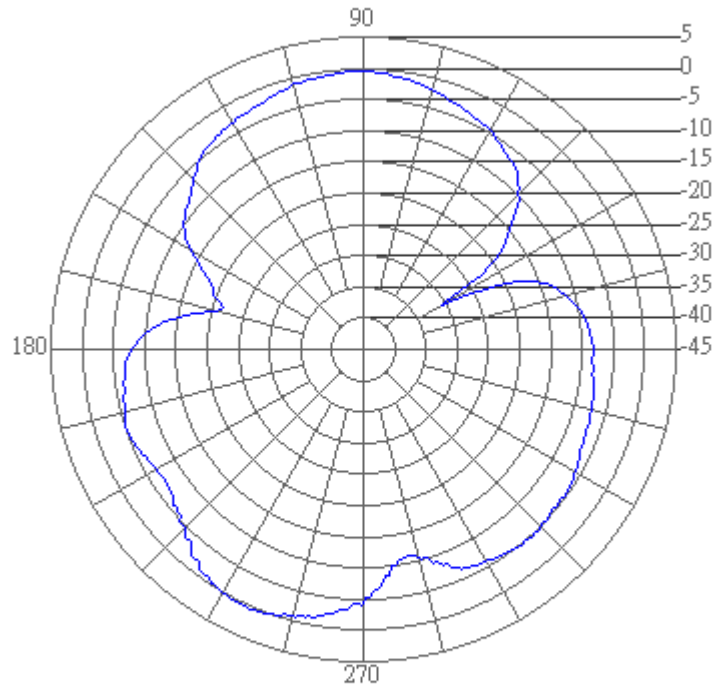
Average Gain= -7.39 Max Gain= -0.63 Min Gain= -26.29

Custom Name: 連展-60
Model Name: 2450MHz_0

2500

C&C LABORATORY CO.,LTD

E Plane



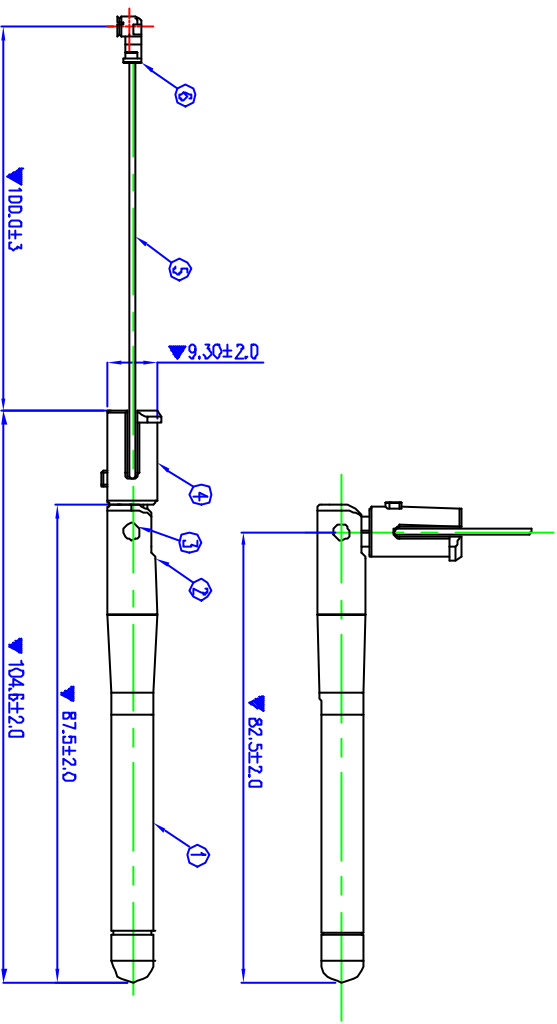
Frequency 2500.00 MHz

Average Gain= -7.03 Max Gain= 0.21 Min Gain= -30.79

Custom Name: 連展-60

Model Name: 2500MHz_0

| REV. | DESCRIPTION | DRAWN/DATE | CHECK/DATE | APPROVED/DATE |
|------|----------------------|--------------------|------------|---------------|
| A | NEW RELEASE FOR MGR- | enr:hc 10/03/03 | | |
| | | | | |
| | | | | |



- Note:
- 1.Frequency: 2.4GHz ~ 2.5GHz
 - 2.VSWR: 2.0 or Less
 - 3.Omni-direction
 - 4.Antenna Gain: 1dBi
 - 5.ACON P/N: ADA3I-3K52205

| NO. | Description | QTY | Remark |
|-----|---------------|-----|---------------------|
| 1 | Antenna Cover | 1 | |
| 2 | Upper Base | 1 | ABS ; Black |
| 3 | Rivet | 2 | PPM ; Black |
| 4 | Bottom Base | 1 | ABS ; Black |
| 5 | Cable | 1 | Nissei 1.13;L 100mm |
| 6 | Connector | 1 | 1-pek for 1.13 |

| GENERAL TOLERANCE | ANGLE TOLERANCE | DRAWN | DATE | TITLE |
|-------------------|-----------------|----------|----------|--|
| X: ±1.0 | DR: ±0.5 | enr:hc | 10/03/03 | 2.4GHz Dipole Balun 1.13 Cable (Customer Drawing) |
| XX: ±0.5 | XX: ±0.2 | enr:hc | DATE | |
| XXX: ±0.1 | XXX: ±0.1 | enr:hc | 10/03/03 | |
| SCALE | UNIT | CHECKED | DATE | DRAWING NO. |
| 1 : 1 | MM | | | ADA3I-3K52205 |
| SHEET 1 OF 1 | | APPROVED | DATE | SIZE A4 |
| | | | | REV. A |

A
B
C
D

1 2 3 4

1 2 3 4

1 2 3 4

A
B
C
D