

Single chip transceiver for 2.45 GHz ISM band

SA2400A

BLOCK DIAGRAM

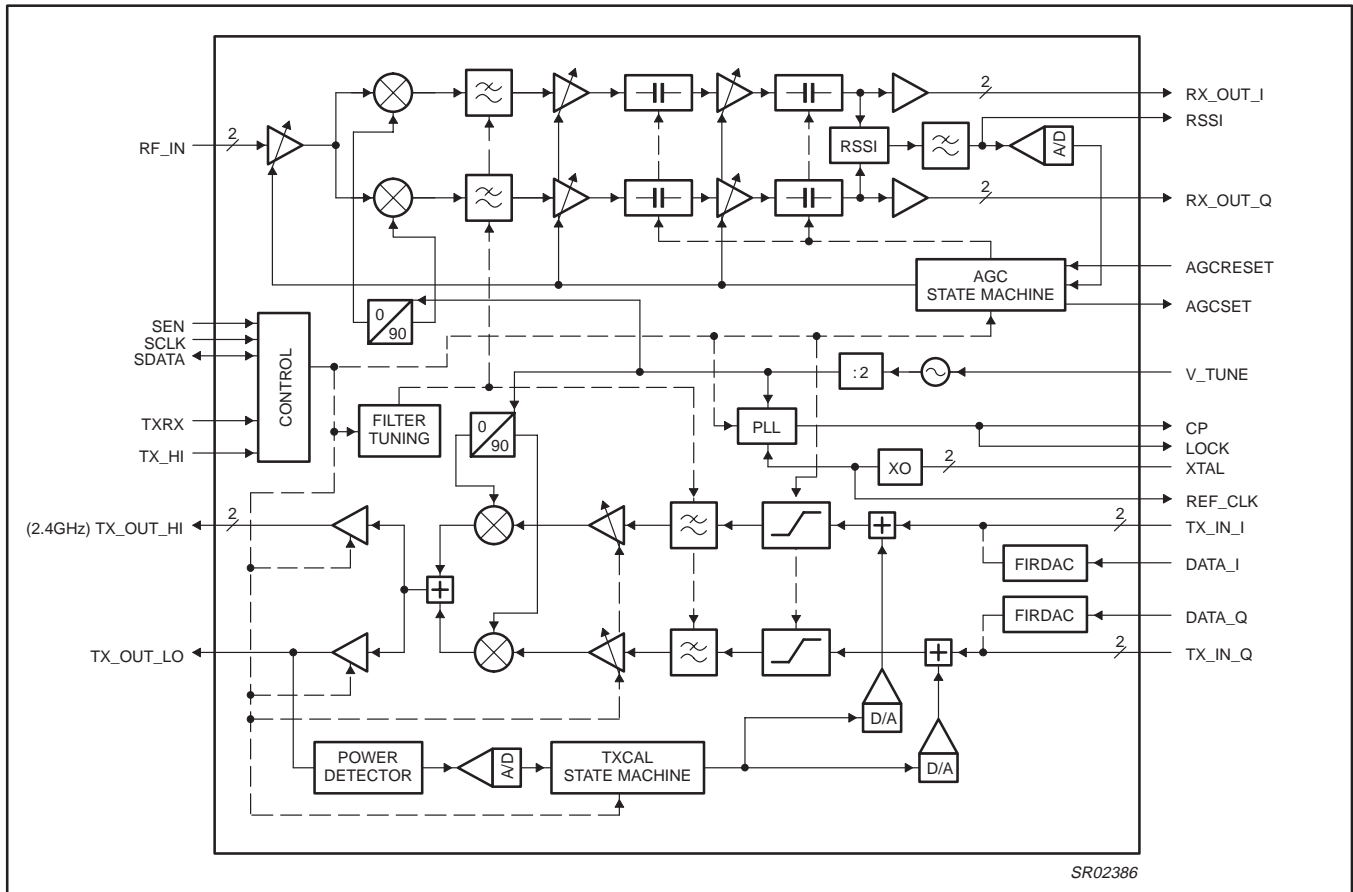


Figure 1. SA2400A functional block diagram.