

# FCC Test Report

## FCC ID: QRP-SP-027

**Product:** Mobile Phone  
**Trade Mark:** AZUMI  
**Model Number:** V65+  
**Family Model:** V65  
**Report No.:** S22012500601006

**Prepared for**

Azumi S.A

Avenida Aquilino de la Guardia con Calle 47, PH Ocean Plaza, Piso  
16 of. 16-01, Marbella, Ciudad de Panama, Panama

**Prepared by**

Shenzhen NTEK Testing Technology Co., Ltd.  
1/F, Building E, Fenda Science Park, Sanwei Community,  
Xixiang Street Bao'an District, Shenzhen P.R. China  
Tel. 400-800-6106, 0755-2320 0050, 0755-2320 0090  
Website: <http://www.ntek.org.cn>

TEST RESULT CERTIFICATION

Applicant's name..... : Azumi S.A
Address ..... : Avenida Aquilino de la Guardia con Calle 47, PH Ocean Plaza,
Piso 16 of. 16-01, Marbella,Ciudad de Panama, Panama
Manufacturer's Name..... : AZUMI HK LTD
Address ..... : FLAT/RM 18 BLK 1 14/F GOLDEN INDUSTRIAL BUILDING
16-26 KWAI TAK STREET KWAI CHUNG, HK

Product description

Product name..... : Mobile Phone
Model and/or type reference : V65+
Family Model..... : V65

Standards..... : FCC Part15B
ANSI C63.4:2014

This device described above has been tested by NTEK, and the test results show that the equipment under test (EUT) is in compliance with Part 15 of FCC Rules. And it is applicable only to the tested sample identified in the report.

This report shall not be reproduced except in full, without the written approval of NTEK, this document may be altered or revised by NTEK, personnel only, and shall be noted in the revision of the document.

Date of Test ..... :
Date (s) of performance of tests..... : Jan 26. 2022 ~ Feb 21, 2022
Date of Issue ..... : Feb 23, 2022
Test Result ..... : Pass

Testing Engineer : [Signature]
(Allen Liu)

Authorized Signatory : [Signature]
(Alex Li)

**Table of Contents**

**Page**

<b>1 . TEST SUMMARY</b>	<b>4</b>
1.1 TEST FACILITY	5
1.2 MEASUREMENT UNCERTAINTY	5
<b>2 . GENERAL INFORMATION</b>	<b>6</b>
2.1 GENERAL DESCRIPTION OF EUT	6
2.2 DESCRIPTION OF TEST SETUP	8
2.3 DESCRIPTION TEST PERIPHERAL AND EUT PERIPHERAL	9
2.4 MEASUREMENT INSTRUMENTS LIST	10
<b>3 . EMC EMISSION TEST</b>	<b>11</b>
3.1 CONDUCTED EMISSION MEASUREMENT	11
3.1.1 POWER LINE CONDUCTED EMISSION	11
3.1.2 TEST PROCEDURE	12
3.1.3 TEST SETUP	12
3.1.4 EUT OPERATING CONDITIONS	12
3.1.5 TEST RESULTS	13
3.2 RADIATED EMISSION MEASUREMENT	17
3.2.1 LIMITS OF RADIATED EMISSION MEASUREMENT	17
3.2.2 TEST PROCEDURE	17
3.2.3 TEST SETUP	18
3.2.4 TEST RESULTS	19
3.2.5 TEST RESULTS(1000~18000MHz)	23

### 1. TEST SUMMARY

Test procedures according to the technical standards:

EMC Emission				
Standard	Test Item	Limit	Judgment	Remark
FCC Part15B ANSI C63.4: 2014	Conducted Emission	Class B	PASS	
	Radiated Emission	Class B	PASS	

NOTE:

- (1) 'N/A' denotes test is not applicable in this Test Report
- (2) For client's request and manual description, the test will not be executed.



## 2. GENERAL INFORMATION

### 2.1 GENERAL DESCRIPTION OF EUT

Equipment	Mobile Phone	
Trade Mark	AZUMI	
Model Name	V65+	
Family Model	V65	
Model Difference	All the model are the same circuit and RF module, except the memory	
Product Description	Connecting I/O port:	Micro USB, Earphone
	Operation Frequency:	2.4GHz
	Based on the application, features, or specification exhibited in User's Manual, the EUT is considered as an ITE/Computing Device. More details of EUT technical specification, please refer to the User's Manual.	
Adapter	INPUT: AC 110-240V~50-60Hz 0.3A OUTPUT: DC 5.0V $\overline{\text{---}}$ 1.5A	
Battery	DC 3.8V, 3950mAh	
Power supply	DC 3.8V from battery or DC 5V from Adapter.	
HW Version	AZUMI_V65+_CLARO_V001	
SW Version	AZUMI_V65+_CLARO_V001_20220223	

### 2.1.1 DESCRIPTION OF TEST MODES

To investigate the maximum EMI emission characteristics generated from EUT, the test system was pre-scanning tested based on the consideration of following EUT operation mode or test configuration mode which possibly have effect on EMI emission level. Each of these EUT operation mode(s) or test configuration mode(s) mentioned above was evaluated respectively.

Pretest Mode	Description
Mode 1	USB Data Transmission
Mode 2	TF card Playing
Mode 3	REC
Mode 4	FM
Mode 5	GPS

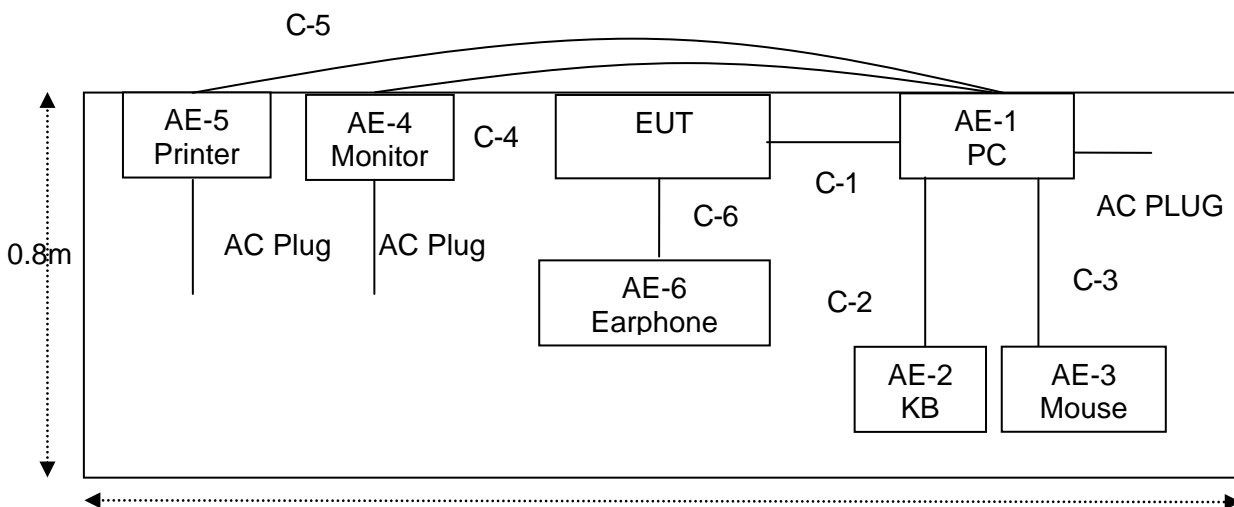
For Conducted Test	
Final Test Mode	Description
Mode 1	USB Data Transmission
Mode 2	TF card Playing
Mode 3	REC
Mode 4	FM
Mode 5	GPS

For Radiated Test	
Final Test Mode	Description
Mode 1	USB Data Transmission
Mode 2	TF card Playing
Mode 3	REC
Mode 4	FM
Mode 5	GPS

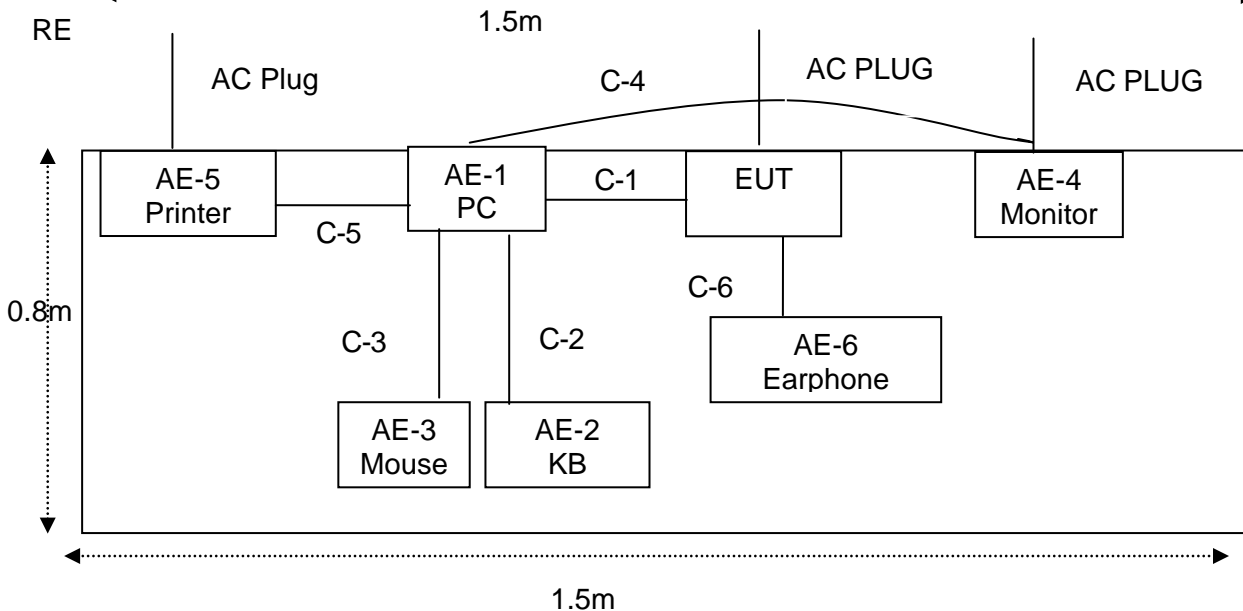
Note: Final Test Mode: Through Pre-scan, find the mode 1 is the worst case. Only the worst case mode is recorded in the report.

2.2 DESCRIPTION OF TEST SETUP

CE



RE





### 2.3 DESCRIPTION TEST PERIPHERAL AND EUT PERIPHERAL

The EUT has been tested as an independent unit together with other necessary accessories or support units. The following support units or accessories were used to form a representative test configuration during the tests.

Item	Equipment	Brand	Model/Type No.	Series No.	Note
AE-1	PC	DELL	FT4Y23X	N/A	Peripherals
AE-2	KB	N/A	N/A	N/A	Peripherals
AE-3	Mouse	DELL	MS111-P	N/A	Peripherals
AE-4	Monitor	DELL	IN2020MB	N/A	Peripherals
AE-5	Printer	Canon	L11121E	N/A	Peripherals
AE-6	Earphone	N/A	N/A	N/A	Peripherals

Item	Cable Type	Shielded Type	Ferrite Core	Length	Note
C-1	USB Cable	NO	NO	0.9m	
C-2	USB Cable	NO	NO	1.2m	
C-3	USB Cable	NO	NO	1.2m	
C-4	HDMI Cable	YES	YES	1.0m	
C-5	USB Cable	NO	NO	1.2m	
C-6	Earphone Cable	NO	NO	1.2m	

**Note:**

- (1) The support equipment was authorized by Declaration of Confirmation.
- (2) For detachable type I/O cable should be specified the length in cm in 『Length』 column.
- (3) “YES” means “shielded” “with core”; “NO” means “unshielded” “without core”.

**2.4 MEASUREMENT INSTRUMENTS LIST**
**Radiation Test equipment**

Item	Kind of Equipment	Manufacturer	Type No.	Serial No.	Last calibration	Calibrated until	Calibration period
1	Spectrum Analyzer	Agilent	E4407B	MY45108040	2021.04.27	2022.04.26	1 year
2	Test Receiver	R&S	ESPI	101318	2021.04.27	2022.04.26	1 year
3	Bilog Antenna	TESEQ	CBL6111D	31216	2021.03.29	2022.03.28	1 year
4	50Ω Coaxial Switch	Anritsu	MP59B	6200264416	2021.04.27	2022.04.26	1 year
5	Spectrum Analyzer	ADVANTEST	R3132	150900201	2021.04.27	2022.04.26	1 year
6	Horn Antenna	EM	EM-AH-10180	2011071402	2021.03.29	2022.03.28	1 year
7	Horn Ant	Schwarzbeck	BBHA 9170	9170-181	2021.04.27	2022.04.26	1 year
8	Amplifier	EMC	EMC051835SE	980246	2021.04.27	2022.04.26	1 year
9	Loop Antenna	ARA	PLA-1030/B	1029	2021.04.27	2022.04.26	1 year
10	Power Meter	DARE	RPR3006W	15I00041S NO84	2021.04.27	2022.04.26	1 year
11	Power Sensor	R&S	URV4-Z4	0395.1619.05	2021.04.27	2022.04.26	1 year
12	Test Cable (30MHz-1GHz)	N/A	R-02	N/A	2019.06.28	2022.06.27	3 year
13	High Test Cable(1G-40GHz)	N/A	R-03	N/A	2019.06.28	2022.06.27	3 year
14	High Test Cable(1G-40GHz)	N/A	R-04	N/A	2019.06.28	2022.06.27	3 year
15	Test Receiver	R&S	ESCI	101160	2021.04.27	2022.04.26	1 year

**AC Conduction Test equipment**

Item	Kind of Equipment	Manufacturer	Type No.	Serial No.	Last calibration	Calibrated until	Calibration period
1	Test Receiver	R&S	ESCI	101160	2021.04.27	2022.04.26	1 year
2	LISN	R&S	ENV216	101313	2021.04.27	2022.04.26	1 year
3	LISN	SCHWARZBECK	NNLK 8129	8129245	2021.04.27	2022.04.26	1 year
4	50Ω Coaxial Switch	ANRITSU CORP	MP59B	6200983704	2020.05.11	2023.05.10	3 year
5	Test Cable (9KHz-30MHz)	N/A	C01	N/A	2020.05.11	2023.05.10	3 year
6	Test Cable (9KHz-30MHz)	N/A	C02	N/A	2020.05.11	2023.05.10	3 year
7	Test Cable (9KHz-30MHz)	N/A	C03	N/A	2020.05.11	2023.05.10	3 year

Note: Each piece of equipment is scheduled for calibration once a year except the Test Cable which is scheduled for calibration every 3 years.

### 3. EMC EMISSION TEST

#### 3.1 CONDUCTED EMISSION MEASUREMENT

##### 3.1.1 POWER LINE CONDUCTED EMISSION (Frequency Range 150KHz-30MHz)

FREQUENCY (MHz)	Class A (dBuV)		Class B (dBuV)	
	Quasi-peak	Average	Quasi-peak	Average
0.15 -0.5	79.00	66.00	66 - 56 *	56 - 46 *
0.50 -5.0	73.00	60.00	56.00	46.00
5.0 -30.0	73.00	60.00	60.00	50.00

Note:

- (1) The tighter limit applies at the band edges.
- (2) The limit of " \* " marked band means the limitation decreases linearly with the logarithm of the frequency in the range.

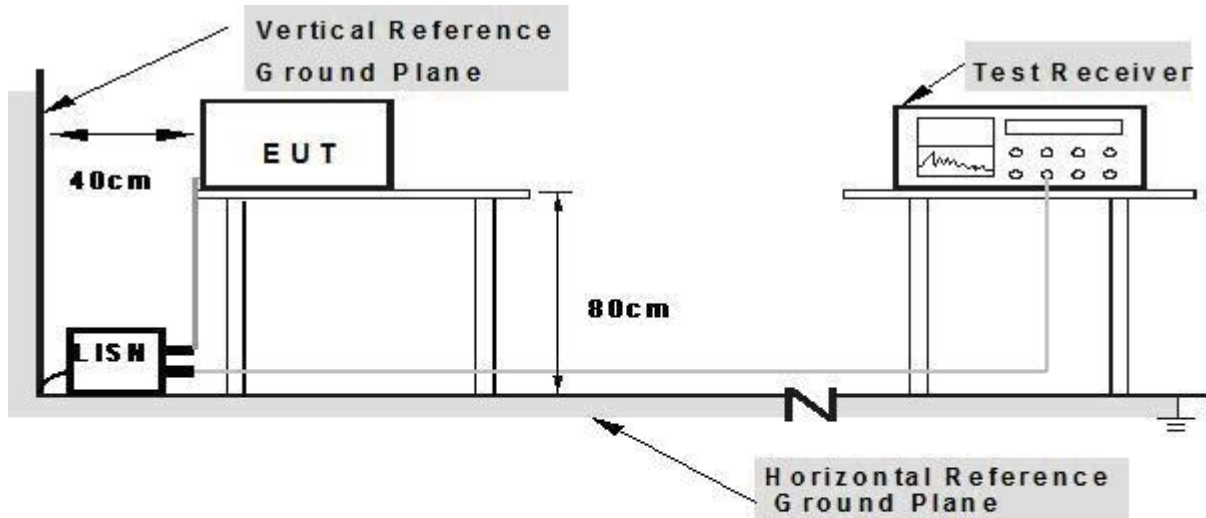
The following table is the setting of the receiver

Receiver Parameters	Setting
Attenuation	10 dB
Start Frequency	0.15 MHz
Stop Frequency	30 MHz
IF Bandwidth	9 kHz

### 3.1.2 TEST PROCEDURE

- a. The EUT was placed 0.8 meters from the horizontal ground plane with EUT being connected to the power mains through a line impedance stabilization network (LISN). All other support equipments powered from additional LISN(s). The LISN provide 50 Ohm/ 50uH of coupling impedance for the measuring instrument.
- b. Interconnecting cables that hang closer than 40 cm to the ground plane shall be folded back and forth in the center forming a bundle 30 to 40 cm long.
- c. I/O cables that are not connected to a peripheral shall be bundled in the center. The end of the cable may be terminated, if required, using the correct terminating impedance. The overall length shall not exceed 1 m.
- d. LISN at least 80 cm from nearest part of EUT chassis.
- e. For the actual test configuration, please refer to the related Item –EUT Test Photos.

### 3.1.3 TEST SETUP



- Note: 1. Support units were connected to second LISN.**  
**2. Both of LISNs (AMN) are 80 cm from EUT and at least 80 cm from other units and other metal planes**

### 3.1.4 EUT OPERATING CONDITIONS

The EUT tested system was configured as the statements of 2.3 Unless otherwise a special operating condition is specified in the follows during the testing.

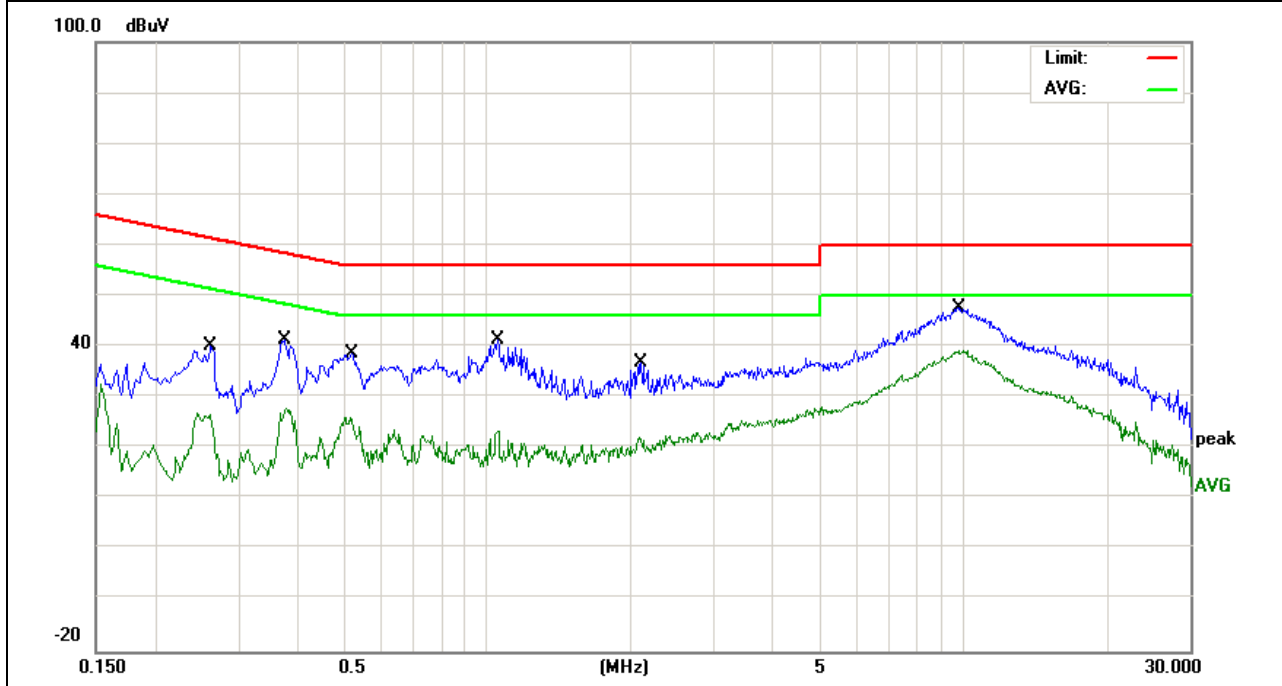
### 3.1.5 TEST RESULTS

EUT:	Mobile Phone	Model Name. :	V65(2+32GB)
Temperature:	24.5 °C	Relative Humidity:	52%
Pressure:	1010hPa	Test Date:	2022-02-15
Test Mode:	Mode 1	Phase :	L
Test Voltage:	DC 5V from PC AC 120V/60Hz		

Frequency (MHz)	Reading Level (dBμV)	Correct Factor (dB)	Measurement (dBμV)	Limits (dBμV)	Margin (dB)	Remark
0.2620	30.57	9.63	40.20	61.36	-21.16	QP
0.2620	20.39	9.63	30.02	51.36	-21.34	AVG
0.3738	31.76	9.64	41.40	58.41	-17.01	QP
0.3738	21.72	9.64	31.36	48.41	-17.05	AVG
0.5181	28.87	9.65	38.52	56.00	-17.48	QP
0.5181	19.00	9.65	28.65	46.00	-17.35	AVG
1.0540	31.54	9.75	41.29	56.00	-14.71	QP
1.0540	21.83	9.75	31.58	46.00	-14.42	AVG
2.1018	27.01	9.75	36.76	56.00	-19.24	QP
2.1018	16.94	9.75	26.69	46.00	-19.31	AVG
9.7659	37.85	9.71	47.56	60.00	-12.44	QP
9.7659	27.40	9.71	37.11	50.00	-12.89	AVG

Remark:

1. All readings are Quasi-Peak and Average values.
2. Factor = Insertion Loss + Cable Loss.

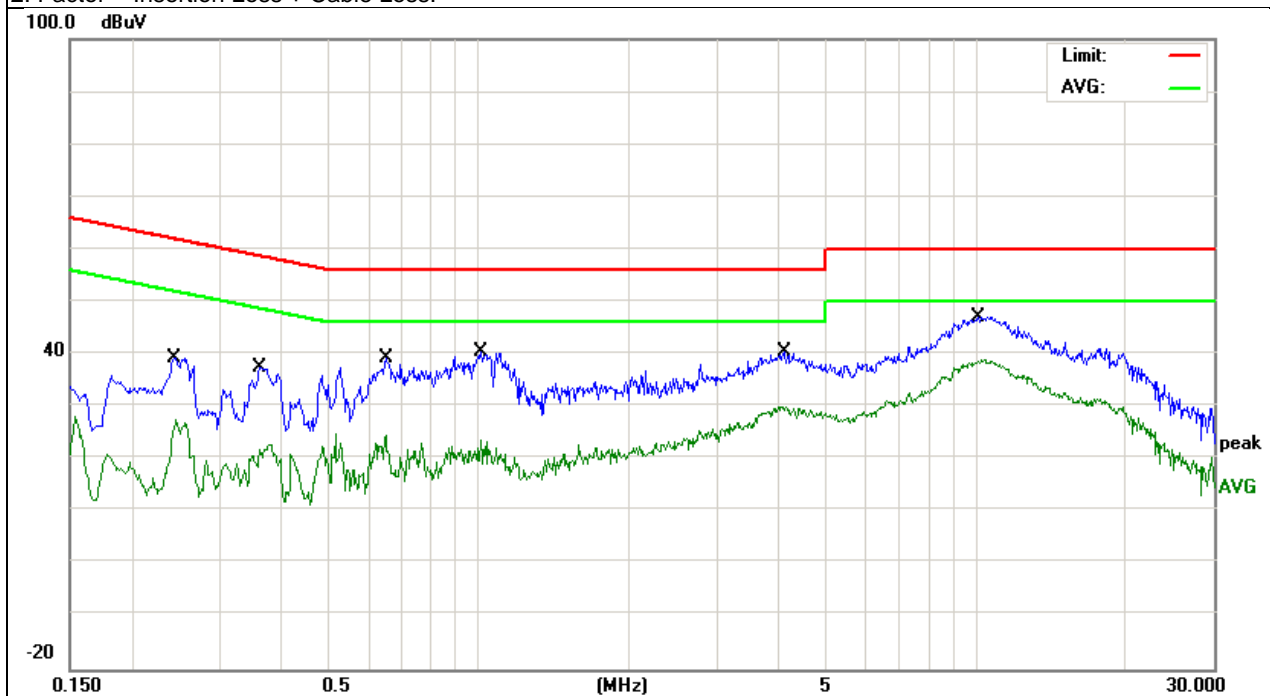


EUT:	Mobile Phone	Model Name. :	V65(2+32GB)
Temperature:	24.5 °C	Relative Humidity:	52%
Pressure:	1010hPa	Test Date:	2022-02-15
Test Mode:	Mode 1	Phase :	N
Test Voltage:	DC 5V from PC AC 120V/60Hz		

Frequency (MHz)	Reading Level (dBμV)	Correct Factor (dB)	Measure-ment (dBμV)	Limits (dBμV)	Margin (dB)	Remark
0.2429	29.67	9.64	39.31	61.99	-22.68	QP
0.2429	19.69	9.64	29.33	51.99	-22.66	AVG
0.3619	27.81	9.69	37.50	58.68	-21.18	QP
0.3619	17.56	9.69	27.25	48.68	-21.43	AVG
0.6500	29.64	9.66	39.30	56.00	-16.70	QP
0.6500	20.00	9.66	29.66	46.00	-16.34	AVG
1.0100	30.63	9.75	40.38	56.00	-15.62	QP
1.0100	20.40	9.75	30.15	46.00	-15.85	AVG
4.0979	30.54	9.77	40.31	56.00	-15.69	QP
4.0979	20.59	9.77	30.36	46.00	-15.64	AVG
10.0859	37.37	9.81	47.18	60.00	-12.82	QP
10.0859	27.34	9.81	37.15	50.00	-12.85	AVG

Remark:

1. All readings are Quasi-Peak and Average values.
2. Factor = Insertion Loss + Cable Loss.

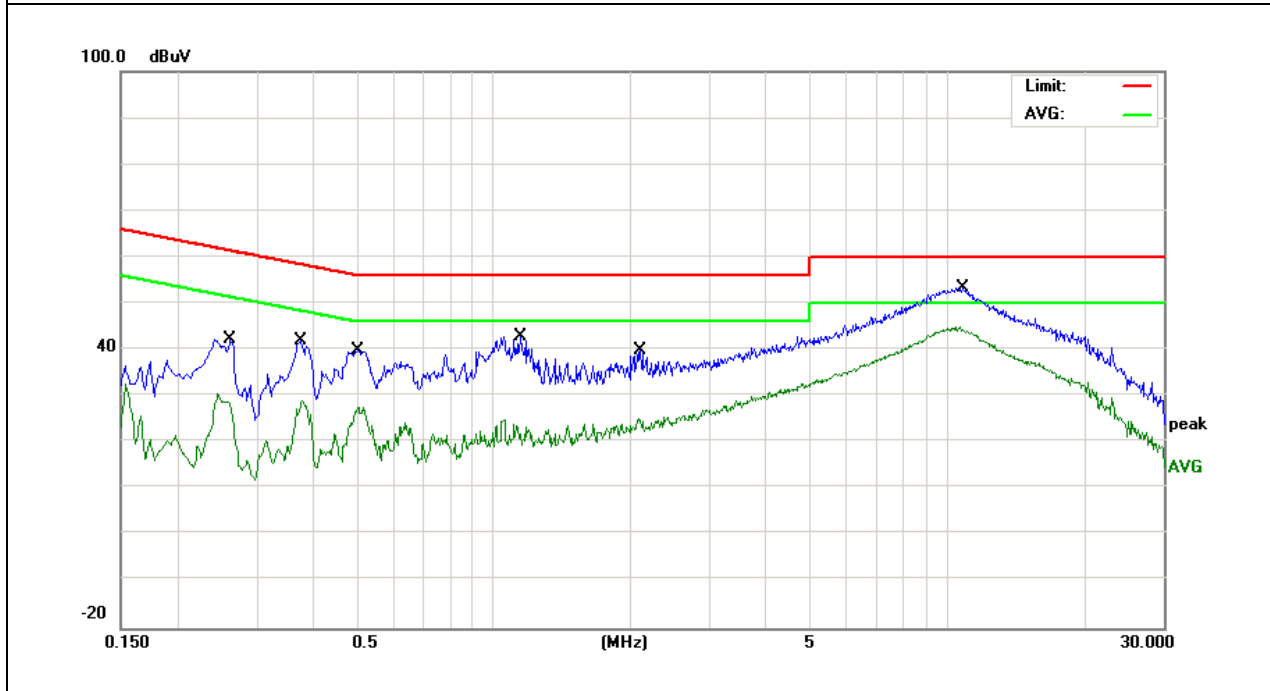


EUT:	Mobile Phone	Model Name. :	V65+(4+64GB)
Temperature:	24.5 °C	Relative Humidity:	52%
Pressure:	1010hPa	Test Date:	2022-02-15
Test Mode:	Mode 1	Phase :	L
Test Voltage:	DC 5V from PC AC 120V/60Hz		

Frequency (MHz)	Reading Level (dBμV)	Correct Factor (dB)	Measurement (dBμV)	Limits (dBμV)	Margin (dB)	Remark
0.2620	32.57	9.63	42.20	61.36	-19.16	QP
0.2620	20.92	9.63	30.55	51.36	-20.81	AVG
0.3740	32.26	9.64	41.90	58.41	-16.51	QP
0.3740	21.68	9.64	31.32	48.41	-17.09	AVG
0.5020	30.16	9.64	39.80	56.00	-16.20	QP
0.5020	19.94	9.64	29.58	46.00	-16.42	AVG
1.1420	33.07	9.75	42.82	56.00	-13.18	QP
1.1420	21.74	9.75	31.49	46.00	-14.51	AVG
2.1020	30.01	9.75	39.76	56.00	-16.24	QP
2.1020	19.80	9.75	29.55	46.00	-16.45	AVG
10.8060	43.61	9.73	53.34	60.00	-6.66	QP
10.8060	35.17	9.73	44.90	50.00	-5.10	AVG

Remark:

1. All readings are Quasi-Peak and Average values.
2. Factor = Insertion Loss + Cable Loss.

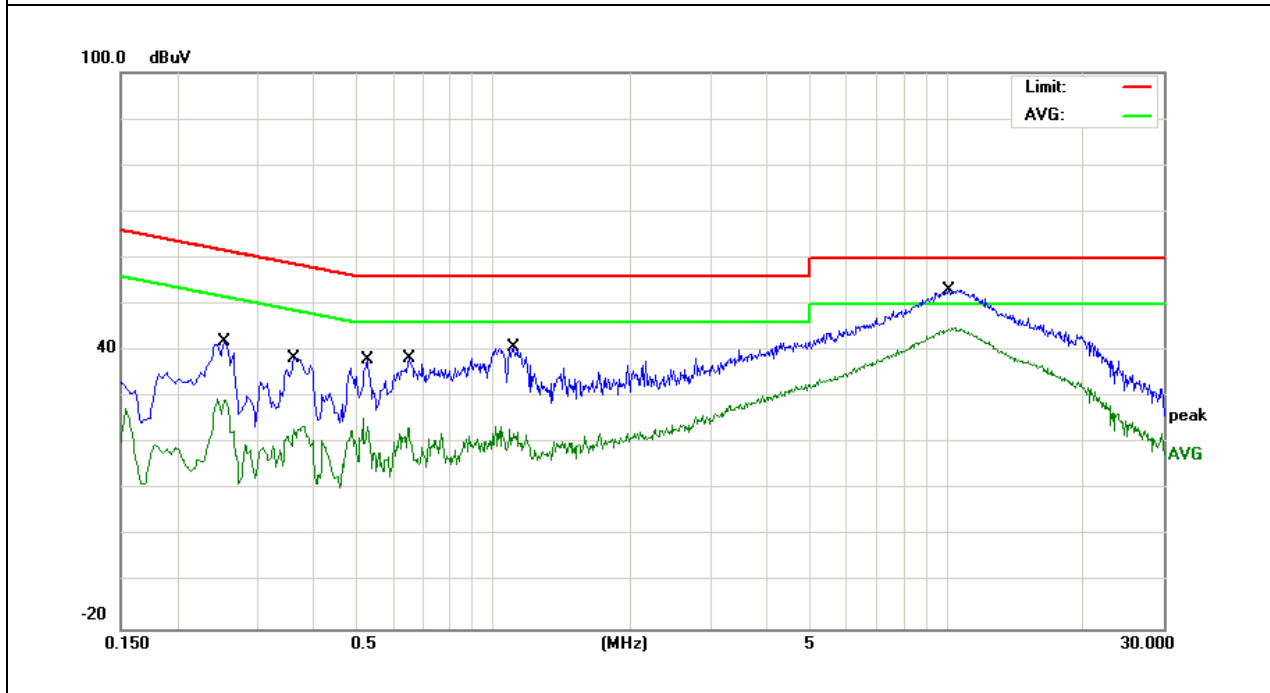


EUT:	Mobile Phone	Model Name. :	V65+(4+64GB)
Temperature:	24.5 °C	Relative Humidity:	52%
Pressure:	1010hPa	Test Date:	2022-02-15
Test Mode:	Mode 1	Phase :	N
Test Voltage:	DC 5V from PC AC 120V/60Hz		

Frequency (MHz)	Reading Level (dBμV)	Correct Factor (dB)	Measurement (dBμV)	Limits (dBμV)	Margin (dB)	Remark
0.2540	32.26	9.65	41.91	61.62	-19.71	QP
0.2540	20.00	9.65	29.65	51.62	-21.97	AVG
0.3620	28.81	9.69	38.50	58.68	-20.18	QP
0.3620	18.56	9.69	28.25	48.68	-20.43	AVG
0.5260	28.35	9.73	38.08	56.00	-17.92	QP
0.5260	19.60	9.73	29.33	46.00	-16.67	AVG
0.6500	28.64	9.66	38.30	56.00	-17.70	QP
0.6500	18.81	9.66	28.47	46.00	-17.53	AVG
1.1100	31.14	9.74	40.88	56.00	-15.12	QP
1.1100	14.10	9.74	23.84	46.00	-22.16	AVG
10.0860	43.37	9.81	53.18	60.00	-6.82	QP
10.0860	35.23	9.81	45.04	50.00	-4.96	AVG

Remark:

1. All readings are Quasi-Peak and Average values.
2. Factor = Insertion Loss + Cable Loss.





### 3.2 RADIATED EMISSION MEASUREMENT

#### 3.2.1 LIMITS OF RADIATED EMISSION MEASUREMENT

FREQUENCY (MHz)	Class A (at 10m)	Class B (at 3m)
	dBuV/m	dBuV/m
30 ~ 88	39.0	40.0
88 ~ 216	43.5	43.5
216 ~ 960	46.5	46.0
Above 960	49.5	54.0

Notes:

- (1) The limit for radiated test was performed according to as following:  
FCC PART 15B /ICES-003.
- (2) The tighter limit applies at the band edges.
- (3) Emission level (dBuV/m)=20log Emission level (uV/m).

#### 3.2.2 TEST PROCEDURE

##### Test Arrangement for Radiated Emissions up to 1 GHz

- a. The EUT was placed on the top of a rotating table 0.8 meters above the ground at an accredited test facility. The table was rotated 360 degrees to determine the position of the highest radiation.
- b. The EUT was set 3 meters away from the interference-receiving antenna, which was mounted on the top of a variable-height antenna tower.
- c. The antenna is a broadband antenna, and its height is varied from one meter to four meters above the ground to determine the maximum value of the field strength. Both horizontal and vertical polarizations of the antenna are set to make the measurement.
- d. For each suspected emission, the EUT was arranged to its worst case and then the antenna was tuned to heights from 1 meter to 4 meters and the rotatable table was turned from 0 degrees to 360 degrees to find the maximum reading.

Note: The resolution bandwidth and video bandwidth of test receiver/spectrum analyzer is 120kHz for quasi-peak detection (QP) at frequency below 1GHz.

##### Test Arrangement for Radiated Emissions above 1 GHz.

- a. The EUT was placed on the top of a rotating table 0.8 meters above the ground at an accredited chamber room. The table was rotated 360 degrees to determine the position of the highest radiation.
- b. The EUT was set 3 meters away from the interference-receiving antenna, which was mounted on the top of a variable-height antenna tower.
- c. The height of antenna can be varied from one meter to four meters, the height of adjustment depends on the EUT height and the antenna 3dB beamwidth both, to detect the maximum value of the field strength. Both horizontal and vertical polarizations of the antenna are set to make the measurement.
- d. For each suspected emission, the EUT was arranged to its worst case and then the antenna was tuned to heights and the rotatable table was turned from 0 degrees to 360 degrees to find the maximum reading.

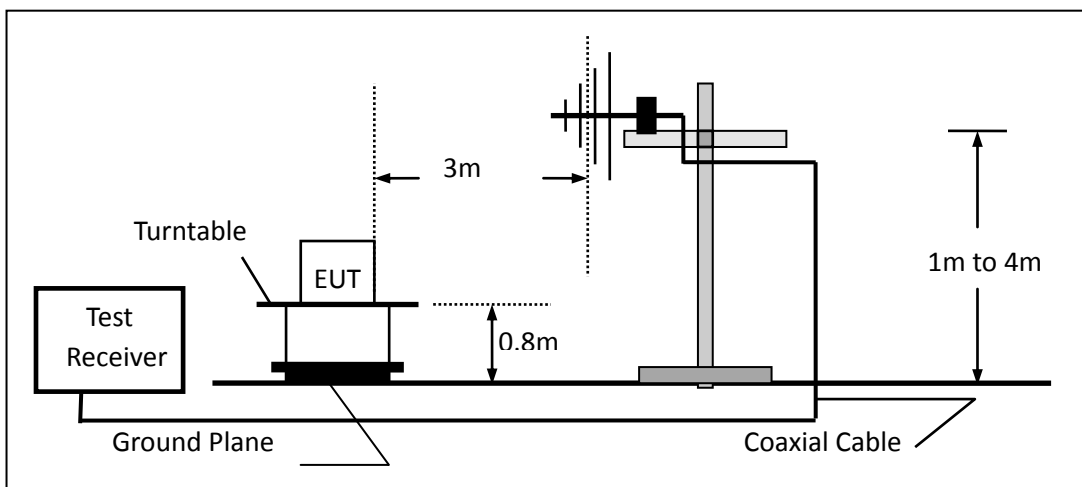
Note: For the hand-held device, the EUT should be measured for all 3 axes and only the worst case is recorded in the report

During the radiated emission test, according to ANSI C63.4-2014(4.2), the Spectrum Analyzer was set with the following configurations:

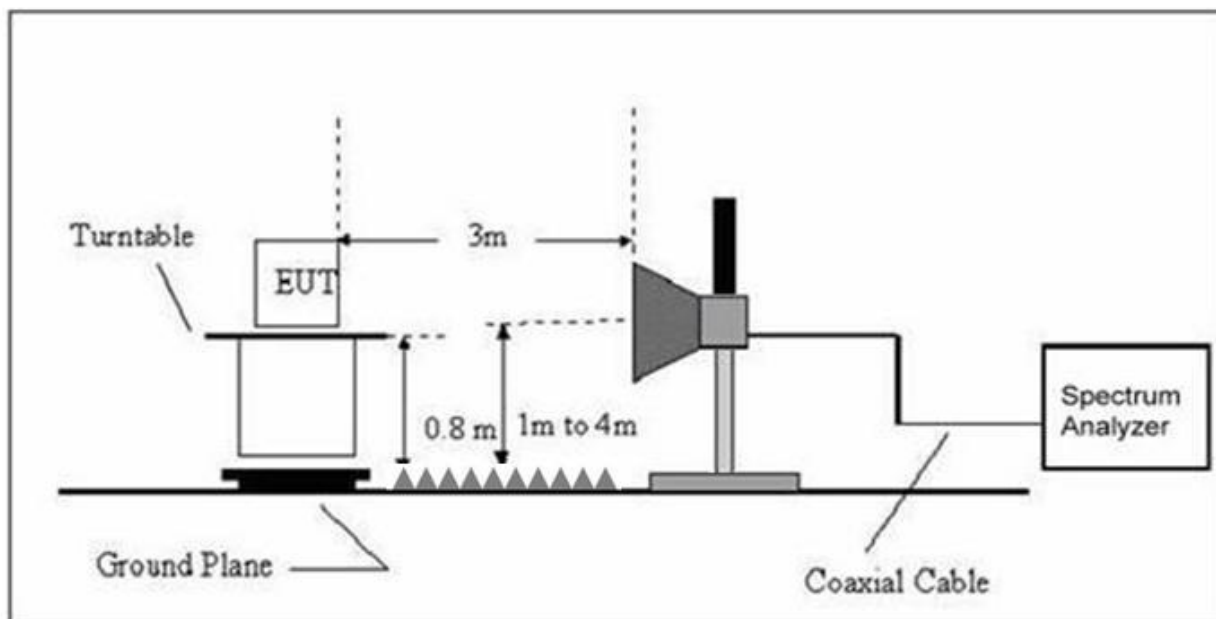
Frequency Band (MHz)	Function	Resolution bandwidth	Video Bandwidth
30 to 1000	QP	120 kHz	300 kHz
Above 1000	Peak	1 MHz	3 MHz
	Avg	1 MHz	10 Hz

3.2.3 TEST SETUP

For Radiated Emission 30~1000MHz



(B) Radiated Emission Test Set-Up Frequency Above 1GHz



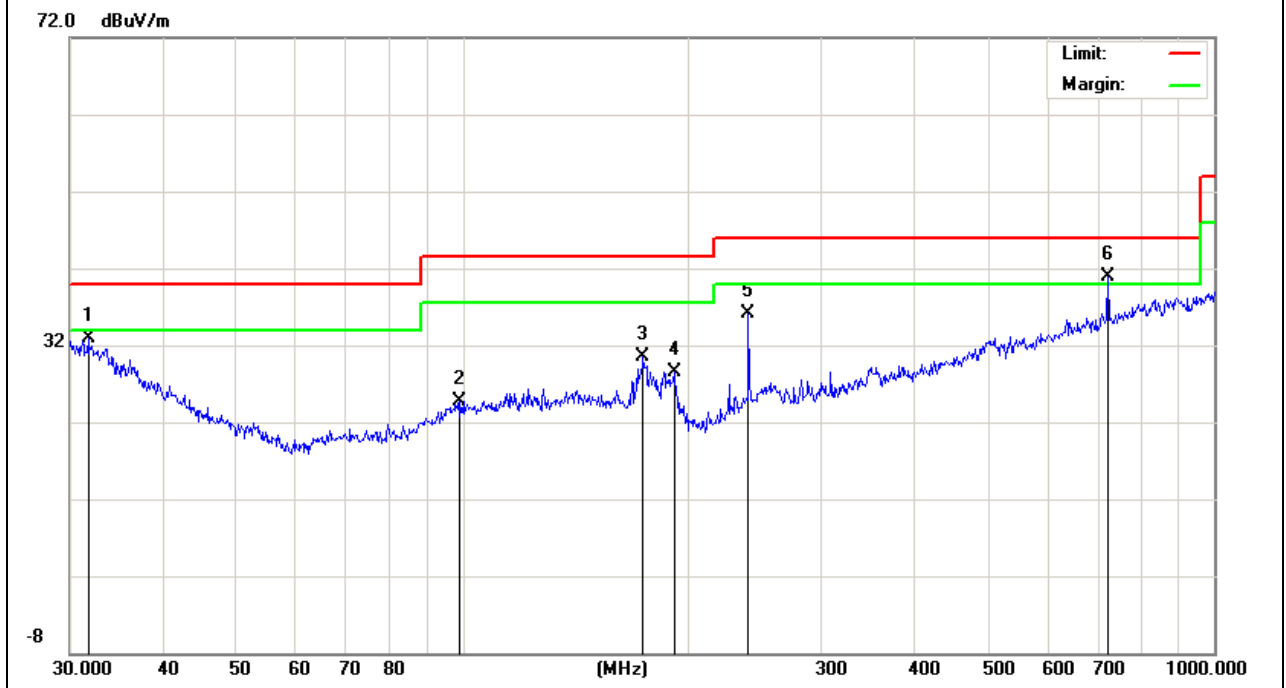
### 3.2.4 TEST RESULTS

#### TEST RESULTS (30~1000 MHz)

EUT:	Mobile Phone	Model Name:	V65(2+32GB)
Temperature:	24.5 °C	Relative Humidity:	55%
Pressure:	1010 hPa	Test Date :	2022-02-15
Test Mode :	Mode 1	Polarization :	Horizontal
Test Power :	DC 5V from PC AC 120V/60Hz		

Polar (H/V)	Frequency	Meter Reading	Factor	Emission Level	Limits	Margin	Remark
	(MHz)	(dBuV)	(dB)	(dBuV/m)	(dBuV/m)	(dB)	
H	31.7313	9.55	23.42	32.97	40.00	-7.03	QP
H	99.1795	8.50	16.11	24.61	43.50	-18.89	QP
H	173.8135	14.24	16.20	30.44	43.50	-13.06	QP
H	191.0738	13.19	15.33	28.52	43.50	-14.98	QP
H	239.9874	18.41	17.76	36.17	46.00	-9.83	QP
H	721.7259	12.79	28.19	40.98	46.00	-5.02	QP

Remark:  
Factor = Antenna Factor + Cable Loss - Amplifier.

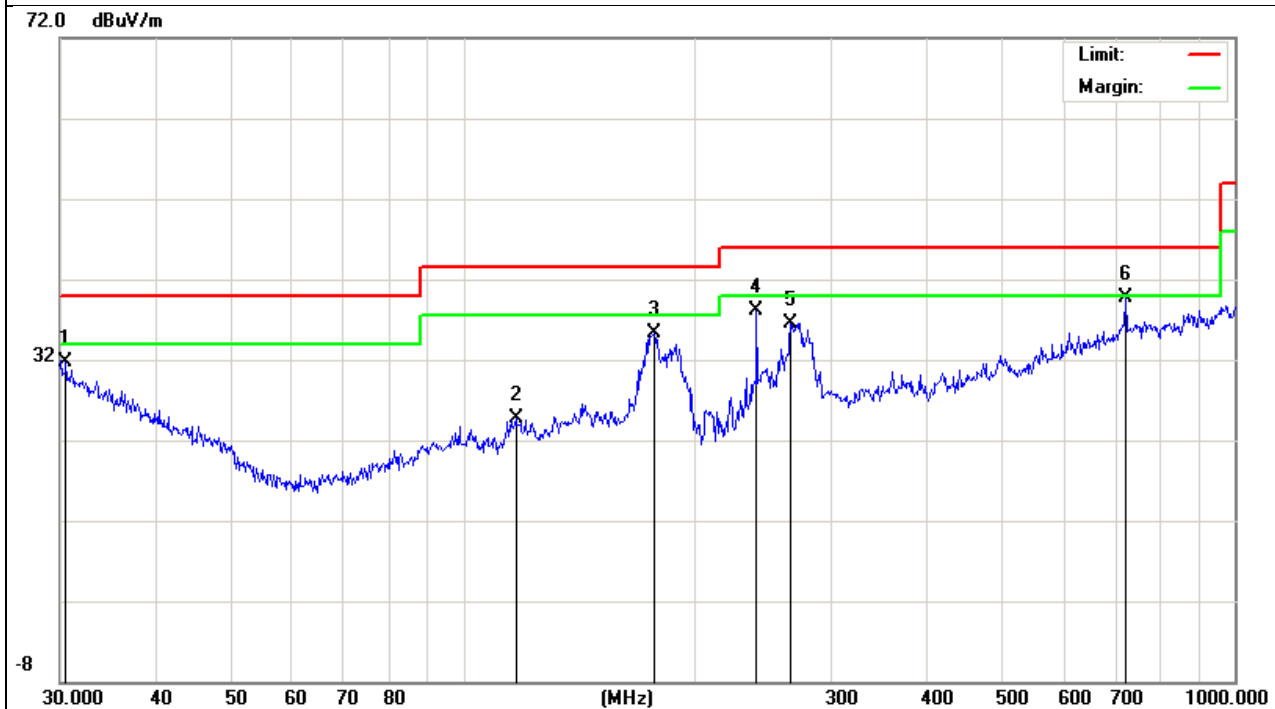


EUT:	Mobile Phone	Model Name :	V65(2+32GB)
Temperature:	24.5 °C	Relative Humidity:	55%
Pressure:	1010 hPa	Test Date :	2022-02-15
Test Mode :	Mode 1	Polarization :	Vertical
Test Power :	DC 5V from PC AC 120V/60Hz		

Polar (H/V)	Frequency	Meter Reading	Factor	Emission Level	Limits	Margin	Remark
	(MHz)	(dBuV)	(dB)	(dBuV/m)	(dBuV/m)	(dB)	
V	30.5304	6.93	24.73	31.66	40.00	-8.34	QP
V	116.9495	7.05	17.61	24.66	43.50	-18.84	QP
V	176.8875	19.12	16.12	35.24	43.50	-8.26	QP
V	239.9874	20.30	17.76	38.06	46.00	-7.94	QP
V	265.6757	16.51	20.02	36.53	46.00	-9.47	QP
V	721.7259	11.55	28.19	39.74	46.00	-6.26	QP

Remark:

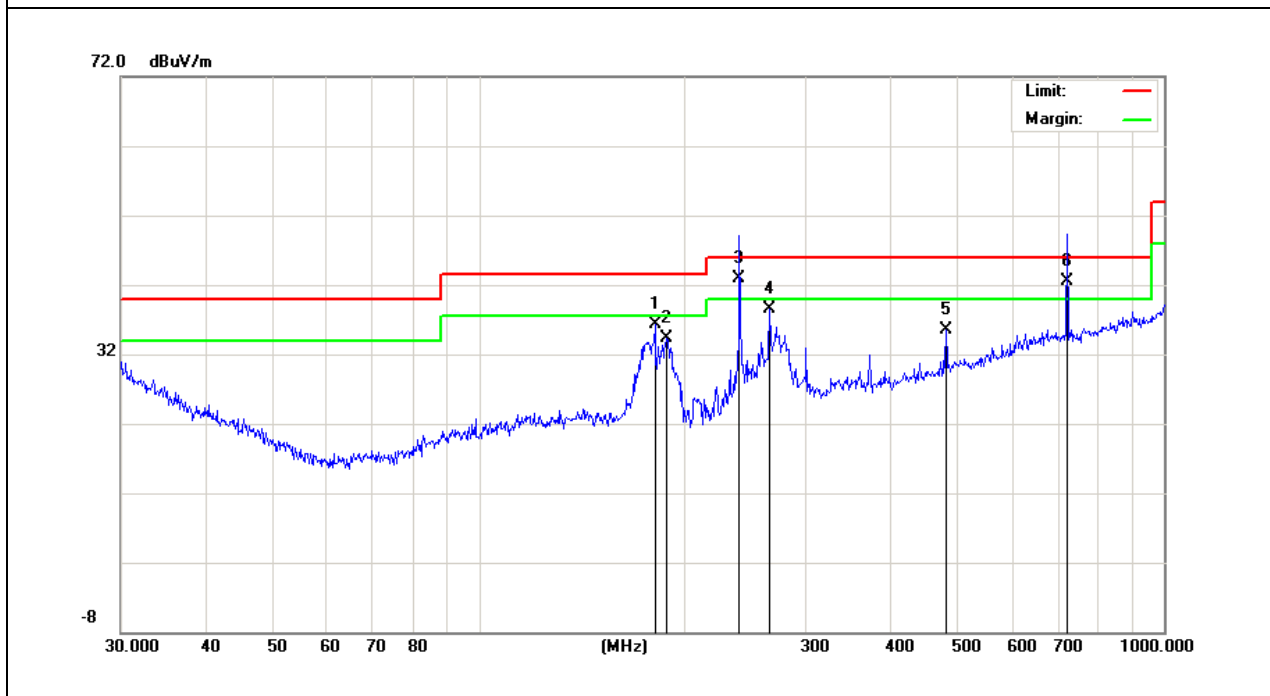
Factor = Antenna Factor + Cable Loss - Amplifier.



EUT:	Mobile Phone	Model Name:	V65+(4+64GB)
Temperature:	24.5 °C	Relative Humidity:	55%
Pressure:	1010 hPa	Test Date :	2022-02-15
Test Mode :	Mode 1	Polarization :	Horizontal
Test Power :	DC 5V from PC AC 120V/60Hz		

Polar (H/V)	Frequency	Meter Reading	Factor	Emission Level	Limits	Margin	Remark
	(MHz)	(dBuV)	(dB)	(dBuV/m)	(dBuV/m)	(dB)	
H	180.6488	20.31	15.90	36.21	43.50	-7.29	QP
H	187.7529	18.88	15.48	34.36	43.50	-9.14	QP
H	239.9874	25.24	17.76	43.00	46.00	-3.00	QP
H	265.6757	18.51	20.02	38.53	46.00	-7.47	QP
H	480.5276	10.82	24.59	35.41	46.00	-10.59	QP
H	721.7259	14.41	28.19	42.60	46.00	-3.40	QP

Remark:  
Factor = Antenna Factor + Cable Loss - Amplifier.

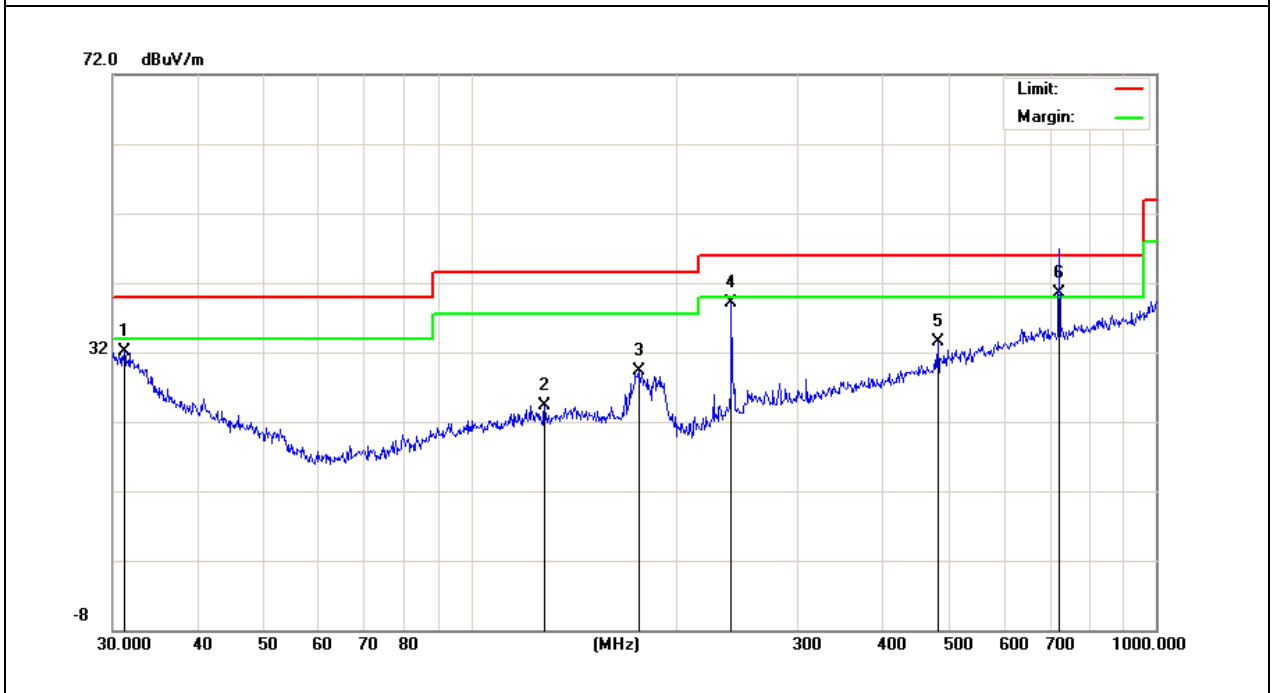


EUT:	Mobile Phone	Model Name :	V65+(4+64GB)
Temperature:	24.5 °C	Relative Humidity:	55%
Pressure:	1010 hPa	Test Date :	2022-02-15
Test Mode :	Mode 1	Polarization :	Vertical
Test Power :	DC 5V from PC AC 120V/60Hz		

Polar (H/V)	Frequency	Meter Reading	Factor	Emission Level	Limits	Margin	Remark
	(MHz)	(dBuV)	(dB)	(dBuV/m)	(dBuV/m)	(dB)	
V	31.1798	7.99	24.02	32.01	40.00	-7.99	QP
V	128.1129	6.56	17.68	24.24	43.50	-19.26	QP
V	175.6516	13.11	16.19	29.30	43.50	-14.20	QP
V	239.9874	21.41	17.76	39.17	46.00	-6.83	QP
V	480.5276	8.83	24.59	33.42	46.00	-12.58	QP
V	721.7259	12.41	28.19	40.60	46.00	-5.40	QP

Remark:

Factor = Antenna Factor + Cable Loss - Amplifier.



### 3.2.5 TEST RESULTS(1000~18000MHz)

EUT:	Mobile Phone	Model Name :	V65(2+32GB)
Temperature:	24.5 °C	Relative Humidity:	55%
Pressure:	1010 hPa	Test Date :	2022-02-15
Test Mode :	Mode 1		
Test Power :	DC 5V from PC AC 120V/60Hz		

All the modulation modes have been tested, and the worst result was report as below:

Polar (H/V)	Frequency	Reading	Correct	Result	Limit	Over Limit	Remark
	(MHz)	(dBuV/m)	dB/m	(dBuV/m)	(dBuV/m)	(dB)	
V	1127.500	41.39	-2.38	39.01	74.00	-34.99	peak
V	1127.500	31.49	-2.38	29.11	54.00	-24.89	AVG
V	1382.500	40.56	-0.75	39.81	74.00	-34.19	peak
V	1382.500	29.01	-0.75	28.26	54.00	-25.74	AVG
V	1637.500	39.73	0.22	39.95	74.00	-34.05	peak
V	1637.500	29.13	0.22	29.35	54.00	-24.65	AVG
V	2030.214	38.99	1.30	40.29	74.00	-33.71	peak
V	2030.214	28.85	1.30	30.15	54.00	-23.85	AVG
V	2750.080	38.57	3.69	42.26	74.00	-31.74	peak
V	2750.080	28.37	3.69	32.06	54.00	-21.94	AVG
V	3465.000	35.34	5.71	41.05	74.00	-32.95	peak
V	3465.000	25.62	5.71	31.33	54.00	-22.67	AVG
H	1212.500	39.58	-1.84	37.74	74.00	-36.26	peak
H	1212.500	29.17	-1.84	27.33	54.00	-26.67	AVG
H	1595.000	39.94	0.09	40.03	74.00	-33.97	peak
H	1595.000	30.13	0.09	30.22	54.00	-23.78	AVG
H	2232.500	38.88	1.95	40.83	74.00	-33.17	peak
H	2232.500	28.20	1.95	30.15	54.00	-23.85	AVG
H	2785.000	39.60	3.79	43.39	74.00	-30.61	peak
H	2785.000	29.47	3.79	33.26	54.00	-20.74	AVG
H	2955.000	38.33	4.78	43.11	74.00	-30.89	peak
H	2955.000	28.24	4.78	33.02	54.00	-20.98	AVG
H	4230.000	37.12	6.68	43.80	74.00	-30.20	peak
H	4230.000	26.47	6.68	33.15	54.00	-20.85	AVG

EUT:	Mobile Phone	Model Name :	V65+(4+64GB)
Temperature:	24.5 °C	Relative Humidity:	55%
Pressure:	1010 hPa	Test Date :	2022-02-15
Test Mode :	Mode 1		
Test Power :	DC 5V from PC AC 120V/60Hz		

All the modulation modes have been tested, and the worst result was report as below:

Polar (H/V)	Frequency	Reading	Correct	Result	Limit	Over Limit	Remark
	(MHz)	(dBuV/m)	dB/m	(dBuV/m)	(dBuV/m)	(dB)	
V	2020.000	39.68	1.28	40.96	74.00	-33.04	peak
V	2020.000	29.74	1.28	31.02	54.00	-22.98	AVG
V	2742.500	40.15	3.67	43.82	74.00	-30.18	peak
V	2742.500	29.59	3.67	33.26	54.00	-20.74	AVG
V	2955.000	39.28	4.78	44.06	74.00	-29.94	peak
V	2955.000	29.37	4.78	34.15	54.00	-19.85	AVG
V	3465.000	36.84	5.71	42.55	74.00	-31.45	peak
V	3465.000	26.87	5.71	32.58	54.00	-21.42	AVG
V	4230.000	37.46	6.68	44.14	74.00	-29.86	peak
V	4230.000	27.43	6.68	34.11	54.00	-19.89	AVG
V	4782.500	36.29	6.99	43.28	74.00	-30.72	peak
V	4782.500	26.66	6.99	33.65	54.00	-20.35	AVG
H	1595.000	39.94	0.09	40.03	74.00	-33.97	peak
H	1595.000	30.43	0.09	30.52	54.00	-23.48	AVG
H	2232.500	38.88	1.95	40.83	74.00	-33.17	peak
H	2232.500	30.07	1.95	32.02	54.00	-21.98	AVG
H	2785.000	39.60	3.79	43.39	74.00	-30.61	peak
H	2785.000	29.66	3.79	33.45	54.00	-20.55	AVG
H	2955.000	38.33	4.78	43.11	74.00	-30.89	peak
H	2955.000	29.24	4.78	34.02	54.00	-19.98	AVG
H	3805.000	35.94	6.26	42.20	74.00	-31.80	peak
H	3805.000	26.39	6.26	32.65	54.00	-21.35	AVG
H	4230.000	37.12	6.68	43.80	74.00	-30.20	peak
H	4230.000	26.90	6.68	33.58	54.00	-20.42	AVG

Remark:

Result = Reading + Correct, Over Limit= Result - Limit

Note: Only the worst results data points are reported in the report.

Other emissions are attenuated 20dB below the limit that does not recorded in the report

END OF REPORT