

FCC CFR47 PART 22H, 24E, 27 CERTIFICATION TEST REPORT

FCC ID: QRP-SP-008

Product: Mobile Phone

Trade Mark: AZUMI

Model Number: V4

Family Model: N/A

Report No.: S19062502702005

Prepared for

Azumi S.A

Avenida Aquilino de la Guardia con Calle 47, PH Ocean Plaza,
Piso 16 of. 16-01, Marbella, Ciudad de Panama

Prepared by

Shenzhen NTEK Testing Technology Co., Ltd.

1/F, Building E, Fenda Science Park, Sanwei Community, Xixiang Street

Bao'an District, Shenzhen 518126 P.R. China

Tel.: +86-755-6115 9388 Fax.: +86-755-6115 6599

Website: <http://www.ntek.org.cn>

TEST RESULT CERTIFICATION

Applicant's name : Azumi S.A
Address : Avenida Aquilino de la Guardia con Calle 47, PH Ocean Plaza, Piso 16 of. 16-01, Marbella, Ciudad de Panama, Panama
Manufacturer's Name : AZUMI HK LTD
Address : FLAT/RM 18 BLK 1 14/F GOLDEN INDUSTRIAL BUILDING 16-26 KWAI TAK STREET KWAI CHUNG, HK
Product name : Mobile Phone
Model and/or type reference : V4
Family Model: N/A
Standards : FCC CFR 47 Part 22H, Part 24E, Part 27
Test procedure : ANSI C63.26:2015
ANSI/TIA-603-E-2016

This device described above has been tested by NTEK, and the test results show that the equipment under test (EUT) is in compliance with the FCC requirements. And it is applicable only to the tested sample identified in the report.

This report shall not be reproduced except in full, without the written approval of NTEK, this document may be altered or revised by NTEK, personal only, and shall be noted in the revision of the document.

Date of Test :
Date (s) of performance of tests : 25 Jun. 2019 ~ 16 Jul, 2019
Date of Issue : 17 Jul, 2019
Test Result : Pass

Testing Engineer : (Signature)
(Mary Hu)
Technical Manager : (Signature)
(Jason Chen)
Authorized Signatory : (Signature)
(Sam Chen)

TABLE OF CONTENTS

1. GENERAL INFORMATION	5
1. GENERAL INFORMATION	5
1.1 PRODUCT DESCRIPTION	5
1.2 RELATED SUBMITTAL(S) / GRANT (S).....	6
1.3 TEST METHODOLOGY.....	6
1.4 TEST FACILITY.....	6
MEASUREMENT UNCERTAINTY	6
1.5 SPECIAL ACCESSORIES.....	6
1.6 WORST-CASE CONFIGURATION AND MODE.....	6
2. SYSTEM TEST CONFIGURATION	7
2.1 EUT CONFIGURATION.....	7
2.2 EUT EXERCISE	7
2.3 CONFIGURATION OF EUT SYSTEM.....	7
2.4 TEST SETUP	8
3.TEST AND MEASUREMENT EQUIPMENT	9
4. OUTPUT POWER.....	10
4.1 OUTPUT POWER MEASUREMENT	10
6. BANDEDGE AND EMISSION MASK.....	13
7. OUT OF BAND EMISSIONS.....	14
7.1 MEASUREMENT METHOD	14
8. RADIATED MEASUREMENT.....	15
8.1. RADIATED POWER (ERP & EIRP).....	15
8.2 LTE BAND 2	16
8.3 LTE BAND 4	20
8.4 LTE BAND 5	24

8.5 LTE BAND 7 26

9. SPURIOUS RADIATION EMISSION28

9.1 LTE BAND 2 30

9.2 LTE BAND 4 31

9.3 LTE BAND 5 32

9.4 LTE BAND 7 33

10. FREQUENCY STABILITY34

10.1 LTE BAND 2 35

10.2 LTE BAND 4 37

10.3 LTE BAND 5 39

10.4 LTE BAND 7 41

11. PEAK-TO-AVERAGE RATIO43

11.1 Description of the PAR Measurement 43

11.2 Measuring Instruments 43

11.3 Test Procedures 43

11.4 Test Setup 43

1. GENERAL INFORMATION

1.1 PRODUCT DESCRIPTION

A major technical description of EUT is described as following:

Product Designation:	Mobile Phone
Trade Mark	AZUMI
Model Name	V4
Family Model	N/A
Model Difference	All models are the same circuit and RF module, except the model name.
FCC ID:	QRP-SP-008
Frequency Bands:	U.S. Bands: <input checked="" type="checkbox"/> LTE FDD Band 2,4,5,7
Frequency Range:	LTE FDD Band 2 Uplink: 1850MHz-1910MHz, Downlink: 1930MHz-1990MHz; LTE FDD Band 4 Uplink: 1710MHz-1755MHz, Downlink: 2110MHz-2155MHz; LTE FDD Band 5 Uplink: 824MHz-849MHz, Downlink: 869MHz-894MHz; LTE-FDD Band 7 Uplink: 2500MHz-2570MHz, Downlink: 2620MHz-2690MHz;
Type of Modulation:	QPSK/16QAM
SIM Card	SIM 1 and SIM 2 is a chipset unit and tested as a single chipset. The SIM 1 is chosen for test.
Antenna:	PIFA Antenna
Antenna gain:	-1.2dBi
Power Supply:	DC 3.8V/1500mAh from Battery or DC 5V from USB Port.
Adapter:	Input: 100-240V~50-60Hz 0.2A Output: 5V---500mA
Extreme Vol. Limits:	DC 3.2V to DC 4.4V (Nominal DC 3.8V) (Note 1)
HW Version	V1
SW Version	FS272_CF1_DRV_ONLY_90B_O26549
** Note1: The High Voltage DC 4.4V and Low Voltage 3.2V was declared by manufacturer, The EUT couldn't be operate normally with higher or lower voltage.	

1.2 RELATED SUBMITTAL(S) / GRANT (S)

This submittal(s) (test report) is intended for **FCC ID: QRP-SP-008** filing to comply with the FCC Part 22H&24E &27.

1.3 TEST METHODOLOGY

The tests documented in this report were performed in accordance with ANSI/TIA-603-E-2016, FCC CFR 47 Part 2, Part 22, Part 24, Part 27, ANSI C63.26:2015.

1.4 TEST FACILITY

The test site used to collect the radiated data is located at:

ShenZhen NTEK Testing Technology Co., Ltd.

1/F, Building E, Fenda Science Park, Sanwei Community, Xixiang Street, Bao'an District, Shenzhen 518126 P.R.China.

The test site is constructed and calibrated to meet the FCC requirements in documents ANSI C63.26:2015& ANSI C63.4: 2014.

FCC Registration No.:463705

IC Registration No.:9270A-1,

CNAS Registration No.:L5516

MEASUREMENT UNCERTAINTY

The reported uncertainty of measurement, where expended uncertainty U is based on a standard uncertainty multiplied by a coverage factor of k=2, providing a level of confidence of approximately 95 %.

No.	Item	Uncertainty
1	Measuring Uncertainty for a Level of Confidence of 95% (U = 2Uc(y))	2.5dB

1.5 SPECIAL ACCESSORIES

The battery and the charger, earphone supplied by the applicant were used as accessories and being tested with EUT intended for FCC grant together.

1.6 WORST-CASE CONFIGURATION AND MODE

The worst-case scenario for all measurements is based on the investigation results.

The device has LTE Bands of: Band 2, Band 4, Band 5, Band 7.

The RB Size was selected to measure for peak or average ERP and EIRP, which was based on the conducted power verification baseline data.

For the fundamental investigation of radiated emissions, the EUT is investigated for vertical and horizontal antenna orientations and X Y and Z orientations of the EUT alone. After the investigations the worst case was determined to be at X orientation for all LTE bands.

2. SYSTEM TEST CONFIGURATION

2.1 EUT CONFIGURATION

The EUT configuration for testing is installed on RF field strength measurement to meet the Commission’s requirement and operating in a manner which intends to maximize its emission characteristics in a continuous normal application.

2.2 EUT EXERCISE

The Transmitter was operated in the maximum output power mode through Communication Tester. The TX frequency was fixed which was for the purpose of the measurements.

2.3 CONFIGURATION OF EUT SYSTEM

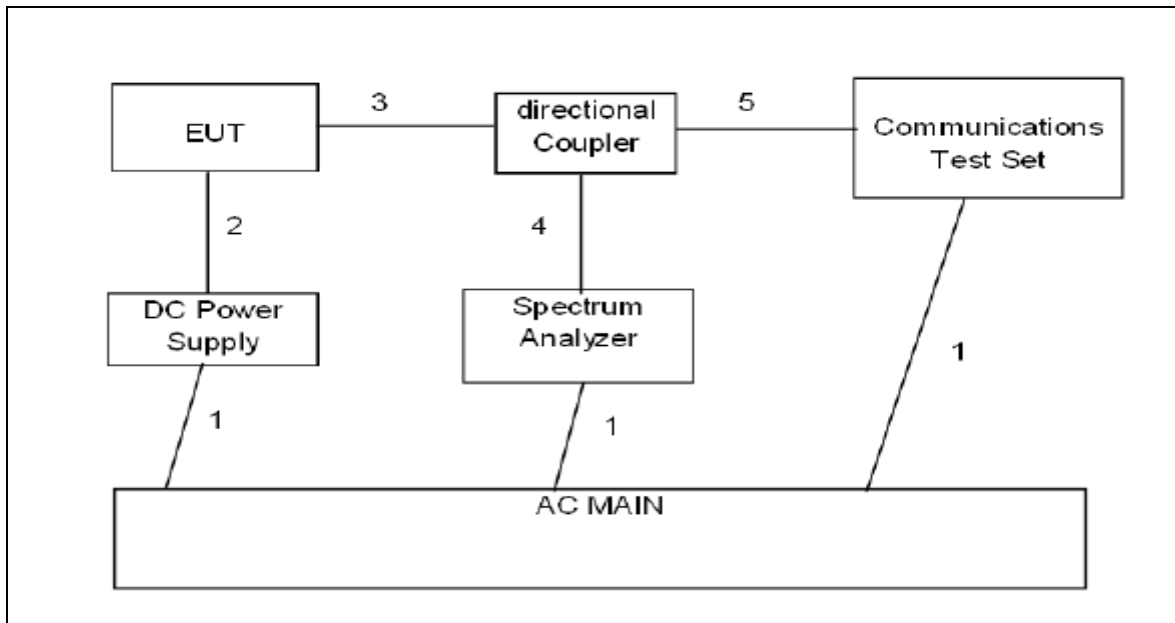
Table 2-1 Equipment Used in EUT System

Item	Equipment	Model No.	ID or Specification	Note
1	Mobile Phone	V4	FCC ID: QRP-SP-008	EUT

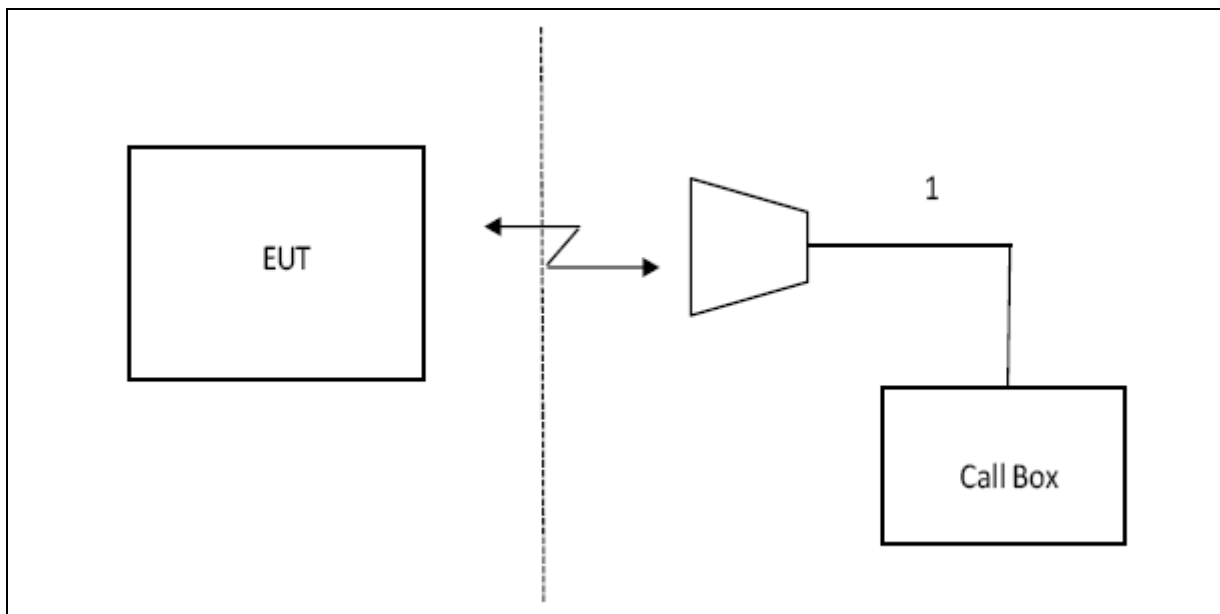
*Note: All the accessories have been used during the test.
the following “EUT” in setup diagram means EUT system.*

2.4 TEST SETUP

CONDUCTED SETUP DIAGRAM FOR TESTS



RADIATED SETUP DIAGRAM FOR TESTS



3. TEST AND MEASUREMENT EQUIPMENT

The following test and measurement equipment was utilized for the tests documented in this report:

NAME OF EQUIPMENT	MANUFACTURER	MODEL	SERIAL NUMBER	NEXT CAL. DATE
SPECTRUM ANALYZER	AGILENT	N9020A	MY49100060	2019.10.07
TEST RECEIVER	R&S	ESCI	101318	2020.05.12
COMMUNICATION TESTER	R&S	CMU200	117858	2020.05.12
COMMUNICATION TESTER	R&S	CMW500	148500	2020.05.12
TEST RECEIVER	R&S	FCKL1528	A0304230	2020.05.12
LISN	SCHWARZBECK	NSLK8127	A0304233	2020.05.12
CLIMATE CHAMBER	ALBATROSS	--	--	2020.05.12
Loop Antenna	Daze	ZN30900N	SEL0097	2020.05.12
Biological Antenna	A.H. Systems Inc.	SAS-521-4	N/A	2020.05.12
Horn Antenna	EM	EM-AH-10180	2011071402	2020.05.12
DC Power Source	N/A	PS-6005D	20170402923	2020.05.12

4. OUTPUT POWER

4.1 OUTPUT POWER MEASUREMENT

LTE Measurement Procedure:

All LTE bands conducted power peak and average are obtained from the CMW500 telecommunication test set. The following tests were conducted according to the test requirements outlined in section 6.2 of the 3GPP TS36.101 specification.

UE Power Class: 3 (23 +/- 2dBm). The allowed Maximum Power Reduction (MPR) for the maximum output power due to higher order modulation and transmit bandwidth configuration (resource blocks) is specified in Table 6.2.3-1 of the 3GPP TS36.101.

Table 6.2.3-1: Maximum Power Reduction (MPR) for Power Class 3

Modulation	Channel bandwidth / Transmission bandwidth (RB)						MPR (dB)
	1.4 MHz	3.0 MHz	5 MHz	10 MHz	15 MHz	20 MHz	
QPSK	> 5	> 4	> 8	> 12	> 16	> 18	≤ 1
16 QAM	≤ 5	≤ 4	≤ 8	≤ 12	≤ 16	≤ 18	≤ 1
16 QAM	> 5	> 4	> 8	> 12	> 16	> 18	≤ 2

The allowed A-MPR values specified below in Table 6.2.4.-1 of 3GPP TS36.101 are in addition to the allowed MPR requirements. All the measurements below were performed with A-MPR disabled, by using Network Signaling Value of "NS_01".3

Table 6.2.4-1: Additional Maximum Power Reduction (A-MPR)

Network Signalling value	Requirements (sub-clause)	E-UTRA Band	Channel bandwidth (MHz)	Resources Blocks (N_{RB})	A-MPR (dB)
NS_01	6.6.2.1.1	Table 5.5-1	1.4, 3, 5, 10, 15, 20	Table 5.6-1	NA
NS_03	6.6.2.2.1	2, 4, 10, 23, 25, 35, 36	3	>5	≤ 1
			5	>6	≤ 1
			10	>6	≤ 1
			15	>8	≤ 1
			20	>10	≤ 1
NS_04	6.6.2.2.2	41	5	>6	≤ 1
			10, 15, 20	See Table 6.2.4-4	
NS_05	6.6.3.3.1	1	10,15,20	≥ 50	≤ 1
NS_06	6.6.2.2.3	12, 13, 14, 17	1.4, 3, 5, 10	Table 5.6-1	n/a
NS_07	6.6.2.2.3	13	10	Table 6.2.4-2	Table 6.2.4-2
	6.6.3.3.2				
NS_08	6.6.3.3.3	19	10, 15	> 44	≤ 3
NS_09	6.6.3.3.4	21	10, 15	> 40	≤ 1
				> 55	≤ 2
NS_10		20	15, 20	Table 6.2.4-3	Table 6.2.4-3
NS_11	6.6.2.2.1	23 ¹	1.4, 3, 5, 10	Table 6.2.4-5	Table 6.2.4-5
..					
NS_32	-	-	-	-	-

Note 1: Applies to the lower block of Band 23, i.e. a carrier placed in the 2000-2010 MHz region.

Test data reference attachment.

5. OCCUPIED BANDWIDTH

RULE PART(S)

FCC: §2.1049

LIMITS

For reporting purposes only

TEST PROCEDURE

The transmitter output was connected to a calibrated coaxial cable and coupler, the other end of which was connected to a spectrum analyzer. The occupied bandwidth was measured with the spectrum analyzer at the low, middle and high channel in each band. The -26dB bandwidth was also measured and recorded.

MODES TESTED

- LTE Band 2
- LTE Band 4
- LTE Band 5
- LTE Band 7

RESULTS

PASS

Test data reference attachment.

6. BANDEDGE AND EMISSION MASK

RULE PART(S)

FCC: §2.1051, §22.901, §22.917, §24.238, §27.53, and §90.691

FCC: §22.359

LIMITS

FCC: §22.359, §24.238,

The power of any emission outside of the authorized operating frequency ranges must be attenuated below the transmitting power (P) by a factor of at least $43 + 10 \log (P)$ dB.

(m)(4) For mobile digital stations, the attenuation factor shall be not less than $40 + 10 \log (P)$ dB on all frequencies between the channel edge and 5 megahertz from the channel edge, $43 + 10 \log (P)$ dB on all frequencies between 5 megahertz and X megahertz from the channel edge, and $55 + 10 \log (P)$ dB on all frequencies more than X megahertz from the channel edge, where X is the greater of 6 megahertz or the actual emission bandwidth as defined in paragraph (m)(6) of this section. In addition, the attenuation factor shall not be less that $43 + 10 \log (P)$ dB on all frequencies between 2490.5 MHz and 2496 MHz and $55 + 10 \log (P)$ dB at or below 2490.5 MHz. Mobile Satellite Service licensees operating on frequencies below 2495 MHz may also submit a documented interference complaint against BRS licensees operating on channel BRS Channel 1 on the same terms and conditions as adjacent channel BRS or EBS licensees. Show citation box.

TEST PROCEDURE

The transmitter output was connected to a CMW500 Test Set and configured to operate at maximum power. The band edge emissions were measured at the required operating frequencies in each band on the Spectrum Analyzer.

For each band edge measurement:

Set the spectrum analyzer span to include the block edge frequency (704, 716, 824, 849, 1710 and 1755, 1850 and 1910MHz)

Set a marker to point the corresponding band edge frequency in each test case.

Set display line at -13 dBm

Set resolution bandwidth to at least 1% of emission bandwidth.

MODES TESTED

- LTE Band 2
- LTE Band 4
- LTE Band 5
- LTE Band 7

RESULTS

Test data reference attachment.

7. OUT OF BAND EMISSIONS

RULE PART(S)

FCC: §2.1051, §22.901, §22.917, §24.238 and §27.53

LIMITS

The power of any emission outside of the authorized operating frequency ranges must be attenuated below the transmitting power (P) by a factor of at least $43 + 10 \log (P)$ dB.

TEST PROCEDURE

The RF output of the transmitter was connected to a spectrum analyzer through a calibrated coaxial cable. Sufficient scans were taken to show the out-of-band Emissions, if any, up to 10th harmonic. Multiple sweeps were recorded in maximum hold mode using a peak detector to ensure that the worst-case emissions were caught.

For each out of band emissions measurement:

- Set display line at -13 dBm
- Set RBW & VBW to 100 kHz for the measurement below 1 GHz, and 1 MHz for the measurement above 1 GHz.

MODES TESTED

- LTE Band 2
LTE Band 4
- LTE Band 5
LTE Band 7

7.1 MEASUREMENT METHOD

The test set up and general procedure is similar to conducted peak output power test. Only different for setting the measurement configuration of the measuring instrument of Spectrum Analyzer.

Test data reference attachment.

8. RADIATED MEASUREMENT

8.1. RADIATED POWER (ERP & EIRP)

RULE PART(S)

FCC: §2.1046, §22.913, §24.232 and §27.50

LIMITS:

22.913(a) - The ERP of mobile transmitters and auxiliary test transmitters must not exceed 7 Watts.

27.50 (c) (10) the following power and antenna height requirements apply to stations transmitting in the 698–746 MHz band, the portable stations (hand-held devices) are limited to 3 watts ERP.

27.50 (b)(10) Portable stations (hand-held devices) transmitting in the 746–757 MHz, 758–763 MHz, 776–793 MHz, and 805–806 MHz bands are limited to 3 watts ERP.

27.50 (d)(4) The following power and antenna height requirements apply to stations transmitting in the 1710–1755 MHz and 2110–2155 MHz bands: Fixed, mobile, and portable (hand-held) stations operating in the 1710–1755 MHz band are limited to 1 watt EIRP.

TEST PROCEDURE

ANSI/TIA-603-E Clause 2.2.17

KDB 971168 v02r01 RF power output using broadband peak and average power meter method.

KDB 971168 D01 Power Meas License Digital Systems v02r01, “Measurement Guidance for Certification of Licensed Digital Transmitters”

MODES TESTED

- LTE Band 2
- LTE Band 4
- LTE Band 5
- LTE Band 7

RESULTS

Pass

8.2 LTE BAND 2

Radiated Power (EIRP) for Band 2									
Mode	RB/RB SIZE	Frequency	Result						Conclusion
			SG Level (dBm)	Cable Loss (dBm)	Antenna Gain (dB)	Max. EIRP Average (dBm)	Max. EIRP Average (mW)	Polarization Of Max. ERP	
1.4MHz Band QPSK	6/0	1850.7	-1.07	3.76	28.24	23.41	219.280	Vertical	Pass
		1880	-0.98	3.91	28.22	23.33	215.278	Vertical	Pass
		1909.3	-0.81	3.93	28.20	23.46	221.820	Vertical	Pass
1.4MHz Band 16 QAM	6/0	1850.7	-1.98	3.76	28.24	22.50	177.828	Vertical	Pass
		1880	-1.87	3.91	28.22	22.44	175.388	Vertical	Pass
		1909.3	-1.79	3.93	28.20	22.48	177.011	Vertical	Pass
3.0MHz Band QPSK	15/0	1851.5	-1.12	3.77	28.23	23.34	215.774	Vertical	Pass
		1880	-0.97	3.91	28.24	23.36	216.770	Vertical	Pass
		1908.5	-1.09	3.94	28.25	23.22	209.894	Vertical	Pass
3.0MHz Band 16 QAM	15/0	1851.5	-2.00	3.77	28.23	22.46	176.198	Vertical	Pass
		1880	-2.00	3.91	28.24	22.33	171.002	Vertical	Pass
		1908.5	-1.84	3.94	28.25	22.47	176.604	Vertical	Pass
5.0MHz Band QPSK	25/0	1852.5	-1.12	3.77	28.31	23.42	219.786	Vertical	Pass
		1880	-0.83	3.91	28.22	23.48	222.844	Vertical	Pass
		1907.5	-0.95	3.94	28.20	23.31	214.289	Vertical	Pass
5.0MHz Band 16 QAM	25/0	1852.5	-1.96	3.77	28.31	22.58	181.134	Vertical	Pass
		1880	-1.61	3.91	28.22	22.70	186.209	Vertical	Pass
		1907.5	-1.74	3.94	28.20	22.52	178.649	Vertical	Pass
10.0MHz Band QPSK	50/0	1855	-0.93	3.79	28.33	23.61	229.615	Vertical	Pass
		1880	-0.59	3.95	28.22	23.68	233.346	Vertical	Pass
		1905	-0.50	3.97	28.19	23.72	235.505	Vertical	Pass
10.0MHz Band 16 QAM	50/0	1855	-1.68	3.79	28.33	22.86	193.197	Vertical	Pass
		1880	-1.73	3.95	28.22	22.54	179.473	Vertical	Pass
		1905	-1.61	3.97	28.19	22.61	182.390	Vertical	Pass
15.0MHz Band QPSK	75/0	1857.5	-0.85	3.79	28.34	23.70	234.423	Vertical	Pass
		1880	-0.51	3.95	28.22	23.76	237.684	Vertical	Pass
		1902.5	-0.47	3.97	28.18	23.74	236.592	Vertical	Pass
15.0MHz Band	75/0	1857.5	-1.93	3.79	28.34	22.62	182.810	Vertical	Pass
		1880	-1.54	3.95	28.22	22.73	187.499	Vertical	Pass

16 QAM		1902.5	-1.45	3.97	28.18	22.76	188.799	Vertical	Pass
20.0MHz z Band QPSK	100/0	1860	-1.08	3.81	28.35	23.46	221.820	Vertical	Pass
		1880	-0.65	3.96	28.22	23.61	229.615	Vertical	Pass
		1900	-0.52	4.00	28.16	23.64	231.206	Vertical	Pass
20.0MHz z Band 16 QAM	100/0	1860	-1.92	3.81	28.35	22.62	182.810	Vertical	Pass
		1880	-1.73	3.96	28.22	22.53	179.061	Vertical	Pass
		1900	-1.50	4.00	28.16	22.66	184.502	Vertical	Pass

Note:

SG Level= Signal generator output

Max. EIRP Average (dBm)= Antenna Gain(dB)+ SG Level (dBm)- Cable Loss(dBm)

Radiated Power (EIRP) for Band 2									
Mode	RB/RB SIZE	Frequency	Result						Conclusion
			SG Level (dBm)	Cable Loss (dBm)	Antenna Gain (dB)	Max. EIRP Average (dBm)	Max. EIRP Average (mW)	Polarization Of Max. ERP	
1.4MHz Band QPSK	6/0	1850.7	-1.28	3.76	28.24	23.20	208.930	Horizontal	Pass
		1880	-1.22	3.91	28.22	23.09	203.704	Horizontal	Pass
		1909.3	-1.23	3.93	28.20	23.04	201.372	Horizontal	Pass
1.4MHz Band 16 QAM	6/0	1850.7	-2.18	3.76	28.24	22.30	169.824	Horizontal	Pass
		1880	-2.09	3.91	28.22	22.22	166.725	Horizontal	Pass
		1909.3	-2.25	3.93	28.20	22.02	159.221	Horizontal	Pass
3.0MHz Band QPSK	15/0	1851.5	-1.47	3.77	28.23	22.99	199.067	Horizontal	Pass
		1880	-1.31	3.91	28.24	23.02	200.447	Horizontal	Pass
		1908.5	-1.25	3.94	28.25	23.06	202.302	Horizontal	Pass
3.0MHz Band 16 QAM	15/0	1851.5	-2.42	3.77	28.23	22.04	159.956	Horizontal	Pass
		1880	-2.24	3.91	28.24	22.09	161.808	Horizontal	Pass
		1908.5	-2.32	3.94	28.25	21.99	158.125	Horizontal	Pass
5.0MHz Band QPSK	25/0	1852.5	-1.68	3.77	28.31	22.86	193.197	Horizontal	Pass
		1880	-1.49	3.91	28.22	22.82	191.426	Horizontal	Pass
		1907.5	-1.25	3.94	28.20	23.01	199.986	Horizontal	Pass
5.0MHz Band 16 QAM	25/0	1852.5	-2.64	3.77	28.31	21.90	154.882	Horizontal	Pass
		1880	-2.29	3.91	28.22	22.02	159.221	Horizontal	Pass
		1907.5	-2.55	3.94	28.20	21.71	148.252	Horizontal	Pass
10.0MHz Band QPSK	50/0	1855	-1.52	3.79	28.33	23.02	200.447	Horizontal	Pass
		1880	-1.21	3.95	28.22	23.06	202.302	Horizontal	Pass
		1905	-0.99	3.97	28.19	23.23	210.378	Horizontal	Pass
10.0MHz Band 16 QAM	50/0	1855	-2.18	3.79	28.33	22.36	172.187	Horizontal	Pass
		1880	-2.05	3.95	28.22	22.22	166.725	Horizontal	Pass
		1905	-2.18	3.97	28.19	22.04	159.956	Horizontal	Pass
15.0MHz Band QPSK	75/0	1857.5	-1.46	3.79	28.34	23.09	203.704	Horizontal	Pass
		1880	-1.15	3.95	28.22	23.12	205.116	Horizontal	Pass
		1902.5	-1.02	3.97	28.18	23.19	208.449	Horizontal	Pass
15.0MHz Band 16 QAM	75/0	1857.5	-2.71	3.79	28.34	21.84	152.757	Horizontal	Pass
		1880	-1.96	3.95	28.22	22.31	170.216	Horizontal	Pass
		1902.5	-2.19	3.97	28.18	22.02	159.221	Horizontal	Pass
20.0MHz Band	100/0	1860	-1.30	3.81	28.35	23.24	210.863	Horizontal	Pass
		1880	-1.00	3.96	28.22	23.26	211.836	Horizontal	Pass

QPSK		1900	-0.97	4.00	28.16	23.19	208.449	Horizontal	Pass
20.0MH	100/0	1860	-2.33	3.81	28.35	22.21	166.341	Horizontal	Pass
z Band		1880	-2.14	3.96	28.22	22.12	162.930	Horizontal	Pass
16 QAM		1900	-2.17	4.00	28.16	21.99	158.125	Horizontal	Pass

Note:

SG Level= Signal generator output

Max. EIRP Average (dBm)= Antenna Gain(dB)+ SG Level (dBm)- Cable Loss(dBm)

8.3 LTE BAND 4

Radiated Power (EIRP) for Band 4									
Mode	RB/RB SIZE	Frequency	Result						Conclusion
			SG Level (dBm)	Cable Loss (dBm)	Antenna Gain (dB)	Max. EIRP Average (dBm)	Max. EIRP Average (mW)	Polarization Of Max. ERP	
1.4MHz Band QPSK	6/0	1710.7	-1.54	3.12	27.58	22.92	195.884	Vertical	Pass
		1732.5	-1.38	3.27	27.61	22.96	197.697	Vertical	Pass
		1754.3	-1.43	3.29	27.63	22.91	195.434	Vertical	Pass
1.4MHz Band 16 QAM	6/0	1710.7	-2.57	3.12	27.58	21.89	154.525	Vertical	Pass
		1732.5	-2.58	3.27	27.61	21.76	149.968	Vertical	Pass
		1754.3	-2.50	3.29	27.63	21.84	152.757	Vertical	Pass
3.0MHz Band QPSK	15/0	1711.5	-1.52	3.13	27.61	22.96	197.697	Vertical	Pass
		1732.5	-1.41	3.27	27.61	22.93	196.336	Vertical	Pass
		1753.5	-1.35	3.30	27.62	22.97	198.153	Vertical	Pass
3.0MHz Band 16 QAM	15/0	1711.5	-2.76	3.13	27.61	21.72	148.594	Vertical	Pass
		1732.5	-2.83	3.27	27.61	21.51	141.579	Vertical	Pass
		1753.5	-2.69	3.30	27.62	21.63	145.546	Vertical	Pass
5.0MHz Band QPSK	25/0	1712.5	-1.44	3.13	27.63	23.06	202.302	Vertical	Pass
		1732.5	-1.37	3.27	27.61	22.97	198.153	Vertical	Pass
		1752.5	-1.38	3.30	27.60	22.92	195.884	Vertical	Pass
5.0MHz Band 16 QAM	25/0	1712.5	-2.91	3.13	27.63	21.59	144.212	Vertical	Pass
		1732.5	-2.62	3.27	27.61	21.72	148.594	Vertical	Pass
		1752.5	-2.56	3.30	27.60	21.74	149.279	Vertical	Pass
10.0MHz Band QPSK	50/0	1715	-1.60	3.15	27.64	22.89	194.536	Vertical	Pass
		1732.5	-1.69	3.31	27.61	22.61	182.390	Vertical	Pass
		1750	-1.46	3.33	27.59	22.80	190.546	Vertical	Pass
10.0MHz Band 16 QAM	50/0	1715	-2.70	3.15	27.64	21.79	151.008	Vertical	Pass
		1732.5	-2.64	3.31	27.61	21.66	146.555	Vertical	Pass
		1750	-2.62	3.33	27.59	21.64	145.881	Vertical	Pass
15.0MHz Band QPSK	75/0	1717.5	-1.51	3.15	27.65	22.99	199.067	Vertical	Pass
		1732.5	-2.07	3.31	27.61	22.23	167.109	Vertical	Pass
		1747.5	-1.08	3.33	27.57	23.16	207.014	Vertical	Pass
15.0MHz Band 16 QAM	75/0	1717.5	-2.74	3.15	27.65	21.76	149.968	Vertical	Pass
		1732.5	-2.79	3.31	27.61	21.51	141.579	Vertical	Pass
		1747.5	-2.60	3.33	27.57	21.64	145.881	Vertical	Pass

20.0MH z Band QPSK	100/0	1720	-1.41	3.17	27.66	23.08	203.236	Vertical	Pass
		1732.5	-1.29	3.32	27.61	23.00	199.526	Vertical	Pass
		1745	-1.28	3.36	27.56	22.92	195.884	Vertical	Pass
20.0MH z Band 16 QAM	100/0	1720	-2.73	3.17	27.66	21.76	149.968	Vertical	Pass
		1732.5	-2.66	3.32	27.61	21.63	145.546	Vertical	Pass
		1745	-2.52	3.36	27.56	21.68	147.231	Vertical	Pass

Note:

SG Level= Signal generator output

Max. EIRP Average (dBm)= Antenna Gain(dB)+ SG Level (dBm)- Cable Loss(dBm)

Radiated Power (EIRP) for Band 4									
Mode	RB/RB SIZE	Frequency	Result						Conclusion
			SG Level (dBm)	Cable Loss (dBm)	Antenna Gain (dB)	Max. EIRP Average (dBm)	Max. EIRP Average (mW)	Polarization Of Max. ERP	
1.4MHz Band QPSK	6/0	1710.7	-1.90	3.12	27.58	22.56	180.302	Horizontal	Pass
		1732.5	-1.82	3.27	27.61	22.52	178.649	Horizontal	Pass
		1754.3	-2.01	3.29	27.63	22.33	171.002	Horizontal	Pass
1.4MHz Band 16 QAM	6/0	1710.7	-2.97	3.12	27.58	21.49	140.929	Horizontal	Pass
		1732.5	-2.95	3.27	27.61	21.39	137.721	Horizontal	Pass
		1754.3	-3.13	3.29	27.63	21.21	132.130	Horizontal	Pass
3.0MHz Band QPSK	15/0	1711.5	-1.82	3.13	27.61	22.66	184.502	Horizontal	Pass
		1732.5	-1.70	3.27	27.61	22.64	183.654	Horizontal	Pass
		1753.5	-1.90	3.30	27.62	22.42	174.582	Horizontal	Pass
3.0MHz Band 16 QAM	15/0	1711.5	-3.25	3.13	27.61	21.23	132.739	Horizontal	Pass
		1732.5	-3.23	3.27	27.61	21.11	129.122	Horizontal	Pass
		1753.5	-2.95	3.30	27.62	21.37	137.088	Horizontal	Pass
5.0MHz Band QPSK	25/0	1712.5	-1.81	3.13	27.63	22.69	185.780	Horizontal	Pass
		1732.5	-1.82	3.27	27.61	22.52	178.649	Horizontal	Pass
		1752.5	-1.86	3.30	27.60	22.44	175.388	Horizontal	Pass
5.0MHz Band 16 QAM	25/0	1712.5	-3.32	3.13	27.63	21.18	131.220	Horizontal	Pass
		1732.5	-3.05	3.27	27.61	21.29	134.586	Horizontal	Pass
		1752.5	-2.98	3.30	27.60	21.32	135.519	Horizontal	Pass
10.0MHz Band QPSK	50/0	1715	-1.88	3.15	27.64	22.61	182.390	Horizontal	Pass
		1732.5	-1.83	3.31	27.61	22.47	176.604	Horizontal	Pass
		1750	-1.74	3.33	27.59	22.52	178.649	Horizontal	Pass
10.0MHz Band 16 QAM	50/0	1715	-3.10	3.15	27.64	21.39	137.721	Horizontal	Pass
		1732.5	-2.89	3.31	27.61	21.41	138.357	Horizontal	Pass
		1750	-2.96	3.33	27.59	21.30	134.896	Horizontal	Pass
15.0MHz Band QPSK	75/0	1717.5	-2.04	3.15	27.65	22.46	176.198	Horizontal	Pass
		1732.5	-1.87	3.31	27.61	22.43	174.985	Horizontal	Pass
		1747.5	-1.75	3.33	27.57	22.49	177.419	Horizontal	Pass
15.0MHz Band 16 QAM	75/0	1717.5	-2.92	3.15	27.65	21.58	143.880	Horizontal	Pass
		1732.5	-3.09	3.31	27.61	21.21	132.130	Horizontal	Pass
		1747.5	-2.82	3.33	27.57	21.42	138.676	Horizontal	Pass
20.0MHz Band	100/0	1720	-1.76	3.17	27.66	22.73	187.499	Horizontal	Pass
		1732.5	-2.02	3.32	27.61	22.27	168.655	Horizontal	Pass

QPSK		1745	-1.60	3.36	27.56	22.60	181.970	Horizontal	Pass
20.0MH	100/0	1720	-3.05	3.17	27.66	21.44	139.316	Horizontal	Pass
z Band		1732.5	-3.00	3.32	27.61	21.29	134.586	Horizontal	Pass
16 QAM		1745	-2.84	3.36	27.56	21.36	136.773	Horizontal	Pass

Note:

SG Level= Signal generator output

Max. EIRP Average (dBm)= Antenna Gain(dB)+ SG Level (dBm)- Cable Loss(dBm)

8.4 LTE BAND 5

Radiated Power (ERP) for Band 5										
Mode	RB/ RB SIZE	Frequ ncy	Result							Conclu sion
			SG Level (dBm)	Cable Loss (dBm)	Anten na Gain (dB)	Corre ction (dB)	Max. ERP Averag e (dBm)	Max. ERP Averag e (mW)	Polarizati on Of Max. ERP	
1.4MHz Band QPSK	6/0	824.7	7.45	2.01	19.68	2.15	22.97	198.153	Vertical	Pass
		836.5	7.59	2.01	19.77	2.15	23.20	208.930	Vertical	Pass
		848.3	7.51	2.02	19.82	2.15	23.16	207.014	Vertical	Pass
1.4MHz Band 16 QAM	6/0	824.7	6.50	2.01	19.68	2.15	22.02	159.221	Vertical	Pass
		836.5	6.52	2.01	19.77	2.15	22.13	163.305	Vertical	Pass
		848.3	6.43	2.02	19.82	2.15	22.08	161.436	Vertical	Pass
3.0MHz Band QPSK	15/0	825.5	7.32	2.01	19.70	2.15	22.86	193.197	Vertical	Pass
		836.5	7.29	2.01	19.77	2.15	22.90	194.984	Vertical	Pass
		847.5	7.42	2.02	19.81	2.15	23.06	202.302	Vertical	Pass
3.0MHz Band 16 QAM	15/0	825.5	6.59	2.01	19.70	2.15	22.13	163.305	Vertical	Pass
		836.5	6.46	2.01	19.77	2.15	22.07	161.065	Vertical	Pass
		847.5	6.34	2.02	19.81	2.15	21.98	157.761	Vertical	Pass
5.0MHz Band QPSK	25/0	826.5	7.31	2.01	19.71	2.15	22.86	193.197	Vertical	Pass
		836.5	7.29	2.01	19.77	2.15	22.90	194.984	Vertical	Pass
		846.5	7.23	2.02	19.79	2.15	22.85	192.752	Vertical	Pass
5.0MHz Band 16 QAM	25/0	826.5	6.39	2.01	19.71	2.15	21.94	156.315	Vertical	Pass
		836.5	6.36	2.01	19.77	2.15	21.97	157.398	Vertical	Pass
		846.5	6.38	2.02	19.79	2.15	22.00	158.489	Vertical	Pass
10.0MH z Band QPSK	50/0	829	7.57	2.01	19.73	2.15	23.14	206.063	Vertical	Pass
		836.5	7.46	2.01	19.77	2.15	23.07	202.768	Vertical	Pass
		844	7.42	2.02	19.78	2.15	23.03	200.909	Vertical	Pass
10.0MH z Band 16 QAM	50/0	829	6.64	2.01	19.73	2.15	22.21	166.341	Vertical	Pass
		836.5	6.34	2.01	19.77	2.15	21.95	156.675	Vertical	Pass
		844	6.45	2.02	19.78	2.15	22.06	160.694	Vertical	Pass

Note:

SG Level= Signal generator output

Max. EIRP Average (dBm)= Antenna Gain(dB)+ SG Level (dBm)- Cable Loss(dBm)

Radiated Power (ERP) for Band 5										
Mode	RB/ RB SIZE	Freque ncy	Result							Conclu sion
			SG Level (dBm)	Cable Loss (dBm)	Anten na Gain (dB)	Corre ction (dB)	Max. ERP Averag e (dBm)	Max. ERP Averag e (mW)	Polarizati on Of Max. ERP	
1.4MHz Band QPSK	6/0	824.7	7.25	2.01	19.68	2.15	22.77	189.234	Horizontal	Pass
		836.5	7.22	2.01	19.77	2.15	22.83	191.867	Horizontal	Pass
		848.3	7.15	2.02	19.82	2.15	22.80	190.546	Horizontal	Pass
1.4MHz Band 16 QAM	6/0	824.7	6.24	2.01	19.68	2.15	21.76	149.968	Horizontal	Pass
		836.5	5.92	2.01	19.77	2.15	21.53	142.233	Horizontal	Pass
		848.3	6.03	2.02	19.82	2.15	21.68	147.231	Horizontal	Pass
3.0MHz Band QPSK	15/0	825.5	7.12	2.01	19.70	2.15	22.66	184.502	Horizontal	Pass
		836.5	7.17	2.01	19.77	2.15	22.78	189.671	Horizontal	Pass
		847.5	7.08	2.02	19.81	2.15	22.72	187.068	Horizontal	Pass
3.0MHz Band 16 QAM	15/0	825.5	6.04	2.01	19.70	2.15	21.58	143.880	Horizontal	Pass
		836.5	6.02	2.01	19.77	2.15	21.63	145.546	Horizontal	Pass
		847.5	5.98	2.02	19.81	2.15	21.62	145.211	Horizontal	Pass
5.0MHz Band QPSK	25/0	826.5	6.92	2.01	19.71	2.15	22.47	176.604	Horizontal	Pass
		836.5	6.94	2.01	19.77	2.15	22.55	179.887	Horizontal	Pass
		846.5	6.98	2.02	19.79	2.15	22.60	181.970	Horizontal	Pass
5.0MHz Band 16 QAM	25/0	826.5	6.08	2.01	19.71	2.15	21.63	145.546	Horizontal	Pass
		836.5	5.87	2.01	19.77	2.15	21.48	140.605	Horizontal	Pass
		846.5	5.94	2.02	19.79	2.15	21.56	143.219	Horizontal	Pass
10.0MH z Band QPSK	50/0	829	7.26	2.01	19.73	2.15	22.83	191.867	Horizontal	Pass
		836.5	7.09	2.01	19.77	2.15	22.70	186.209	Horizontal	Pass
		844	6.99	2.02	19.78	2.15	22.60	181.970	Horizontal	Pass
10.0MH z Band 16 QAM	50/0	829	5.88	2.01	19.73	2.15	21.45	139.637	Horizontal	Pass
		836.5	5.91	2.01	19.77	2.15	21.52	141.906	Horizontal	Pass
		844	5.83	2.02	19.78	2.15	21.44	139.316	Horizontal	Pass

Note:

SG Level= Signal generator output

Max. EIRP Average (dBm)= Antenna Gain(dB)+ SG Level (dBm)- Cable Loss(dBm)

8.5 LTE BAND 7

Radiated Power (EIRP) for Band 7									
Mode	RB/ RB SIZE	Frequency	Result						Conclusion
			SG Level (dBm)	Cabl e Loss (dBm)	Antenn a Gain (dB)	Max. EIRP Averag e (dBm)	Max. EIRP Averag e (mW)	Polarizati on Of Max. ERP	
5.0MHz Band QPSK	25/0	2502.5	-0.11	4.54	27.75	23.10	204.174	Vertical	Pass
		2535	0.13	4.69	27.72	23.16	207.014	Vertical	Pass
		2567.5	0.14	4.71	27.71	23.14	206.063	Vertical	Pass
5.0MHz Band 16 QAM	25/0	2502.5	-1.25	4.54	27.75	21.96	157.036	Vertical	Pass
		2535	-0.95	4.69	27.72	22.08	161.436	Vertical	Pass
		2567.5	-0.87	4.71	27.71	22.13	163.305	Vertical	Pass
10.0MH z Band QPSK	50/0	2505	-0.15	4.55	27.76	23.06	202.302	Vertical	Pass
		2535	0.00	4.69	27.72	23.03	200.909	Vertical	Pass
		2565	-0.06	4.72	27.70	22.92	195.884	Vertical	Pass
10.0MH z Band 16 QAM	50/0	2505	-1.32	4.55	27.76	21.89	154.525	Vertical	Pass
		2535	-1.12	4.69	27.72	21.91	155.239	Vertical	Pass
		2565	-1.00	4.72	27.70	21.98	157.761	Vertical	Pass
15.0MH z Band QPSK	75/0	2507.5	-0.16	4.55	27.77	23.06	202.302	Vertical	Pass
		2535	0.01	4.69	27.72	23.04	201.372	Vertical	Pass
		2562.5	0.19	4.72	27.69	23.16	207.014	Vertical	Pass
15.0MH z Band 16 QAM	75/0	2507.5	-1.20	4.55	27.77	22.02	159.221	Vertical	Pass
		2535	-1.20	4.69	27.72	21.83	152.405	Vertical	Pass
		2562.5	-1.13	4.72	27.69	21.84	152.757	Vertical	Pass
20.0MH z Band QPSK	100/ 0	2510	-0.35	4.57	27.78	22.86	193.197	Vertical	Pass
		2535	-0.08	4.73	27.72	22.91	195.434	Vertical	Pass
		2560	0.03	4.75	27.68	22.96	197.697	Vertical	Pass
20.0MH z Band 16 QAM	100/ 0	2510	-1.40	4.57	27.78	21.81	151.705	Vertical	Pass
		2535	-1.06	4.73	27.72	21.93	155.955	Vertical	Pass
		2560	-0.96	4.75	27.68	21.97	157.398	Vertical	Pass

Note:

SG Level= Signal generator output

Max. EIRP Average (dBm)= Antenna Gain(dB)+ SG Level (dBm)- Cable Loss(dBm)

Radiated Power (EIRP) for Band 7									
Mode	RB/ RB SIZE	Frequency	Result						Conclusion
			SG Level (dBm)	Cable Loss (dBm)	Antenna Gain (dB)	Max. EIRP Average (dBm)	Max. EIRP Average (mW)	Polarization Of Max. ERP	
5.0MHz Band QPSK	25/0	2502.5	-0.49	4.54	27.75	22.72	187.068	Horizontal	Pass
		2535	-0.23	4.69	27.72	22.80	190.546	Horizontal	Pass
		2567.5	-0.18	4.71	27.71	22.82	191.426	Horizontal	Pass
5.0MHz Band 16 QAM	25/0	2502.5	-1.49	4.54	27.75	21.72	148.594	Horizontal	Pass
		2535	-1.42	4.69	27.72	21.61	144.877	Horizontal	Pass
		2567.5	-1.44	4.71	27.71	21.56	143.219	Horizontal	Pass
10.0MHz z Band QPSK	50/0	2505	-0.58	4.55	27.76	22.63	183.231	Horizontal	Pass
		2535	-0.47	4.69	27.72	22.56	180.302	Horizontal	Pass
		2565	-0.44	4.72	27.70	22.54	179.473	Horizontal	Pass
10.0MHz z Band 16 QAM	50/0	2505	-1.64	4.55	27.76	21.57	143.549	Horizontal	Pass
		2535	-1.63	4.69	27.72	21.40	138.038	Horizontal	Pass
		2565	-1.46	4.72	27.70	21.52	141.906	Horizontal	Pass
15.0MHz z Band QPSK	75/0	2507.5	-0.64	4.55	27.77	22.58	181.134	Horizontal	Pass
		2535	-0.32	4.69	27.72	22.71	186.638	Horizontal	Pass
		2562.5	-0.28	4.72	27.69	22.69	185.780	Horizontal	Pass
15.0MHz z Band 16 QAM	75/0	2507.5	-1.76	4.55	27.77	21.46	139.959	Horizontal	Pass
		2535	-1.61	4.69	27.72	21.42	138.676	Horizontal	Pass
		2562.5	-1.53	4.72	27.69	21.44	139.316	Horizontal	Pass
20.0MHz z Band QPSK	100/0	2510	-0.47	4.57	27.78	22.74	187.932	Horizontal	Pass
		2535	-0.23	4.73	27.72	22.76	188.799	Horizontal	Pass
		2560	-0.26	4.75	27.68	22.67	184.927	Horizontal	Pass
20.0MHz z Band 16 QAM	100/0	2510	-1.60	4.57	27.78	21.61	144.877	Horizontal	Pass
		2535	-1.49	4.73	27.72	21.50	141.254	Horizontal	Pass
		2560	-1.31	4.75	27.68	21.62	145.211	Horizontal	Pass

Note:

SG Level= Signal generator output

Max. EIRP Average (dBm)= Antenna Gain(dB)+ SG Level (dBm)- Cable Loss(dBm)

9. SPURIOUS RADIATION EMISSION

RULE PART(S)

FCC: §2.1053, §22.917, §24.238 and §27.53

LIMIT

§22.917 (e) and §24.238 (a): Out of band emissions. The power of any emission outside of the authorized operating frequency ranges must be attenuated below the transmitting power (P) by a factor of at least $43 + 10 \log (P)$ dB.

§27.53 (g) For operations in the 698–746 MHz band, the power of any emission outside a licensee's frequency band(s) of operation shall be attenuated below the transmitter power (P) within the licensed band(s) of operation, measured in watts, by at least $43 + 10 \log (P)$ dB.

§27.53 (h) For operations in the 1710–1755 MHz and 2110–2155 MHz bands, the power of any emission outside a licensee's frequency block shall be attenuated below the transmitter power (P) by at least $43 + 10 \log_{10}(P)$ dB.

TEST PROCEDURE

For Cellular equipment - Compliance with these rules is based on the use of measurement instrumentation employing a resolution bandwidth of 100 kHz or greater. In the 1 MHz bands immediately outside and adjacent to the frequency block a resolution bandwidth of at least one percent of the emission bandwidth of the fundamental emission of the transmitter may be employed. A narrower resolution bandwidth is permitted in all cases to improve measurement accuracy provided the measured power is integrated over the full required measurement bandwidth (i.e. 100 kHz or 1 percent of emission bandwidth, as specified). The emission bandwidth is defined as the width of the signal between two points, one below the carrier center frequency and one above the carrier center frequency, outside of which all emissions are attenuated at least 26 dB below the transmitter power.

For PCS equipment - Compliance with these rules is based on the use of measurement instrumentation employing a resolution bandwidth of 1 MHz or greater. However, in the 1 MHz bands immediately outside and adjacent to the frequency block a resolution bandwidth of at least one percent of the emission bandwidth of the fundamental emission of the transmitter may be employed. A narrower resolution bandwidth is permitted in all cases to improve measurement accuracy provided the measured power is integrated over the full required measurement bandwidth (i.e. 1 MHz or 1 percent of emission bandwidth, as specified). The emission bandwidth is defined as the width of the signal between two points, one below the carrier center frequency and one above the carrier center frequency, outside of which all emissions are attenuated at least 26 dB below the transmitter power.

The unwanted emission power shall be measured with a resolution bandwidth of at least 1% of the occupied bandwidth in the 1 MHz band immediately outside and adjacent to the channel edge of the equipment. Beyond the 1 MHz band immediately outside the channel edge of the equipment, a resolution bandwidth of 1 MHz shall be employed. A narrower resolution bandwidth is allowed to be used provided that the measured power is integrated over the full required measurement bandwidth of 1 MHz or 1% of the occupied bandwidth as applicable.

The power of any unwanted emissions measured from the channel edge of the equipment shall be attenuated below the transmitter power, P (dBW), as follows:

- a. for base station and subscriber equipment, other than mobile subscriber equipment, the attenuation shall not be less than $43 + 10 \text{ Log}_{10} (p)$, dB; and
- b. for mobile subscriber equipment, the attenuation shall not be less than $43 + 10 \text{ Log}_{10} (p)$, dB at the channel edges and $55 + 10 \text{ Log}_{10} (p)$ at 5.5 MHz away and beyond the channel edges where p in (a) and (b) is the transmitter power measured in watts.

MODES TESTED

- LTE Band 2
LTE Band 4
- LTE Band 5
LTE Band 7

RESULTS

PASS

9.1 LTE BAND 2

QPSK EIRP POWER FOR LTE BAND 2 (1.4MHZ BANDWIDTH)

Test Results for Low Channel 1850.7MHz							
Frequency(MHz)	SG Level(dBm)	Cable Loss(dB)	Antenna Gain(dB)	Absolute Level(dBm)	Limit (dBm)	Margin(dBm)	Polarity
3701.4	-47.57	4.04	33.51	-18.10	-13	-5.10	Horizontal
3701.4	-48.65	4.04	33.51	-19.18	-13	-6.18	Vertical
5552.1	-48.17	5.24	35.84	-17.57	-13	-4.57	Vertical
5552.1	-48.57	5.24	35.84	-17.97	-13	-4.97	Horizontal
Test Results for Mid Channel 1880MHz							
3760	-48.68	4.04	33.56	-19.16	-13	-6.16	Horizontal
3760	-49.47	4.04	33.56	-19.95	-13	-6.95	Vertical
5640	-48.68	5.24	35.91	-18.01	-13	-5.01	Vertical
5640	-48.21	5.24	35.91	-17.54	-13	-4.54	Horizontal
Test Results for High Channel 1909.3MHz							
3818.6	-49.55	4.04	34.00	-19.59	-13	-6.59	Horizontal
3818.6	-48.54	4.04	34.00	-18.58	-13	-5.58	Vertical
5727.9	-48.90	5.24	36.04	-18.10	-13	-5.10	Vertical
5727.9	-49.01	5.24	36.04	-18.21	-13	-5.21	Horizontal

QPSK EIRP POWER FOR LTE BAND 2 (20.0MHZ BANDWIDTH)

Test Results for Low Channel 1860MHz							
Frequency(MHz)	SG Level(dBm)	Cable Loss(dB)	Antenna Gain(dB)	Absolute Level(dBm)	Limit (dBm)	Margin(dBm)	Polarity
3720	-47.01	4.07	33.54	-17.54	-13	-4.54	Horizontal
3720	-48.34	4.07	33.54	-18.87	-13	-5.87	Vertical
5580	-48.65	5.28	35.86	-18.07	-13	-5.07	Vertical
5580	-49.57	5.28	35.86	-18.99	-13	-5.99	Horizontal
Test Results for Mid Channel 1880MHz							
3760	-49.17	4.04	33.56	-19.65	-13	-6.65	Horizontal
3760	-47.57	4.04	33.56	-18.05	-13	-5.05	Vertical
5640	-49.65	5.24	35.91	-18.98	-13	-5.98	Vertical
5640	-48.17	5.24	35.91	-17.50	-13	-4.50	Horizontal
Test Results for High Channel 1900MHz							
3800	-49.57	4.04	34.00	-19.61	-13	-6.61	Horizontal
3800	-48.65	4.04	34.00	-18.69	-13	-5.69	Vertical
5700	-48.86	5.24	36.04	-18.06	-13	-5.06	Vertical
5700	-49.34	5.24	36.04	-18.54	-13	-5.54	Horizontal

Note: P_{Mea}(dBm)= Power(dBm)+ ARpl (dBm)

. Over Limit= : P_{Mea}(dBm)-Limit(dBm)

. We test both H direction and V direction, recorded worst case direction.

9.2 LTE BAND 4

QPSK EIRP POWER FOR LTE BAND 4 (1.4MHZ BANDWIDTH)

Test Results for Low Channel 1710.7MHz							
Frequency(MHz)	SG Level(dBm)	Cable Loss(dB)	Antenna Gain(dB)	Absolute Level(dBm)	Limit (dBm)	Margin(dBm)	Polarity
3421.4	-53.94	4.02	29.80	-28.16	-13	-15.16	Horizontal
3421.4	-57.01	4.02	29.80	-31.23	-13	-18.23	Vertical
5132.1	-58.16	5.24	35.84	-27.56	-13	-14.56	Vertical
5132.1	-56.94	5.24	35.84	-26.34	-13	-13.34	Horizontal
Test Results for Mid Channel 1732.5MHz							
3465.0	-52.45	4.03	30.00	-26.48	-13	-13.48	Horizontal
3465.0	-53.94	4.03	30.00	-27.97	-13	-14.97	Vertical
5197.5	-57.78	5.25	35.86	-27.17	-13	-14.17	Vertical
5197.5	-55.60	5.25	35.86	-24.99	-13	-11.99	Horizontal
Test Results for High Channel 1754.3MHz							
3508.6	-54.43	4.05	30.01	-28.47	-13	-15.47	Horizontal
3508.6	-56.94	4.05	30.01	-30.98	-13	-17.98	Vertical
5262.9	-54.24	5.26	35.86	-23.64	-13	-10.64	Vertical
5262.9	-53.19	5.26	35.86	-22.59	-13	-9.59	Horizontal

QPSK EIRP POWER FOR LTE BAND 4 (20.0MHZ BANDWIDTH)

Test Results for Low Channel 1720MHz							
Frequency(MHz)	SG Level(dBm)	Cable Loss(dB)	Antenna Gain(dB)	Absolute Level(dBm)	Limit (dBm)	Margin(dBm)	Polarity
3440.0	-54.01	4.02	29.80	-28.23	-13	-15.23	Horizontal
3440.0	-54.06	4.02	29.80	-28.28	-13	-15.28	Vertical
5160.0	-60.30	5.24	35.84	-29.70	-13	-16.70	Vertical
5160.0	-58.16	5.24	35.84	-27.56	-13	-14.56	Horizontal
Test Results for Mid Channel 1732.5MHz							
3465.0	-52.56	4.03	30.00	-26.59	-13	-13.59	Horizontal
3465.0	-55.43	4.03	30.00	-29.46	-13	-16.46	Vertical
5197.5	-56.94	5.25	35.86	-26.33	-13	-13.33	Vertical
5197.5	-54.81	5.25	35.86	-24.20	-13	-11.20	Horizontal
Test Results for High Channel 1745MHz							
2490.0	-52.64	2.91	27.68	-27.87	-13	-14.87	Horizontal
3490.0	-53.96	2.91	27.68	-29.19	-13	-16.19	Vertical
5235.0	-54.73	5.26	35.86	-24.13	-13	-11.13	Vertical
5235.0	-55.90	5.26	35.86	-25.30	-13	-12.30	Horizontal

Note: P_{Mea}(dBm)= Power(dBm)+ ARpl (dBm)

Over Limit= : P_{Mea}(dBm)-Limit(dBm)

We test both H direction and V direction, recorded worst case direction.

9.3 LTE BAND 5

QPSK EIRP POWER FOR LTE BAND 5 (1.4MHZ BANDWIDTH)

Test Results for Low Channel 824.7MHz							
Frequency(MHz)	SG Level(dBm)	Cable Loss(dB)	Antenna Gain(dB)	Absolute Level(dBm)	Limit (dBm)	Margin(dBm)	Polarity
1649.4	-54.73	2.78	27.50	-30.01	-13	-17.01	Horizontal
1649.4	-55.60	2.78	27.50	-30.88	-13	-17.88	Vertical
2474.1	-54.28	2.90	27.80	-29.38	-13	-16.38	Vertical
2474.1	-51.79	2.90	27.80	-26.89	-13	-13.89	Horizontal
Test Results For Mid Channel 836.5MHz							
1673.0	-53.30	2.78	27.48	-28.60	-13	-15.60	Horizontal
1673.0	-51.43	2.78	27.48	-26.73	-13	-13.73	Vertical
2509.5	-53.94	2.91	27.70	-29.15	-13	-16.15	Vertical
2509.5	-54.00	2.91	27.70	-29.21	-13	-16.21	Horizontal
Test Results for High Channel 848.3MHz							
1696.6	-53.84	2.78	27.43	-29.19	-13	-16.19	Horizontal
1696.6	-56.90	2.78	27.43	-32.25	-13	-19.25	Vertical
2544.9	-52.74	2.92	27.74	-27.92	-13	-14.92	Vertical
2544.9	-53.99	2.92	27.74	-29.17	-13	-16.17	Horizontal

QPSK EIRP POWER FOR LTE BAND 5 (10MHZ BANDWIDTH)

Test Results for Low Channel 829MHz							
Frequency(MHz)	SG Level(dBm)	Cable Loss(dB)	Antenna Gain(dB)	Absolute Level(dBm)	Limit (dBm)	Margin(dBm)	Polarity
1658.0	-54.81	2.78	27.50	-30.09	-13	-17.09	Horizontal
1658.0	-53.94	2.78	27.50	-29.22	-13	-16.22	Vertical
2487.0	-55.84	2.90	27.80	-30.94	-13	-17.94	Vertical
2487.0	-53.46	2.90	27.80	-28.56	-13	-15.56	Horizontal
Test Results For Mid Channel 836.5MHz							
1673.0	-52.96	2.78	27.48	-28.26	-13	-15.26	Horizontal
1673.0	-53.79	2.78	27.48	-29.09	-13	-16.09	Vertical
2509.5	-54.58	2.91	27.70	-29.79	-13	-16.79	Vertical
2509.5	-54.30	2.91	27.70	-29.51	-13	-16.51	Horizontal
Test Results for High Channel 844MHz							
1688.0	-52.61	2.78	27.43	-27.96	-13	-14.96	Horizontal
1688.0	-51.95	2.78	27.43	-27.30	-13	-14.30	Vertical
2532.0	-55.58	2.92	27.74	-30.76	-13	-17.76	Vertical
2532.0	-54.06	2.92	27.74	-29.24	-13	-16.24	Horizontal

Note: P_{Mea}(dBm)= Power(dBm)+ ARpl (dBm)

. Over Limit= : P_{Mea}(dBm)-Limit(dBm)

. We test both H direction and V direction, recorded worst case direction.

9.4 LTE BAND 7

QPSK EIRP POWER FOR LTE BAND 7 (5.0MHZ BANDWIDTH)

Test Results for Low Channel 2502.5MHz							
Frequency(MHz)	SG Level(dBm)	Cable Loss(dB)	Antenna Gain(dB)	Absolute Level(dBm)	Limit (dBm)	Margin(dBm)	Polarity
5005.0	-60.82	5.23	35.81	-30.24	-25	-5.24	Horizontal
5005.0	-58.31	5.23	35.81	-27.73	-25	-2.73	Vertical
7507.5	-61.66	5.67	36.85	-30.48	-25	-5.48	Vertical
7507.5	-61.12	5.67	36.85	-29.94	-25	-4.94	Horizontal
Test Results for Mid Channel 2535MHz							
5070.0	-60.94	5.23	35.82	-30.35	-25	-5.35	Horizontal
5070.0	-61.69	5.23	35.82	-31.10	-25	-6.10	Vertical
7605.0	-62.72	5.67	36.85	-31.54	-25	-6.54	Vertical
7605.0	-64.02	5.67	36.85	-32.84	-25	-7.84	Horizontal
Test Results for High Channel 2567.5MHz							
5135.0	-70.69	5.24	35.83	-40.10	-25	-15.10	Horizontal
5135.0	-68.01	5.24	35.83	-37.42	-25	-12.42	Vertical
7702.5	-68.87	5.68	36.87	-37.68	-25	-12.68	Vertical
7702.5	-72.53	5.68	36.87	-41.34	-25	-16.34	Horizontal

QPSK EIRP POWER FOR LTE BAND 7 (20.0MHZ BANDWIDTH)

Test Results for Low Channel 2510MHz							
Frequency(MHz)	SG Level(dBm)	Cable Loss(dB)	Antenna Gain(dB)	Absolute Level(dBm)	Limit (dBm)	Margin(dBm)	Polarity
5020	-64.31	5.23	35.82	-33.72	-25	-8.72	Horizontal
5020	-63.46	5.23	35.82	-32.87	-25	-7.87	Vertical
7530	-63.43	5.67	36.86	-32.24	-25	-7.24	Vertical
7530	-59.67	5.67	36.86	-28.48	-25	-3.48	Horizontal
Test Results for Mid Channel 2535MHz							
5070	-61.04	5.23	35.82	-30.45	-25	-5.45	Horizontal
5070	-61.69	5.23	35.82	-31.10	-25	-6.10	Vertical
7605	-61.93	5.67	36.85	-30.75	-25	-5.75	Vertical
7605	-61.12	5.67	36.85	-29.94	-25	-4.94	Horizontal
Test Results for High Channel 2560MHz							
5120	-64.18	5.24	35.83	-33.59	-25	-8.59	Horizontal
5120	-61.61	5.24	35.83	-31.02	-25	-6.02	Vertical
7680	-65.72	5.7	36.88	-34.54	-25	-9.54	Vertical
7680	-64.16	5.7	36.88	-32.98	-25	-7.98	Horizontal

Note: P_{Mea}(dBm)= Power(dBm)+ AR_{pl} (dBm)

. Over Limit= : P_{Mea}(dBm)-Limit(dBm)

. We test both H direction and V direction, recorded worst case direction.

10. FREQUENCY STABILITY

RULE PART(S)

FCC: §2.1055, §22.355, §24.235, §27.54

LIMITS

§22.355 - The carrier frequency shall not depart from the reference frequency in excess of ± 2.5 ppm for mobile stations.

§24.235 - The frequency stability shall be sufficient to ensure that the fundamental emission stays within the authorized frequency block.

TEST PROCEDURE

Use CMW 500 with Frequency Error measurement capability.

- Temp. = -30° to $+50^{\circ}\text{C}$
- Voltage = low voltage, DC 3.2V, Normal, DC 3.8V and High voltage, DC 4.4V.

Frequency Stability vs Temperature:

The EUT is placed inside a temperature chamber. The temperature is set to -30°C and allowed to stabilize. After sufficient soak time, the transmitting frequency error is measured. The temperature is increased by 10 degrees, allowed to stabilize and soak, and then the measurement is repeated. This is repeated until $+50^{\circ}\text{C}$ is reached.

Frequency Stability vs Voltage:

The peak frequency error is recorded (worst-case).

MODES TESTED

- LTE Band 2
LTE Band 4
- LTE Band 5
LTE Band 7

RESULTS

See the following pages.

10.1 LTE BAND 2

QPSK, (20MHz BANDWIDTH)

Frequency error vs. Voltage

Voltage [Vdc]	Frequency [MHz]	Frequency* Error[Hz]	Frequency Error[ppm]	Limit [ppm]
BAND 2 QPSK, (CH 18900 RB size 100 RB Offset 0 20MHz BANDWIDTH)				
3.2	1880	6.2	0.003298	2.5
3.8	1880	3.3	0.001755	2.5
4.4	1880	9.5	0.005053	2.5

Frequency error vs. Temperature

Temperature [° C]	Frequency [MHz]	Frequency* Error[Hz]	Frequency Error[ppm]	Limit [ppm]
BAND 2 QPSK, (CH 18900 RB size 100 RB Offset 0 20MHz BANDWIDTH)				
Normal (25C)	1880	7.4	0.003936	2.5
Extreme (50C)	1880	6	0.003191	2.5
Extreme (40C)	1880	8	0.004255	2.5
Extreme (30C)	1880	4	0.002128	2.5
Extreme (10C)	1880	8.1	0.004309	2.5
Extreme (0C)	1880	10.8	0.005745	2.5
Extreme (-10C)	1880	9.7	0.005160	2.5
Extreme (-20C)	1880	9.2	0.004894	2.5
Extreme (-30C)	1880	6	0.003191	2.5

16QAM, (20MHz BANDWIDTH)

Frequency error vs. Voltage

Voltage [Vdc]	Frequency [MHz]	Frequency* Error[Hz]	Frequency Error[ppm]	Limit [ppm]
BAND 2 16QAM, (CH 18900 RB size 100 RB Offset 0 20MHz BANDWIDTH)				
3.2	1880	10	0.005319	2.5
3.8	1880	5.3	0.002819	2.5
4.4	1880	6.8	0.003617	2.5

Frequency error vs. Temperature

Temperature [° C]	Frequency [MHz]	Frequency* Error[Hz]	Frequency Error[ppm]	Limit [ppm]
BAND 2 16QAM, (CH 18900 RB size 100 RB Offset 0 20MHz BANDWIDTH)				
Normal (25C)	1880	9	0.004787	2.5
Extreme (50C)	1880	4.4	0.002340	2.5
Extreme (40C)	1880	12	0.006383	2.5
Extreme (30C)	1880	8.7	0.004628	2.5
Extreme (10C)	1880	12	0.006383	2.5
Extreme (0C)	1880	7	0.003723	2.5
Extreme (-10C)	1880	11	0.005851	2.5
Extreme (-20C)	1880	8	0.004255	2.5
Extreme (-30C)	1880	6.5	0.003457	2.5

*Note: Frequency error measurements were made by using the build-in capability of the Wireless Communication Test Set.

10.2 LTE BAND 4

QPSK, (10MHz BANDWIDTH)

Frequency error vs. Voltage

Voltage [Vdc]	Frequency [MHz]	Frequency* Error[Hz]	Frequency Error[ppm]	Limit [ppm]
BAND 4 QPSK, (CH 20175 RB size 100 RB Offset 0 20MHz BANDWIDTH)				
3.2	1732.5	10.8	0.006234	2.5
3.8	1732.5	4.9	0.002828	2.5
4.4	1732.5	6.6	0.003810	2.5

Frequency error vs. Temperature

Temperature [°C]	Frequency [MHz]	Frequency* Error[Hz]	Frequency Error[ppm]	Limit [ppm]
BAND 4 QPSK, (CH 20175 RB size 100 RB Offset 0 20MHz BANDWIDTH)				
Normal (25C)	1732.5	13	0.007504	2.5
Extreme (50C)	1732.5	5.7	0.003290	2.5
Extreme (40C)	1732.5	6.8	0.003925	2.5
Extreme (30C)	1732.5	6	0.003463	2.5
Extreme (10C)	1732.5	8.6	0.004964	2.5
Extreme (0C)	1732.5	10.9	0.006291	2.5
Extreme (-10C)	1732.5	8.6	0.004964	2.5
Extreme (-20C)	1732.5	9.8	0.005657	2.5
Extreme (-30C)	1732.5	4.3	0.002482	2.5

16QAM, (20MHz BANDWIDTH)

Frequency error vs. Voltage

Voltage [Vdc]	Frequency [MHz]	Frequency* Error[Hz]	Frequency Error[ppm]	Limit [ppm]
BAND 4 16QAM, (CH 20175 RB size 100 RB Offset 0 20MHz BANDWIDTH)				
3.2	1732.5	7.1	0.004098	2.5
3.8	1732.5	6.5	0.003752	2.5
4.4	1732.5	4.9	0.002828	2.5

Frequency error vs. Temperature

Temperature [°C]	Frequency [MHz]	Frequency* Error[Hz]	Frequency Error[ppm]	Limit [ppm]
BAND 4 16QAM, (CH 20175 RB size 100 RB Offset 0 20MHz BANDWIDTH)				
Normal (25C)	1732.5	10.7	0.006176	2.5
Extreme (50C)	1732.5	9.1	0.005253	2.5
Extreme (40C)	1732.5	7.5	0.004329	2.5
Extreme (30C)	1732.5	5	0.002886	2.5
Extreme (10C)	1732.5	9.2	0.005310	2.5
Extreme (0C)	1732.5	8	0.004618	2.5
Extreme (-10C)	1732.5	8.2	0.004733	2.5
Extreme (-20C)	1732.5	7.6	0.004387	2.5
Extreme (-30C)	1732.5	7.7	0.004444	2.5

***Note:** Frequency error measurements were made by using the build-in capability of the Wireless Communication Test Set.

10.3 LTE BAND 5

QPSK, (10MHz BANDWIDTH)

Frequency error vs. Voltage

Voltage [Vdc]	Frequency [MHz]	Frequency* Error[Hz]	Frequency Error[ppm]	Limit [ppm]
BAND 5 QPSK, (CH 20525 RB size 50 RB Offset 0 10MHz BANDWIDTH)				
3.2	836.5	8.7	0.010400	2.5
3.8	836.5	8.2	0.009803	2.5
4.4	836.5	7.4	0.008846	2.5

Frequency error vs. Temperature

Temperature [° C]	Frequency [MHz]	Frequency* Error[Hz]	Frequency Error[ppm]	Limit [ppm]
BAND 5 QPSK, (CH 20525 RB size 50 RB Offset 0 10MHz BANDWIDTH)				
Normal (25C)	836.5	8.2	0.009803	2.5
Extreme (50C)	836.5	5.2	0.006216	2.5
Extreme (40C)	836.5	10.2	0.012194	2.5
Extreme (30C)	836.5	4.9	0.005858	2.5
Extreme (10C)	836.5	6.1	0.007292	2.5
Extreme (0C)	836.5	8.5	0.010161	2.5
Extreme (-10C)	836.5	4	0.004782	2.5
Extreme (-20C)	836.5	7.1	0.008488	2.5
Extreme (-30C)	836.5	5	0.005977	2.5

16QAM, (10MHz BANDWIDTH)

Frequency error vs. Voltage

Voltage [Vdc]	Frequency [MHz]	Frequency* Error[Hz]	Frequency Error[ppm]	Limit [ppm]
BAND 5 16QAM, (CH 20525 RB size 50 RB Offset 0 10MHz BANDWIDTH)				
3.2	836.5	6.3	0.007531	2.5
3.8	836.5	7.1	0.008488	2.5
4.4	836.5	12	0.014345	2.5

Frequency error vs. Temperature

Temperature [° C]	Frequency [MHz]	Frequency* Error[Hz]	Frequency Error[ppm]	Limit [ppm]
BAND 5 16QAM, (CH 20525 RB size 50 RB Offset 0 10MHz BANDWIDTH)				
Normal (25C)	836.5	12.1	0.014465	2.5
Extreme (50C)	836.5	6.4	0.007651	2.5
Extreme (40C)	836.5	9.2	0.010998	2.5
Extreme (30C)	836.5	9	0.010759	2.5
Extreme (10C)	836.5	6.5	0.007770	2.5
Extreme (0C)	836.5	4.3	0.005140	2.5
Extreme (-10C)	836.5	5.7	0.006814	2.5
Extreme (-20C)	836.5	7.6	0.009085	2.5
Extreme (-30C)	836.5	8.9	0.010640	2.5

***Note:** Frequency error measurements were made by using the build-in capability of the Wireless Communication Test Set.

10.4 LTE BAND 7

QPSK, (20MHz BANDWIDTH)

Frequency error vs. Voltage

Voltage [Vdc]	Frequency [MHz]	Frequency* Error[Hz]	Frequency Error[ppm]	Limit [ppm]
BAND 7 QPSK, (CH 21100 RB size 100 RB Offset 0 20MHz BANDWIDTH)				
3.2	2535	8.5	0.003353	2.5
3.8	2535	6.4	0.002525	2.5
4.4	2535	9	0.003550	2.5

Frequency error vs. Temperature

Temperature [° C]	Frequency [MHz]	Frequency* Error[Hz]	Frequency Error[ppm]	Limit [ppm]
BAND 7 QPSK, (CH 21100 RB size 100 RB Offset 0 20MHz BANDWIDTH)				
Normal (25C)	2535	6.2	0.002446	2.5
Extreme (50C)	2535	7.8	0.003077	2.5
Extreme (40C)	2535	11	0.004339	2.5
Extreme (30C)	2535	12	0.004734	2.5
Extreme (10C)	2535	8.6	0.003393	2.5
Extreme (0C)	2535	6	0.002367	2.5
Extreme (-10C)	2535	10.2	0.004024	2.5
Extreme (-20C)	2535	12.1	0.004773	2.5
Extreme (-30C)	2535	8.4	0.003314	2.5

16QAM, (20MHz BANDWIDTH)

Frequency error vs. Voltage

Voltage [Vdc]	Frequency [MHz]	Frequency* Error[Hz]	Frequency Error[ppm]	Limit [ppm]
BAND 7 16QAM, (CH 21100 RB size 100 RB Offset 0 20MHz BANDWIDTH)				
3.2	2535	10	0.003945	2.5
3.8	2535	4	0.001578	2.5
4.4	2535	6.6	0.002604	2.5

Frequency error vs. Temperature

Temperature [° C]	Frequency [MHz]	Frequency* Error[Hz]	Frequency Error[ppm]	Limit [ppm]
BAND 7 16QAM, (CH 21100 RB size 100 RB Offset 0 20MHz BANDWIDTH)				
Normal (25C)	2535	6.1	0.002406	2.5
Extreme (50C)	2535	6.7	0.002643	2.5
Extreme (40C)	2535	7.5	0.002959	2.5
Extreme (30C)	2535	7.8	0.003077	2.5
Extreme (10C)	2535	11.2	0.004418	2.5
Extreme (0C)	2535	8.5	0.003353	2.5
Extreme (-10C)	2535	8.6	0.003393	2.5
Extreme (-20C)	2535	3.8	0.001499	2.5
Extreme (-30C)	2535	6.2	0.002446	2.5

***Note:** Frequency error measurements were made by using the build-in capability of the Wireless Communication Test Set.

11. Peak-to-Average Ratio

11.1 Description of the PAR Measurement

The peak-to-average ratio (PAR) of the transmission may not exceed 13 dB.

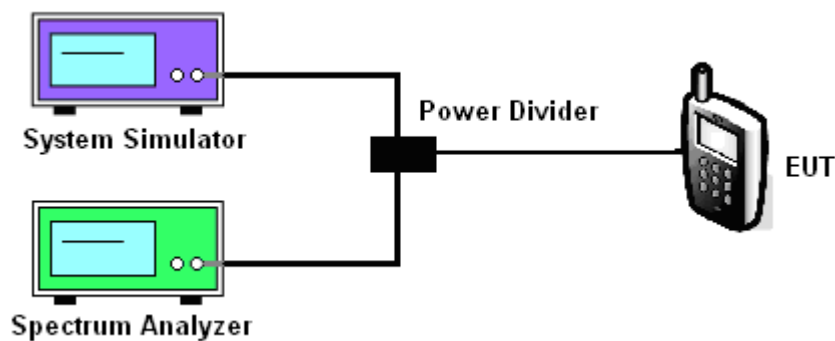
11.2 Measuring Instruments

See list of measuring instruments of this test report.

11.3 Test Procedures

1. The EUT was connected to Spectrum Analyzer and Base Station via power divider.
2. The RF output of EUT was connected to the spectrum analyzer by RF cable and attenuator. The path loss was compensated to the results for each measurement.
3. For GSM/EGPRS operating modes:
 - a. Set the RBW = 1MHz, VBW = 1MHz, Peak detector in spectrum analyzer.
 - b. Set EUT in maximum power output, and triggered the burst signal.
 - c. Measured respectively the Peak level and Mean level, and the deviation was recorded as Peak to Average Ratio.
4. For UMTS operating modes:
 - a. Set the CCDF (Complementary Cumulative Distribution Function) option in spectrum analyzer.
 - b. The highest RF powers were measured and recorded the maximum PAPR level associated with a probability of 0.1 %.

11.4 Test Setup



MODES TESTED

- LTE Band2
 - LTE Band 4
 - LTE Band5
 - LTE Band 7
- Test data reference attachment.

----END OF REPORT----