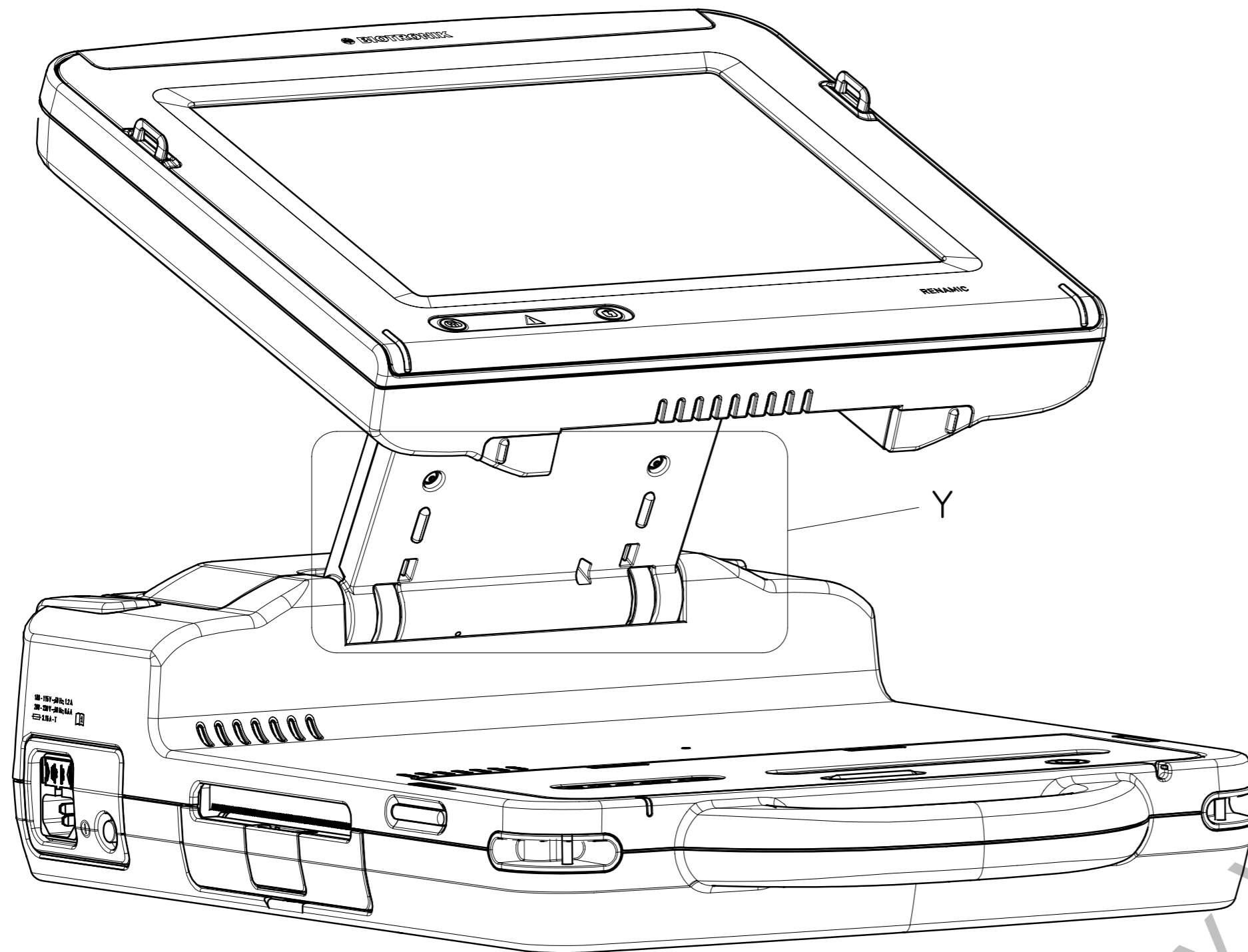


Biotronik Corporation proprietary rights are included in the information disclosed herein. This information is not to be reproduced or transmitted in any form or by any means, electronic or mechanical, including photocopying, recording, or by any information storage and retrieval system, without the prior written permission of Biotronik Corporation.

- BIOS
- BIOS
- CORR
- LIT
- MED
- MEI
- MLV-2
- MLV-4
- MSEB
- MSEI
- OEM
- OEE
- QMV-42
- QWE
- BMK
- EGK
- EGM
- EGP
- MKA
- EXE
- EIB-1
- EIC
- EID-3
- EED-
- EED-2
- EEP
- EER
- ELA
- ELF-1
- ELF-2
- ELF-3
- ELS
- SMA
- SME
- SMF
- SMF-6
- SDF

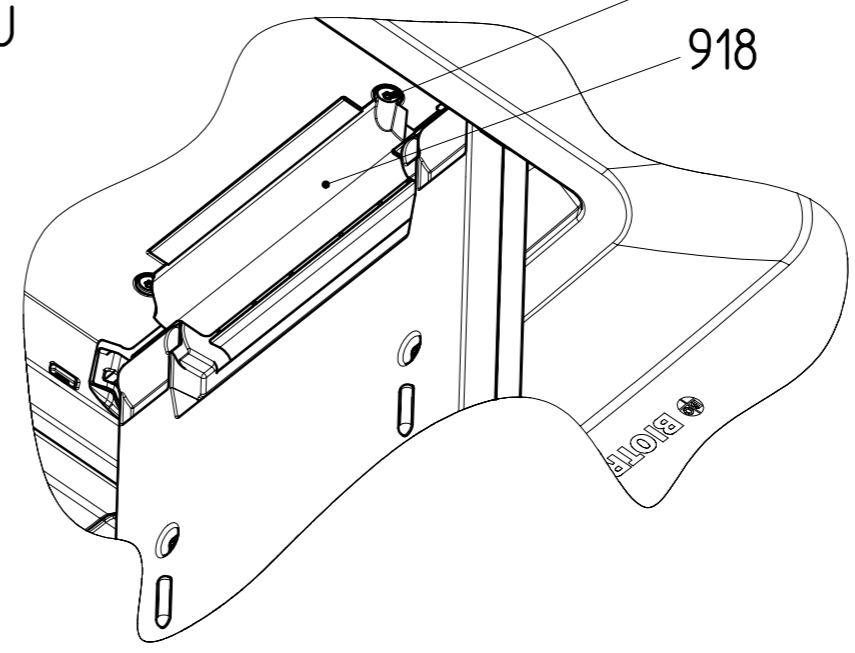
Ohne die vorherige Zustimmung der Fa. Biotronik dürfen diese Zeichnungen nicht in anderer Weise als für den vorgesehenen Zweck wiedergegeben werden.

FOR-109-019-111-1/CAD



Ansicht Geräteunterseite

U
942 (2x)****
918

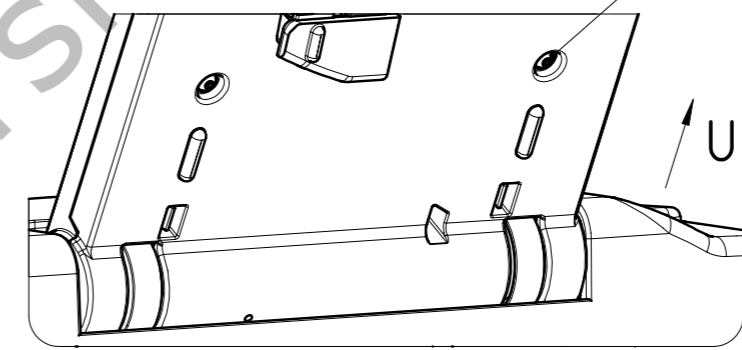


Detail V 1:1
Bedruckung IC-Label

IC: 4708A-RENAMIC

Contains IC: 1090-FV2
Contains IC: 1090-HQ1
Contains IC: 1090-KL1
Contains IC: 8516A-SM2144N2-BIO

Y
917 (2x)***,
943 (2x)



Detail W 1:1
Bedruckung FCC-Label

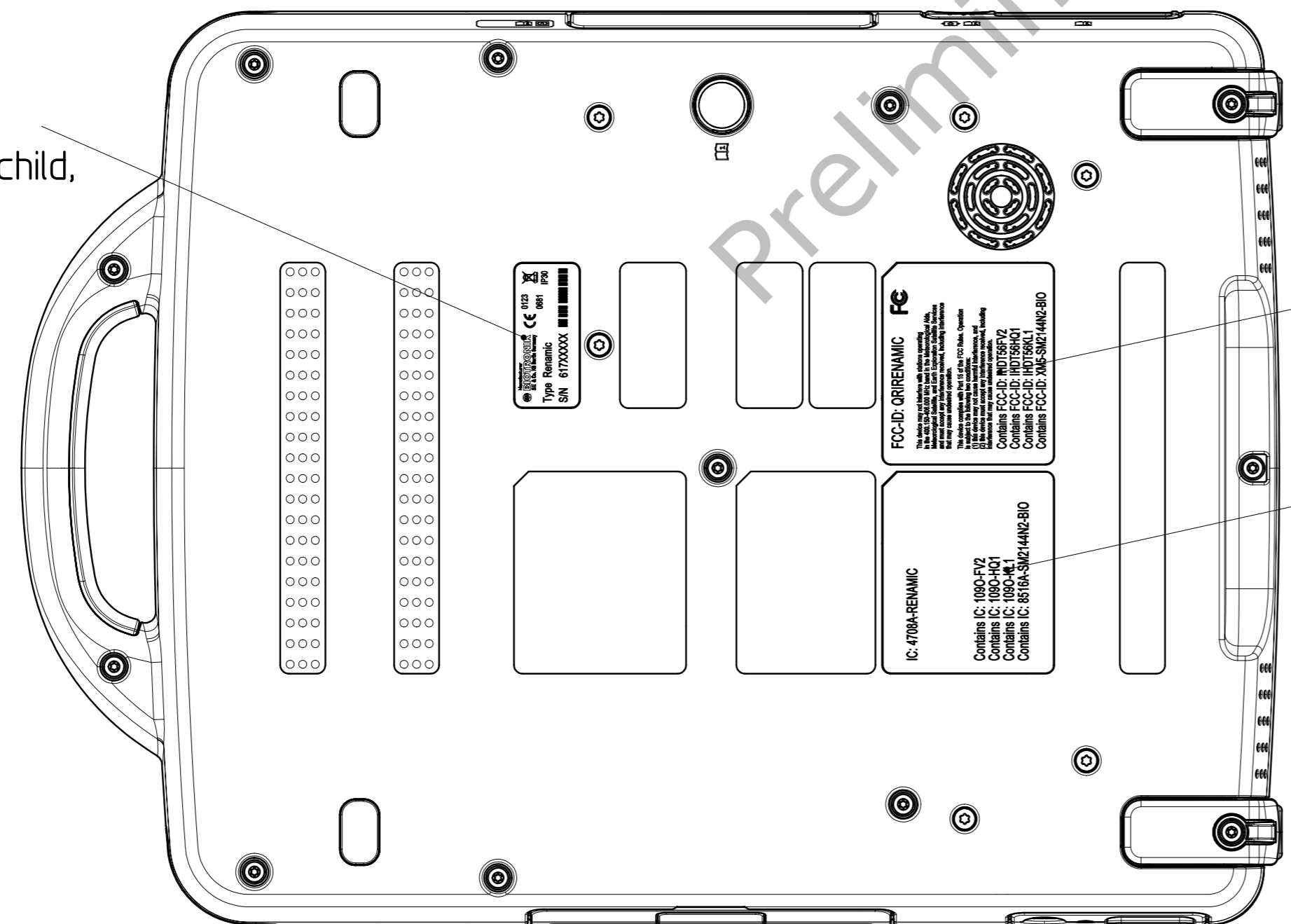
FCC-ID: QRIRENAMIC **FC**

This device may not interfere with stations operating in the 400.150-406.000 MHz band in the Meteorological Aids, Meteorological Satellite, and Earth Exploration Satellite Services and must accept any interference received, including interference that may cause undesired operation.

This device complies with Part 15 of the FCC Rules. Operation is subject to the following two conditions:
(1) this device may not cause harmful interference, and
(2) this device must accept any interference received, including interference that may cause undesired operation.

Contains FCC-ID: IHDT56FV2
Contains FCC-ID: IHDT56HQ1
Contains FCC-ID: IHDT56KL1
Contains FCC-ID: XM5-SM2144N2-BIO

503
(Biotronik Typenschild, siehe Detail X)



504 (FCC-Label, siehe Detail W)

504 (IC-Label, siehe Detail V)

Detail X 1:1
Bedruckung
Biotronik-Typenschild



Wichtiger Montagehinweis!
Anzugsmoment für entsprechend gekennzeichnete Schrauben
siehe Blatt 1/1

| | | | | | |
|-------------------------------|------------------------------------|---------------|-----------------------|------------------|------------------|
| G | FCC/IC-Label und Typenschild hinzu | stump_j1 | CRQ-10-00587 | 15.0kt.2010 | |
| F | aktualisiert, Anzugsmomente hinzu | stump_j1 | PAE-7255-018 | 27.Aug.2010 | brzank_e1 |
| E | Drehmoment hinzu, Zeichn. akt. | brzank_e1 | PAE-7255-018 | 31.Mai.2010 | krips_o1 |
| | Änderung | Geänd. | CRQ/PAE | Gültig ab | Gepr. |
| Werkstoff | | | Datum | Name | Benennung |
| | | | Gez. | 12.0kt.2009 | brzank_e1 |
| | | | Gepr. | 15.0kt.2009 | stump_j1 |
| Zulässige Abweichungen | | | Gepr. | | |
| Maßstab | BIOTRONIK | | Zeichnungs-Nr. | | 370108 |
| 1:2 | | | Status | | Arbeit |
| | | | | | Bl. 2/2 |