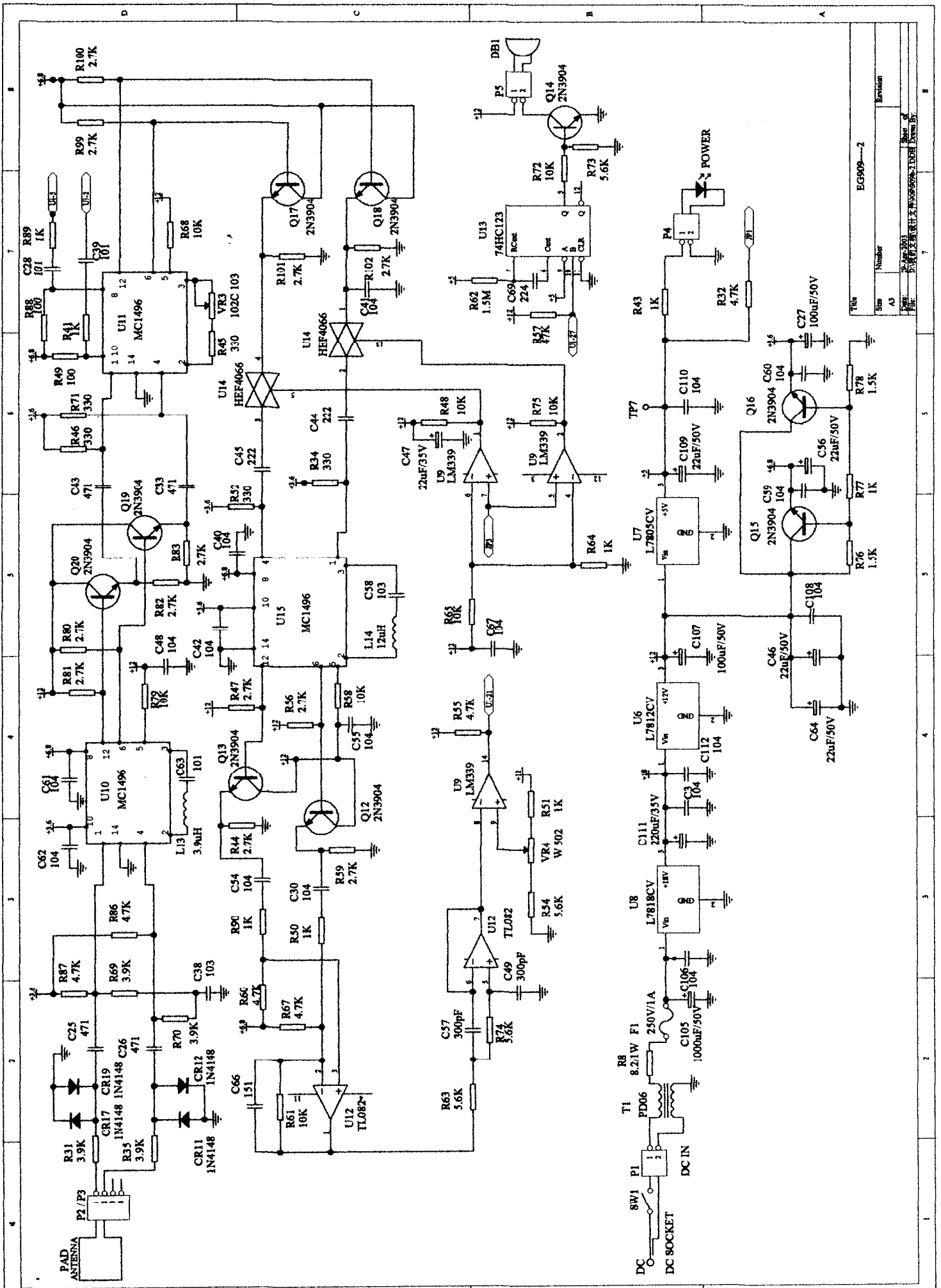


Size	Number	Revision
A3		
File	EG9009-1	
Part of		
Drawn by		
Checked by		
Approved by		

Title: EG9009-1  
 Part of:   
 Drawn by:   
 Checked by:   
 Approved by:   
 Date:   
 Scale:   
 Sheet of:   
 Total Sheets:   
 Revision:



Sheet of	8
Number of	8
Part	ECG909-2
Revision	
Step	A3
File	ECG909-2.DWG