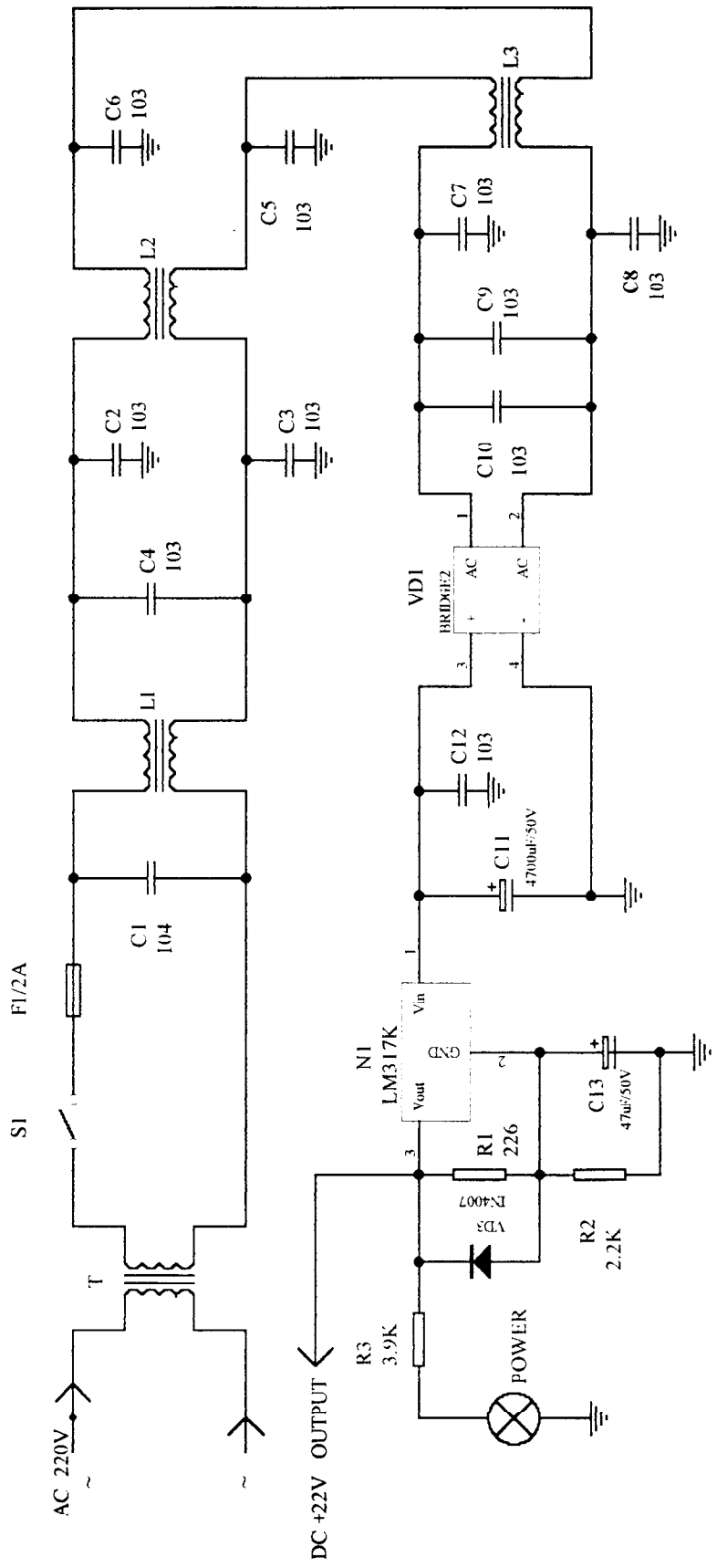


D

C

E

A



### POWER SUPPLY

Revision

Number

Size  
A4

Date: 19-Nov-2002  
 File: D:\我的文档设计文件\2233RF-power.DWG  
 Sheet of 4  
 Drawn By: