

6

5

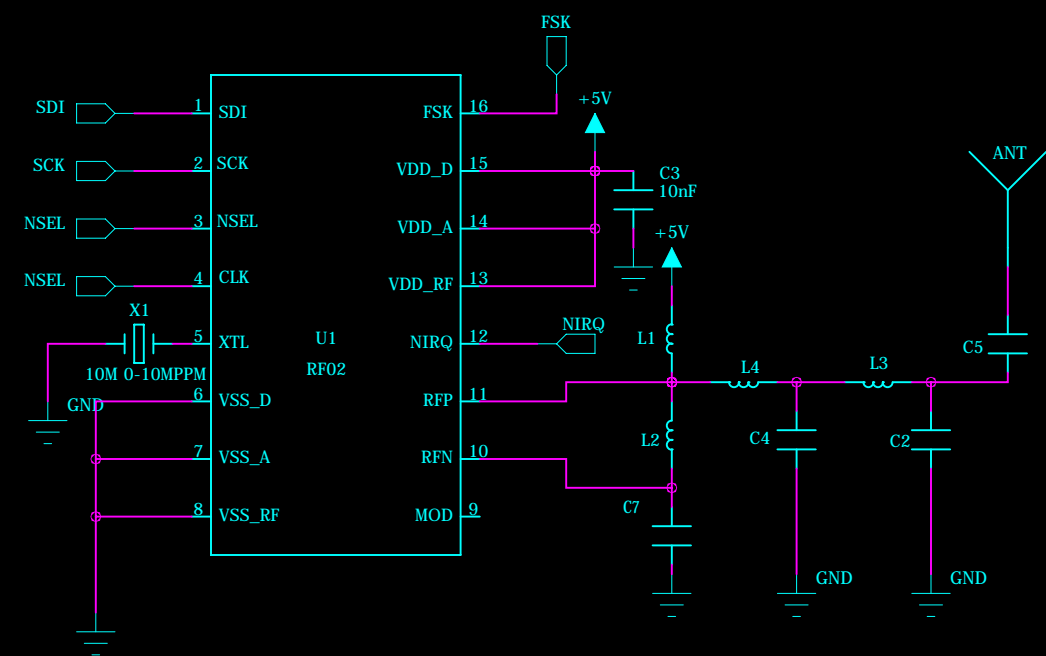
4

3

2

1

REVISION RECORD			
ECO NO:	APPROVED:	DATE:	

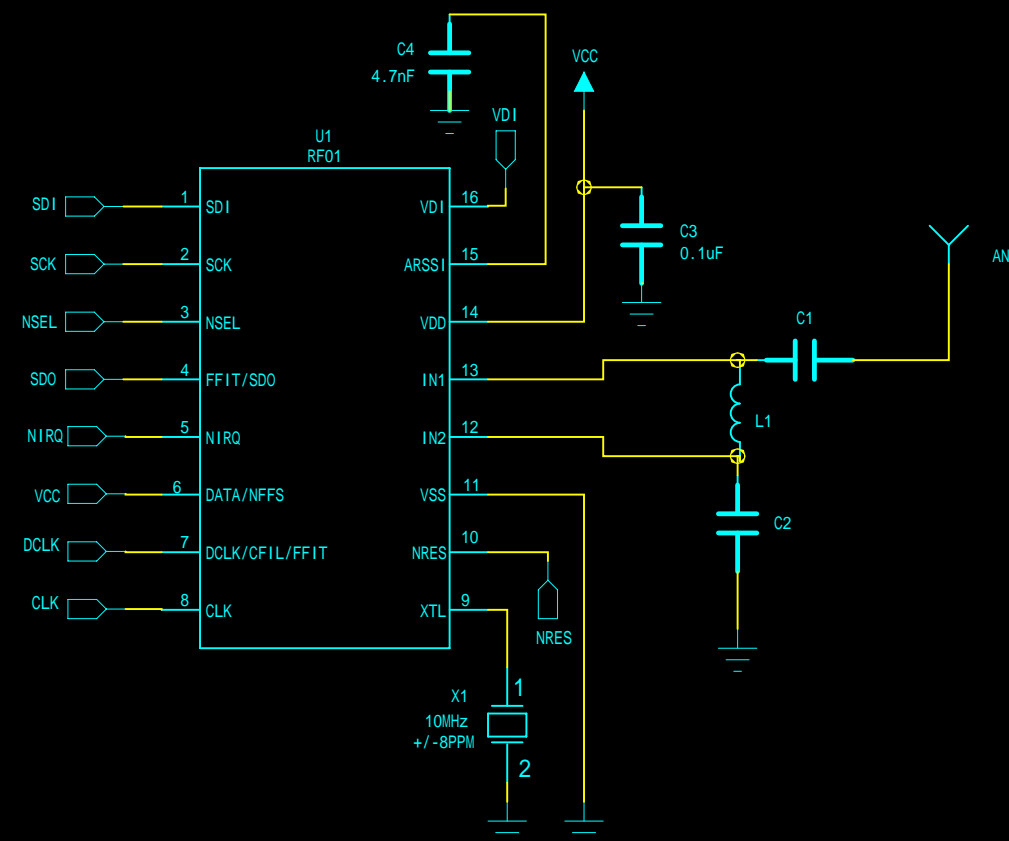


Operation Frequency Band	L1	L2	L3	L4	C2	C4	C5	C7
315MHZ								
434MHZ	220nH	27nH	27nH	33PF		5.6pF	5.6pF	3.9pF
869MHZ	47nH	10nH	12nH	8.2nH	3.9pF	3.9pF	47pF	1pF
915MHZ	47nH	10nH	12nH	8.2nH	3.9pF	3.9pF	47pF	1pF

COMPANY:				Hope Microelectronics Co., Ltd			
TITLE:				RFM02-315S/434S/869S/915S schematic			
DRAWN:	DATED:	CODE:	SIZE:	DRAWING NO:		REV:	
0908	2008.11.22	<Code>	B			V1.0	
CHECKED:	DATED:	SCALE: <Scale>		SHEET: 1 of 1			
<Checked By>	<Checked Date>						
QUALITY CONTROL:	DATED:						
<QC By>	<QC Date>						
RELEASED:	DATED:						
<Released By>	<Release Date>						

REVISION RECORD

REV:	Description Summary of Revision	APPROVED:	DATE:
1.0	初始版本	SunBo	Mar 25,08



Operation Frequency Band	L1	C1	C2
315MHz	56nH	6pF	6pF
434MHz	39nH	6pF	6pF
869MHz	18nH	2.2pF	2.2pF
915MHz	18nH	2.2pF	2.2pF



COMPANY: Hope Microelectronics Co., Ltd

DRAWN: SunBo
DATED: Mar 25,08

TITLE: RFM01-315D/434D/869D/915D schematic

APPROVAL: SunBo
DATED: Mar 25,08

REV: 1.0 SHEET: 1 OF 1