

SMART WIRES

REIMAGINE THE GRID

SmartValve™

Model: 10-3600i-63

Serial No: JJJYY-NNN-MVAR-MCC-FR-04

Made in USA

Approximate Mass: 16000 lbs (7257 kg) [See Note 2]

Mfg. Date: Month, Year

Frequency: 50/60 Hz



FCC ID: QPS01009

Patents Pending

This device complies with part 15 of the FCC Rules. Operation is subject to the following two conditions:

- (1) This device may not cause harmful interference, and
- (2) This device must accept any interference received, including interference that may cause undesired operation.



Smart Wires Inc 3292 Whipple Rd, Union City, CA 94587 USA
+1 (855) 892-3340

SmartValve™ Connection Diagram

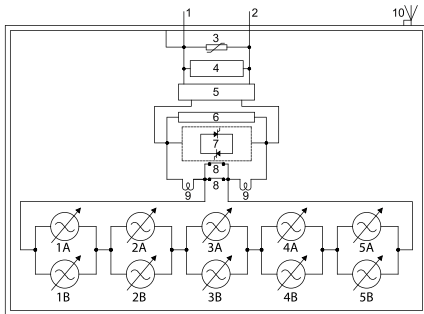


Diagram Key:

1. Input Terminal
 2. Output Terminal
 3. Surge Arrester
 4. High-Pass Filter
 5. Low-Pass Filter
 6. Surge Protection
 7. Silicon-Controlled Rectifier (SCR)
 8. Vacuum-Switch Link (VSL)
 9. Differential-Mode Choke (DMC)
 10. Communication Link
- 1A-5A. Voltage-Source Converter (VSC)
1B-5B. Voltage-Source Converter (VSC)

RATINGS

Max. Continuous Current (Monitoring or Injection Mode): 2750 A RMS [See Note 1]

Max. Emergency Current (Monitoring or Injection Mode): 2900 A RMS (2 hours) [See Note 1]

Max. Reactive Power: 10 MVar @ 3600 A RMS

Max. Injected Voltage: ± 2830 V RMS [See Note 3]

Max. Fault Rating: 63 kA RMS for 1 s, 158 kA peak (50 Hz), 164 kA peak (60 Hz)

NOTES

Note 1: Applies at 45° C ambient, 1050 W/m² solar radiation and 1000 m elevation.

Note 2: Vertical lift only.

Note 3: Device contains DC capacitors that may remain energized after device de-energization.

Note 4: Refer to the O&M Manual for details and a full set of precautions. Precautions listed above are a subset.

Note 5: Liquid cooling system: Material: 50/50 Ethylene glycol / water, volume: 60 liters, contains no PCBs