

SMART WIRES

REIMAGINE THE GRID™

SmartBypass™

Model: 2000-XX

SN: JJJYY-NNN-MCC-FC-X-01

Made in USA Approximate Mass: 2615 lbs(1186 kg)
Mfg. Date: Month, Year Frequency: 60 Hz

FCC ID: QPS01008

This device complies with part 15 of the FCC Rules.
Operation is subject to the following two conditions:

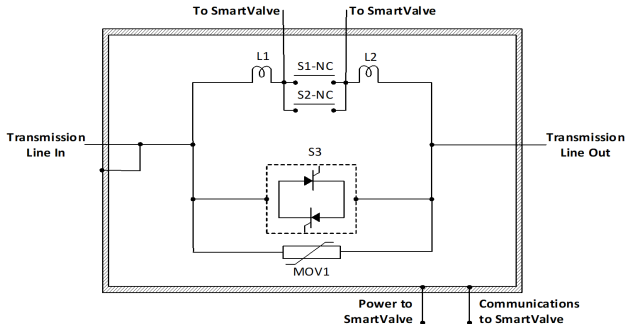
- (1) This device may not cause harmful interference, and
- (2) This device must accept any interference received, including interference that may cause undesired operation.



Patents Pending

SmartBypass™

Connection Diagram:



Max. Continuous Current: 2000 A RMS

Emergency Overload Current 2 hrs: 2200 A RMS

Max. Fault Current: 63 kA RMS



JJJYY-NNN-MCC-FC-X-01

Smart Wires Inc 3292 Whipple Rd, Union City, CA 94587 USA