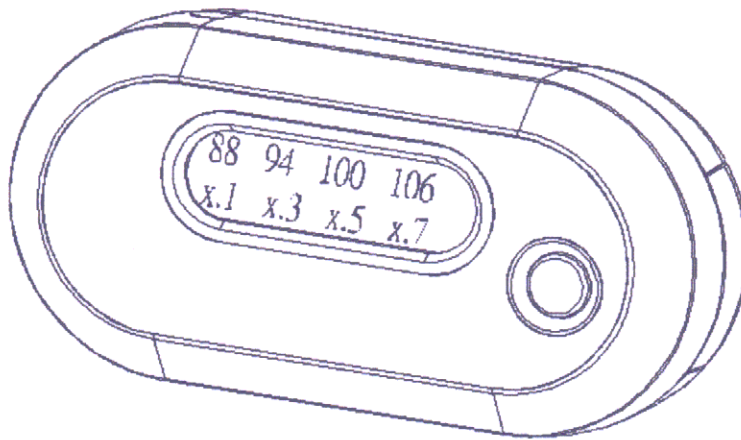




ST-30

§ Universal Digital FM Transmitter §

User's Manual



JTTEL
JOW TONG

Jow Tong Technology Co., Ltd.
46, Lane 337, Chung Cheng Rd., Yung Kang City,
Tainan County 710, Taiwan, R.O.C.
Tel: 886-6-2538888 (REP.7 LINES)
Fax: 886-6-2538999 2544800
E-mail: sales@jow-tong.com.tw
Web SITE: <http://www.jow-tong.com.tw>

● Features:

- USB Input Voltage/ Current: DC +5V / 40mA(Max.)
- Battery Voltage/ Current: DC +3V / 75mA(Max.)
- Battery continuous working time: 10 hours (depends on battery type)
- Battery stand by time: 100 hours (depends on battery type)
- Output RF range: 88.1MHz ~ 106.7MHz. [16 channels]
- Radio Frequency Adjustment: Quick function
- Smart/Auto power saving design, with ON/OFF button.
- Adjustable audio cable for MP3 & CD players.
- Big LED Digital Display Screen with back light lamp.
- Various optional power sources:
 - a. Two AAA alkaline batteries (no charging function)
 - b. Adaptor [Optional item]
 - c. USB Connector for personal computer [Optional item]
 - c. Power-supply Holder for car [Optional item]

● Contents:

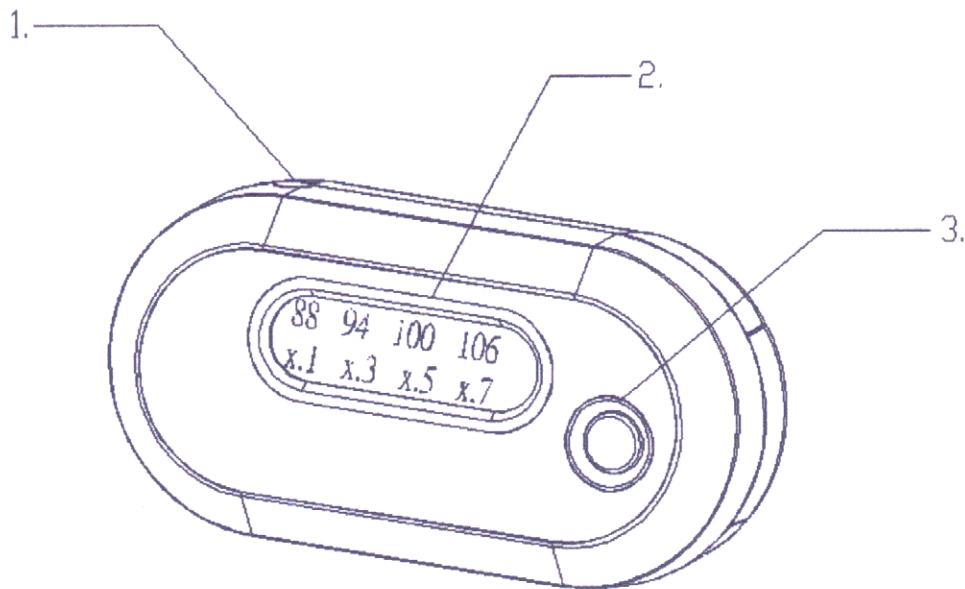


Figure 1.

- 1. Socket for Audio Cable.**
- 2. LED Digital Display**
Show out the Radio Frequency.
- 3. Function Key ○**
To power ON/OFF or to change the radio frequency.

● Installation Instruction:

1. Connect the Digital Transmitter with the adjustable audio cable. See Figure 2.

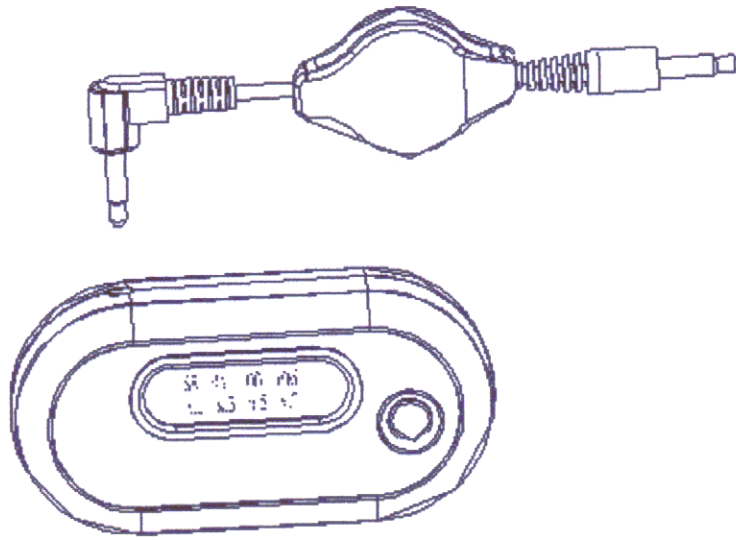
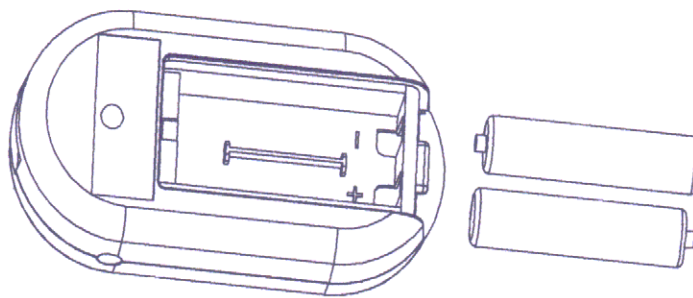


Figure2.

2. Power Supply:

- a. Batteries. See Figure 3.



Feature 3.

b. AC Adaptor. See Figure 4.

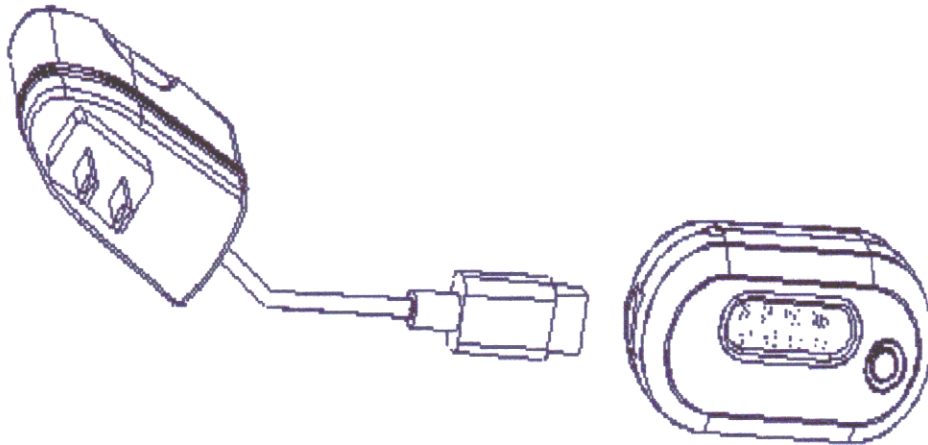


Figure 4.

c. USB Connector for personal computer (Sales separated as optional accessories, not included in the package.) See Figure 5.

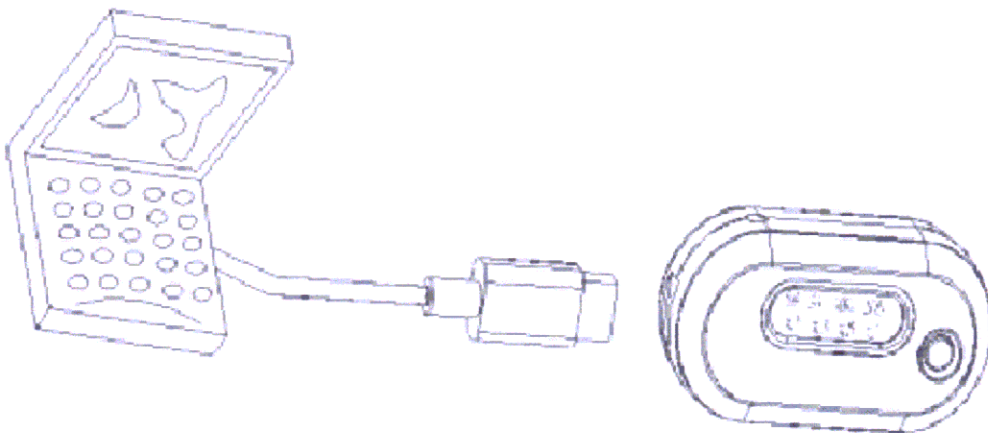


Figure 5.

- d. Power-supply Holder for car [Optional Item].
Suitable for car with 12V ~ 24V. See Figure 6.

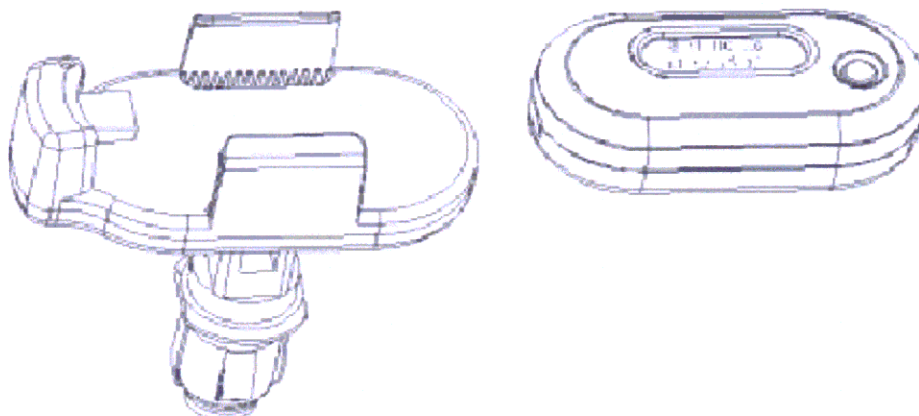


Figure 6.

● Using the Digital Transmitter/ Power ON/OFF

1. Press (**Function Key**) once to turn on the **Digital Transmitter**.
2. Press (**Function Key**) two seconds to turn off the **Digital Transmitter**.
3. When the connected MP3 or CD player being stopped, or the out come audio being terminated more than one minute, the **Digital Transmitter** turned off automatically.

● Adjustment of Radio Frequency Channels:

Press (**Function Key** ○) to increase radio frequency channels faster. The radio channels will be adjusted as 88.1 → 88.3 → 88.5 → 88.7 → 94.1 → 94.3 → 94.5 → 94.7 → 100.1 → 100.3 → 100.5 → 100.7 → 106.1 → 106.3 → 106.5 → 106.7 → 88.1...MHZ .

● Notice of Usage:

- This product should be kept in dry condition and avoid of water.
- Keep the product off direct sunlight or high temperature environment.
- Please unplug the power plug when it's not in use.
- If there are phenomena of defeats, please call your dealer for help.

● Troubleshooting:

If this product doesn't function normal in used,

- Please check whether all wires being connected tight & correct.
- If the product cannot be powered on, check whether the battery power enough or not.
- If the product has no-other damage, check whether the power of your cigarette lighter is working or not. (When car power-supply holder is used.)
- If none of the above phenomena, please call your dealer for help.

FEDERAL COMMUNICATIONS COMMISSION INTERFERENCE STATEMENT

This equipment has been tested and found to comply with the limits for a Class B digital device, pursuant to Part 15 of the FCC Rules. These limits are designed to provide reasonable protection against harmful interference in a residential installation. This equipment generates, uses and can radiate radio frequency energy and, if not installed and used in accordance with the instructions, may cause harmful interference to radio communications. However, there is no guarantee that interference will not occur in a particular installation. If this equipment does cause harmful interference to radio or television reception, which can be determined by turning the equipment off and on, the user is encouraged to try to correct the interference by one or more of the following measures:

- Reorient or relocate the receiving antenna.
- Increase the separation between the equipment and receiver.
- Connect the equipment into an outlet on a circuit different from that to which the receiver is connected.
- Consult the dealer or an experienced radio/TV technician for help.

CAUTION:

To assure continued FCC compliance:

Any changes or modifications not expressly approved by the grantee of this device could void the user's authority to operate the equipment.