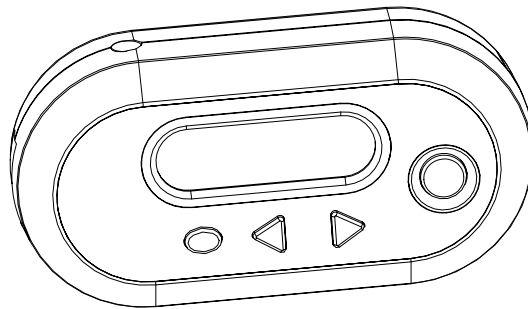


ST-27

§ Universal Digital FM Transmitter §

User's Manual



Features:

- USB Input Voltage/ Current: DC +5V / 40mA(Max.)
- Output RF range: 88.1MHz ~ 107.9MHz
- Radio Frequency Adjustment: 0,1MHz / Per step.
- Smart/Auto power saving design, with ON/OFF button.
- Adjustable audio cable for MP3 & CD players.
- Big LCD Digital Display Screen with back light lamp.
- Various optional power sources:
 - a. Adaptor [Included]
 - b. USB Connector for personal computer [Optional item]
 - c. Power-supply Holder for car [Included]

Contents:

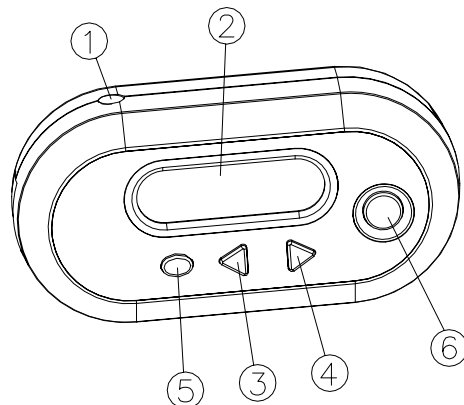


Figure 1.

- 1. Socket for Audio Cable.**
- 2. LCD Digital Display**
Show out the Radio Frequency.
- 3. Upper key**
To increase the radio frequency.
- 4. Lower key**
To reduce the radio frequency.
- 5. Quick key**
To change the radio frequency faster.
- 6. Power key**
Power ON/OFF

Installation Instruction :

1. Connect the Digital Transmitter with the adjustable audio cable. See Figure 2.

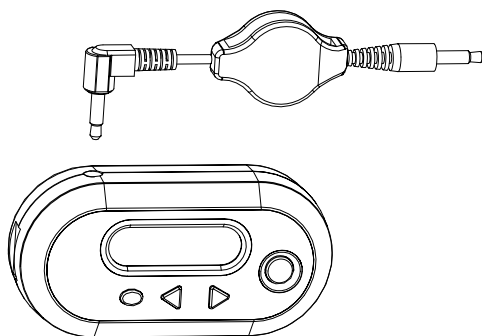


Figure2.

2. Power Supply:

- a. Adaptor [included] See Figure 3.

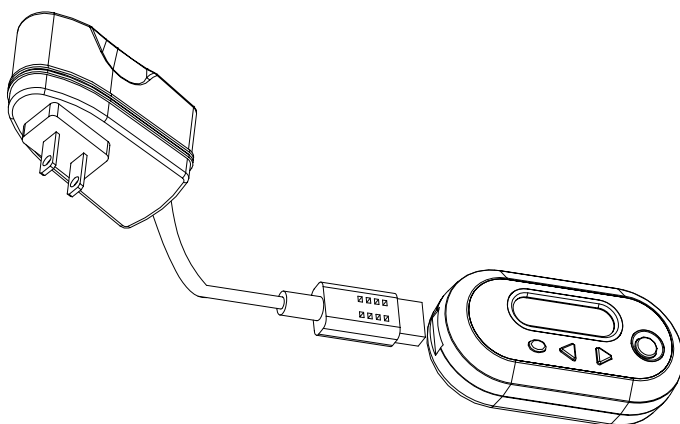


Figure 3.

- b. USB Connector for personal computer (Sales separated as optional accessories, not included in the package.) See Figure 4.

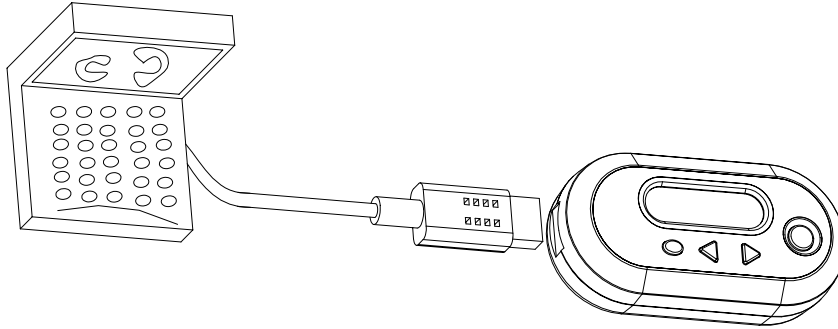


Figure 4.

- c. Power-supply Holder for car. Suitable for car with 12V ~ 24V. See Figure 5.

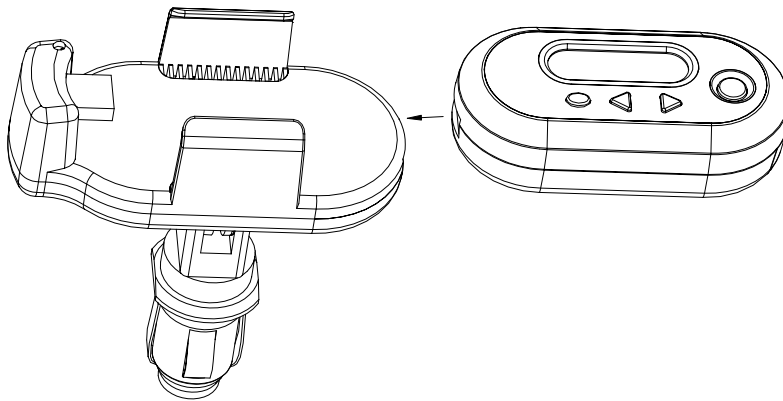


Figure 5.

When outer power supplied, the LCD Digital Display show on the



signal.

◆ Using the Digital Transmitter:

1. Press (Power ON/OFF key) to turn on the **Digital Transmitter**. The "LCD Digital Display" will show out flash **LINK** letters, around 3~5 seconds as Figure 6.

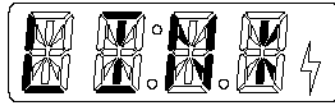


Figure 6.

2. Then "LCD Digital Display" shows out the pre-set radio frequency channel (88.1MHz), as Figure 7. For future usage, the "LCD Digital Display" will show out the last used channel.

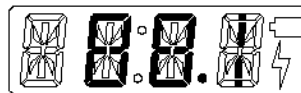


Figure 7.

3. Turn on the radio, turn the volume lower (around 10%~20%), then adjust the radio frequency channel to no-used channel. The radio will output as "zzz" sound.

※Note: The RF channel output marks of the Digital Transmitter is 0.1MHz. When setup the radio frequency channels, do not setup the channels as 88,01MHz, 89,25MHz ... 99,55MHz etc. Please do set up as 88,1MHz, 89,2MHz, 99,5MHz ...etc.

4. Then adjust the radio frequency channel of the **Digital Transmitter** to the same radio frequency channel of the radio. For the detailed radio frequency channel adjustment method please refer to Adjustment Illustrations of Radio Frequency Channels.
 - When the radio frequency channel of the **Digital Transmitter** is fixed to the same as the radio frequency channel of the radio, the "zzz" sound of the radio will become mute.
 - If the radio does not become mute, re-check and make sure the radio frequency channel of the **Digital Transmitter** and the radio is the same.)
5. Then display the music of MP3 or CD player through the radio.
7. Adjust the volume through your radio until the satisfactory output is reached.

Adjustment of Radio Frequency Channels:

1. Adjust the radio frequency channels: Radio frequency channels adjustment range is 88.1MHz ~ 107.9MHz. [76MHz ~ 90MHz for Japanese Version]

- Press (**Upper key**) / (**Lower key**) , to increase/decrease 0,1MHz radio frequency channels of the **Digital Transmitter** .
- Press (**Upper key**) / (**Lower key**) longer, to increase/decrease radio frequency channels before release the button.
- Press (**Quick key**) to increase/decrease radio frequency channels faster. The radio channels will be adjusted as 88.1 94.0 100.0 106.0 88.1 MHz .
-

Power ON/OFF

- Press (**Power ON/OFF key**) to more than one second to turn off the **Digital transmitter** .

Notice of Usage:

- This product should be kept in dry condition and avoid of water.
- Keep the product off direct sunlight or high temperature environment.
- Please unplug the power plug when it's not in use.
- If there are phenomena of defeats, please call your dealer for help.

Troubleshooting:

If this product doesn't function normal in used,

- Please check whether all wires being connected tight & correct.
- If the product cannot be powered on, check whether the power-supply linked well.
- If the product has no-other damage, check whether the power of your cigarette lighter is working or not. (When car power-supply holder is used.)
- If none of the above phenomena, please call your dealer for help.

FEDERAL COMMUNICATIONS COMMISSION INTERFERENCE STATEMENT

This equipment has been tested and found to comply with the limits for a Class B digital device, pursuant to Part 15 of the FCC Rules. These limits are designed to provide reasonable protection against harmful interference in a residential installation. This equipment generates, uses and can radiate radio frequency energy and, if not installed and used in accordance with the instructions, may cause harmful interference to radio communications. However, there is no guarantee that interference will not occur in a particular installation. If this equipment does cause harmful interference to radio or television reception, which can be determined by turning the equipment off and on, the user is encouraged to try to correct the interference by one or more of the following measures:

- Reorient or relocate the receiving antenna.
- Increase the separation between the equipment and receiver.
- Connect the equipment into an outlet on a circuit different from that to which the receiver is connected.
- Consult the dealer or an experienced radio/TV technician for help.

CAUTION:

To assure continued FCC compliance:

Any changes or modifications not expressly approved by the grantee of this device could void the user's authority to operate the equipment.