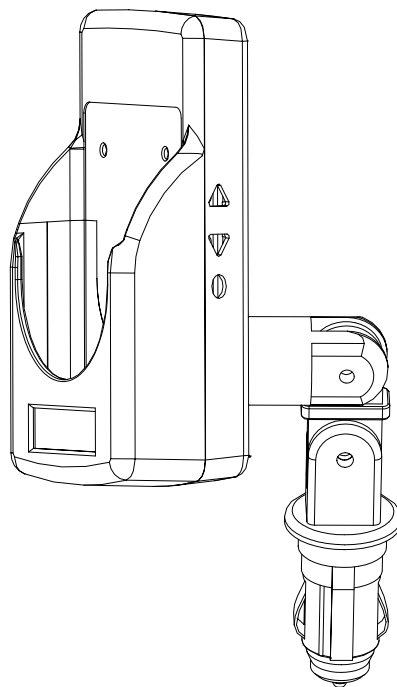


ST-26

§ Digital Transmitter§

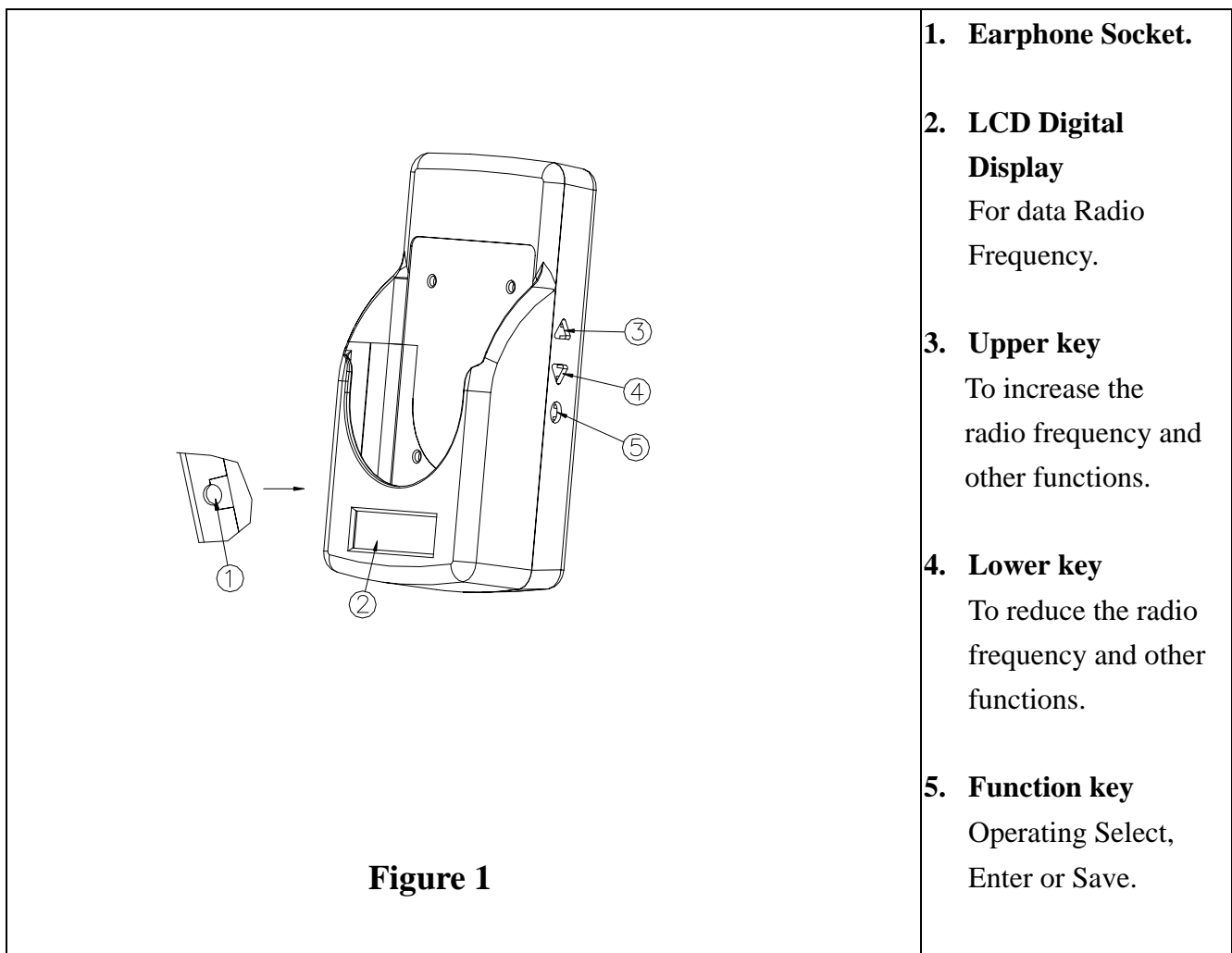
User's Manual



Features:

- Input Voltage: DC+10V ~ +16V.
- Current : 2A (Max.) .
- Output RF range: 88.1MHz ~ 107.9MHz.
- Radio Frequency Adjustment: 0,1MHz / Per step.
- Radio Frequency Response: 50Hz ~ 15KHz.
- 3.5m/m Earphone socket for audio output or the cassette adapter.
- LCD "Digital Display".
- iPod Charging Function, charging Indicator included.
- Build in Memory Mode, user can setup or recall 10 radio frequency channels.
- Compatible with iPod 2,0 10G, 15G, 30G, 40G by attached Pads.
- Extension Power Plug available for mobile with cigarette lighter in lower position.

Contents:



Power Plug Installation Instruction & Notes:

1. Insert power plug³ into Transmitter¹ and twist gently clockwise to “on” (on the back of Transmitter.) As Figure 2.

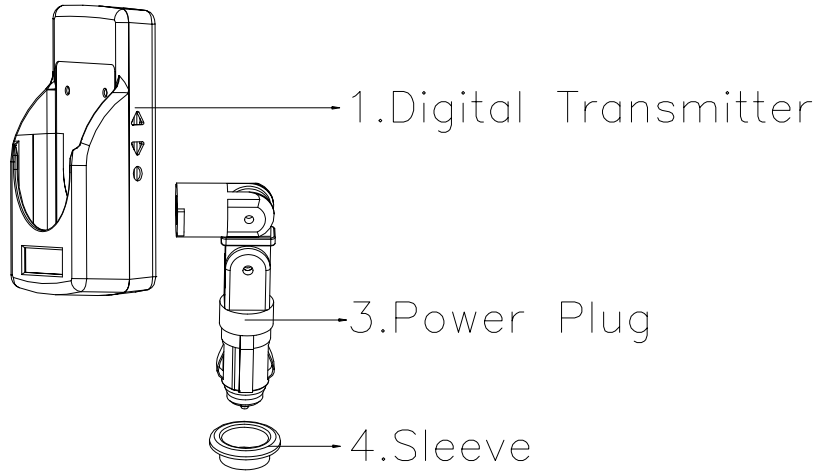


Figure 2.

If the car’s cigarette lighter or the set of Transmitter is too low or too close to the gear shifter, use extension stick². Insert the extension stick² into Transmitter¹ by twisting gently clockwise to “on” (on the back of Transmitter.) Connect the power plug³ with the extension stick². As Figure 3.

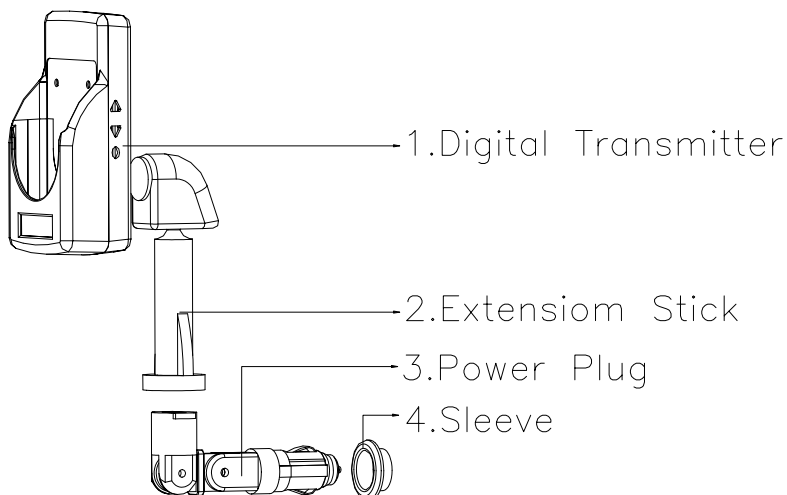

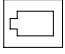


Figure 3.

2. Insert the power plug³ into the vehicle cigarette lighter adapter outlet (12V). The "LCD Digital Display" will show out letters **PASS** as power connects correct.
3. Install the new iPod into the Transmitter¹. The "LCD Digital Display" will show out flash charging signal  . When iPod battery is full, "LCD Digital Display" will show out battery signal  .

Note: Power Plug³ and extension stick² can be adjusted up and down to the required angle and then screw in tightly.

Note: The cigarette lighter sleeve⁴ can be adapted on the power plug ³, when your cigarette lighter is too big. Refer to Figure 2 or Figure 3.

Note: Attached Protection Pads can be used to compatible with iPod 2,0 10G, 15G, 30G, 40G. As Figure 4.

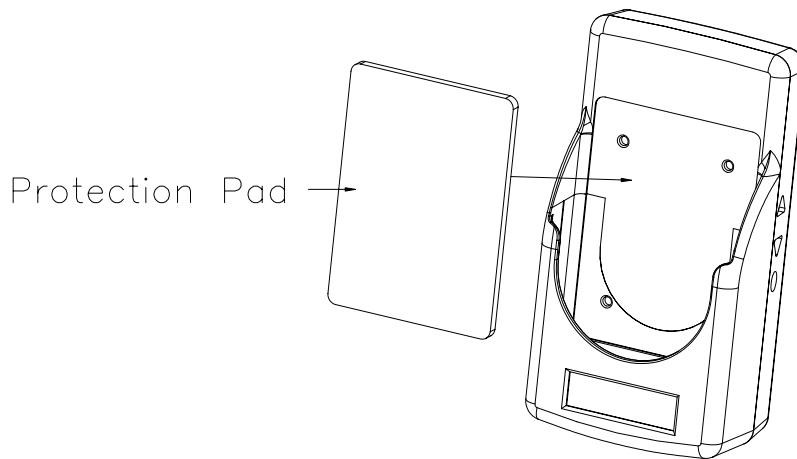


Figure 4.

Note: The Earphone socket (3.5) on the left side of the Transmitter, can be connected with cassette adapter (optional product, not included in the package). As Figure 5.

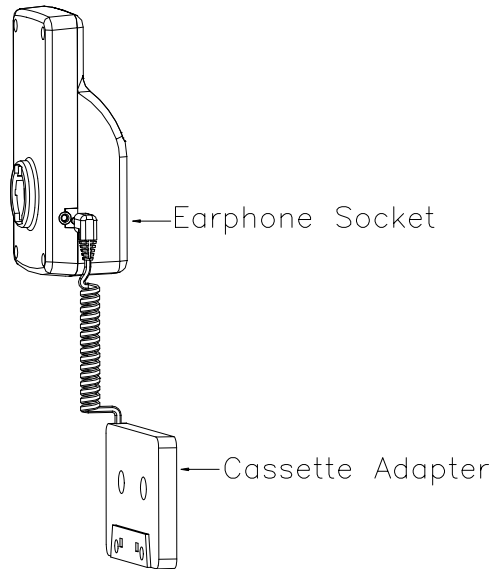


Figure 5.

Desktop Kit Installation Instruction (optional):

If you have purchased the Desktop Kit for iPod Digital Transmitter (sales separated as optional accessories, not included in the package), See Figure 6.

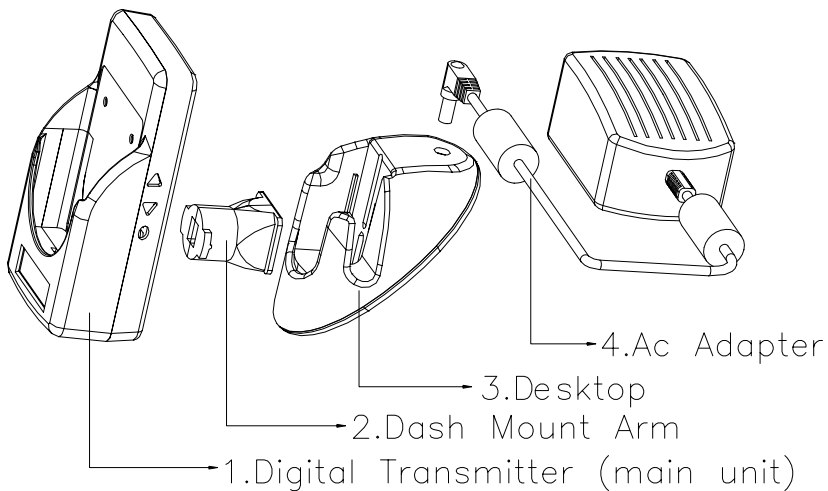


Figure 6.

◆ Using the Digital Transmitter (first time usage):

1. Connect the power plug to the **Digital Transmitter**, the "LCD Digital Display" will show out flash **PASS** letters, around 3~5 seconds as Figure 7.

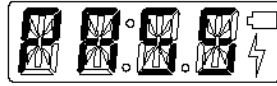

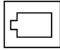


Figure 7.

2. Then "LCD Digital Display" shows out the pre-set radio frequency channel (88.1MHz), as Figure 8. (For future usage, the "LCD Digital Display" will show out the last used radio frequency channel when the **Digital Transmitter** is powered on.)



Figure 8.

3. Install the new iPod into the Transmitter. The "LCD Digital Display" will show out flash charging signal  . When iPod battery is full, "LCD Digital Display" will show out battery signal  .

4. Turn on the radio, reduce the volume lower (around 10%~20%), then adjust the radio frequency channel to no-used channel. The radio will output as "zzz" sound.

※Note: The RF channel output marks of the Digital Transmitter is 0.1MHz. When setup the radio frequency channels, do not setup the channels as 88,01MHz, 89,25MHz ... 99,55MHz etc. Please do set up as 88,1MHz, 89,2MHz, 99,5MHz ...etc.

5. Then adjust the radio frequency channel of the **Digital Transmitter** to the same radio frequency channel of the radio. For the detailed radio frequency channel adjustment method please refer to Adjustment Illustrations of Radio Frequency Channels.
 - When the radio frequency channel of the **Digital Transmitter** is fixed to the same as the radio frequency channel of the radio, the "zzz" sound of the radio will become mute.
 - If the radio does not become mute, re-check and make sure the radio frequency channel of the **Digital Transmitter** and the radio is the same.)

6. Then display the iPod music through the radio.
7. Adjust the volume through your radio until the satisfactory output is reached.
8. Set up the radio frequency channels once. The **Digital Transmitter** can memorized or recall the radio frequency channels being saved.
9. The **Digital Transmitter** can memorize 10 radio frequency channels. For the detailed radio frequency channel setting methods, please refer to Operating Illustration.

Adjustment Illustrations of Radio Frequency Channels:

- Press (**Upper key**) / (**Lower key**), to increase/decrease 0,1MHz radio frequency channels of the **Digital Transmitter**.
- Press (**Upper key**) / (**Lower key**) more than 1 seconds, to increase/decrease 0,2MHz radio frequency channels of the **Digital Transmitter**.
- Press (**Upper key**) / (**Lower key**) more than 5 seconds, to increase/decrease 0,5MHz radio frequency channels of the **Digital Transmitter**.

Press (**Function Key**) to crease/decrease radio frequency channels faster. The radio channels will be adjusted as 88.1 94.0 100.0 106.0 88.1 MHZ .

Note: When the **Digital Transmitter** powered on again, it will enter to the fixed radio frequency channels as last setting.

Notice of Usage:

- This product should be kept in dry condition. Avoid of water.
- Keep the product off direct sunlight or high temperature environment.
- Please unplug the power plug when not it's not in use.
- If there phenomena of defeats, please call your dealer for help.

Troubleshooting:

If this product doesn't function normal in used,

- Please check whether the fuse of the power plug³ is broken. If so, please change a new one.
- If the product has no-other damage, check whether the power of your cigarette lighter is working or not.
- If none of the above phenomena, please call your dealer for help.

FEDERAL COMMUNICATIONS COMMISSION INTERFERENCE STATEMENT

This equipment has been tested and found to comply with the limits for a Class B digital device, pursuant to Part 15 of the FCC Rules. These limits are designed to provide reasonable protection against harmful interference in a residential installation. This equipment generates, uses and can radiate radio frequency energy and, if not installed and used in accordance with the instructions, may cause harmful interference to radio communications. However, there is no guarantee that interference will not occur in a particular installation. If this equipment does cause harmful interference to radio or television reception, which can be determined by turning the equipment off and on, the user is encouraged to try to correct the interference by one or more of the following measures:

- Reorient or relocate the receiving antenna.
- Increase the separation between the equipment and receiver.
- Connect the equipment into an outlet on a circuit different from that to which the receiver is connected.
- Consult the dealer or an experienced radio/TV technician for help.

CAUTION:

To assure continued FCC compliance:

Any changes or modifications not expressly approved by the grantee of this device could void the user's authority to operate the equipment.