



TEST REPORT

REPORT NUMBER: I23W00045-EMC

ON

Type of Equipment: 4G Smart Phone
Type of Designation: MobiWire H6322, Altice S35
Brand Name: MobiWire, Altice
Manufacturer: MobiWire SAS
FCC ID: QPN-H6322

ACCORDING TO

Subpart B, PART 15, RADIO FREQUENCY DEVICES, ANSI C63.4-2014

Chongqing Academy of Information and Communications Technology

Month date, year
September 20, 2023

Signature

Xiang Luoyong
Director

Note:

The test results in this test report relate only to the devices specified in this report. This report shall not be reproduced except in full without the written approval of Chongqing Academy of Information and Communications Technology.



Report No.: I23W00045-EMC

Revision Version

Report Number	Revision	Date
I23W00045-EMC	00	2023-9-20

Chongqing Academy of Information and Communication Technology

Address: No. 8, Yuma Road, Chayuan New City, Nan'an District, Chongqing, P. R. China, 401336
Tel: 0086-23-88069965 FAX: 0086-23-88608777



CONTENTS

1.	Test Laboratory	4
1.1.	Testing Location	4
1.2.	Testing Environment	4
1.3.	Project data	4
1.4.	Signature	4
2.	Client Information	5
2.1.	Applicant Information	5
2.2.	Manufacturer Information	5
3.	Equipment under Test (EUT) and Ancillary Equipment (AE)	6
3.1.	About EUT	6
3.2.	Internal Identification of EUT used during the test	6
3.3.	Internal Identification of AE used during the test	6
4.	Reference Documents	8
4.1.	Reference Documents for testing	8
5.	Test Equipment Utilized	9
6.	Test Results	10
6.1.	Summary of Test Results	10
7.	Test Results	11
7.1.	Radiated Emission	11
7.2.	Conducted Emission	20
	Annex A EUT Photos	23
	ANNEX B Deviations from Prescribed Test Methods	24

Chongqing Academy of Information and Communication Technology

Address: No. 8, Yuma Road, Chayuan New City, Nan'an District, Chongqing, P. R. China, 401336
Tel: 0086-23-88069965 FAX: 0086-23-88608777

1. Test Laboratory

1.1. Testing Location

Name:	Chongqing Academy of Information and Communications Technology
FCC Registration Number:	CN1239
Address:	Building C, Technology Innovation Center, No.8, Yuma Road, Chayuan New Area, Nan'an District, Chongqing, People's Republic of China
Postal Code:	401336
Telephone:	0086-23-88069965
Fax:	0086-23-88608777

1.2. Testing Environment

Normal Temperature:	15-35°C
Relative Humidity:	25-75%RH

1.3. Project data

Testing Start Date:	2023-08-18
Testing End Date:	2023-08-25

1.4. Signature



2023-09-20

Tan Haoyue
(Prepared this test report)

Date

2023-09-20

Xiao Yu
(Reviewed this test report)

Date

2023-09-20

Xiang Luoyong Director of the
laboratory (Approved this test report)

Date

Chongqing Academy of Information and Communication Technology

Address: No. 8, Yuma Road, Chayuan New City, Nan'an District, Chongqing, P. R. China, 401336
Tel: 0086-23-88069965 FAX: 0086-23-88608777

2. Client Information

2.1. Applicant Information

Company Name:	MobiWire SAS
Address /Post:	107 Boulevard de la Mission Marchand 92400 Courbevoie,France
City:	Courbevoie
Country:	France
Telephone:	+33625028368
Fax:	N/A
Email:	olivier.tiennault@mobiwire.com
Contact Person:	Olivier Tiennault

2.2. Manufacturer Information

Company Name:	MobiWire SAS
Address /Post:	107 Boulevard de la Mission Marchand 92400 Courbevoie,France
City:	Courbevoie
Country:	France
Telephone:	+33625028368
Fax:	N/A
Email:	olivier.tiennault@mobiwire.com
Contact Person:	Olivier Tiennault

Chongqing Academy of Information and Communication Technology

Address: No. 8,Yuma Road, Chayuan New City, Nan'an District, Chongqing, P. R. China,401336
Tel: 0086-23-88069965 FAX:0086-23-88608777

3. Equipment under Test (EUT) and Ancillary Equipment (AE)

3.1. About EUT

EUT Description	4G Smart Phone
Model name	MobiWire H6322, Altice S35
Brand name	MobiWire, Altice
GSM Frequency Band	900/1800/850/1900
WCDMA Frequency Band	I/II/V/VIII
LTE Frequency Band	1/2/3/4/5/7/8/20/28/38/41
2.4G Wi-Fi mode	802.11b/g/n
5G Wi-Fi mode	802.11a/n/ac
Bluetooth	BT5.0
GNSS	GPS/GLONASS/BDS/Galileo
FM	FM Rx

Note: Photographs of EUT are shown in ANNEX B of this test report.

3.2. Internal Identification of EUT used during the test

EUT ID*	SN or IMEI	HW Version	SW Version	Date of receipt
S1 (Main supply)	354365420300385/ 354365420300393	V01	Mobiwire_H63 22_V01	2023-08-18
S2 (Secondary supply)	354365420300641/ 354365420300658	V01	Mobiwire_H63 22_V01	2023-08-18

*EUT ID: is used to identify the test sample in the lab internally.

3.3. Internal Identification of AE used during the test

AE ID*	Description	INFORMATION
CB06	Adapter	A18A-050100U-US2
UA03	USB Cable	FKY-23-026
BA11	Battery	SA-LI-040385A-N01
AA05	Earphone	JWEP1199-M01H
AE1	Notebook PC	DELL Latitude E6510
AE2	Desktop PC	OptiPlex 790 DT
AE3	LAN Cable	N/A

Chongqing Academy of Information and Communication Technology

Address: No. 8, Yuma Road, Chayuan New City, Nan'an District, Chongqing, P. R. China, 401336
Tel: 0086-23-88069965 FAX: 0086-23-88608777



AE4	VGA Cable	N/A
AE5	RS232 Cable	N/A
AE6	Keyboard	KB212-B
AE7	Mouse	MS111-P
AE8	Monitor	Dell E1709Wc
AE9	Micro SD card	Kingston SDC4/4GB 77

*AE ID: is used to identify the test sample in the lab internally.

NOTE: AE is provided by the laboratory.

4. Reference Documents

4.1. Reference Documents for testing

The following documents listed in this section are referred for testing.

Reference	Title	Version
FCC CFR Part 15, Subpart B	RADIO FREQUENCY DEVICES	October 01, 2021
ANSI C63.4	METHOD OF MEASUREMENT OF RADIO-NOISE EMISSIONS FROM LOW-VOLTAGE ELECTRICAL AND ELECTRONIC EQUIPMENT IN THE RANGE OF 9 KHZ TO 40 GHZ	2014

5. Test Equipment Utilized

No.	Equipment	Model	SN	HW Version	SW Version	Manufacture	Cal. Interval	Cal.Due Date
1	Universal Radio Communication Tester	CMW500	102105	--	--	R&S	1 Year	2024-06-28
2	Test Receiver	ESR 3	101382	03	3.48 SP2	R&S	1 Year	2024-01-28
3	Test Receiver	ESW 26	101382	00	1.50 SP1	R&S	1 Year	2024-06-28
4	Ultra-wideband Log Periodic Antenna	VULB9163	9163-586	--	--	Schwarzbeck	2Year	2024-10-28
5	Double Ridged Guide Antenna	9120D	1083	--	--	R&S	2 Year	2024-12-14
6	2-Line V-Network	ENV216	102368	--	--	R&S	1 Year	2024-05-27
7	Test Receiver	ESU 40	100350	01	4.43 SP3	R&S	1 Year	2024-06-28
8	Vector signal generator	SMB100A	105319	--	--	R&S	1 Year	2024-06-28
9	GNSS Simulator	GSS7000	0077	--	--	Spirent	1 Year	2024-06-28

Test software

No.	Name	version	SN	Manufacture
1	EMC32 (RE Below 1GHz)	V9.26.01	--	R&S
2	EMC32 (RE Above 1GHz)	V 10.20.01	--	R&S
3	EMC32 (CE)	V 10.40.10	--	R&S

Chongqing Academy of Information and Communication Technology

Address: No. 8, Yuma Road, Chayuan New City, Nan'an District, Chongqing, P. R. China, 401336
 Tel: 0086-23-88069965 FAX: 0086-23-88608777

6. Test Results

6.1. Summary of Test Results

FCC Rules	Name of Test	Result
15.109	Radiated Emission	Pass
15.107	AC Conducted Emission	Pass

Note:

N/A means not applicable.

The MobiWire H6322, Altice S35, manufactured by MobiWire SAS is a variant product for testing.

This project is a variant project based on the original report I23W00020. According to the product change description, we tested the related 2G/3G/4G mode and worst mode of Radiated Emission & AC Conducted Emission in the original report.

This project has two configurations S1 (Mainly Supply) & S2 (Secondary Supply), the difference is memory, G-sensor and P/L sensor. We mainly test the S1 (Mainly Supply), and the S2 (Secondary Supply) tests the worst mode of the Radiated Emission of the S1 (Mainly Supply), and the test data of the worst mode will be reflected in the report.

The differences between S1 (Mainly Supply) & S2 (Secondary Supply) are shown in the table below:

Difference	Config 1: S1 (Mainly Supply)	Config 2: S2 (Secondary Supply)
CPU	MT8766V	MT6761V
Memory- ROM	HSEMSDS6S2B32G	KSI EMMC32G-PJ30
Memory- RAM	CXDB4ABAM-MK	micron FLXC2002G-N2
G-sensor	slan SC7A20ETR	sensortek STK8BA58
P-sensor	MN78912	Liteon LTR-569ALS-02

Chongqing Academy of Information and Communication Technology

Address: No. 8, Yuma Road, Chayuan New City, Nan'an District, Chongqing, P. R. China, 401336
Tel: 0086-23-88069965 FAX: 0086-23-88608777

7. Test Results

7.1. Radiated Emission

S1 (Main supply)

Specifications:	15.109
Date of Tests	2023-08-21~2023-08-22
Test conditions:	Ambient Temperature:22.1-23.1°C Relative Humidity:51.2-52.1% Air pressure: 100.5kPa
Operation Mode	30MHz-18GHz frequency range: Mode 1: Data Link mode+ UA03 Mode 2: GSM850 receiver mode + CB06+ UA03+ AA05 Mode 3: LTE2 receiver mode+ Front Camera+ CB06+ UA03+ AA05 Mode 4: LTE4 receiver mode+ Back Camera+ CB06+ UA03+ AA05 Mode 5: FM mode+ CB06+ UA03+ AA05 Mode 6: GNSS (GPS/GLONASS/BDS/Galileo) mode+ CB06+ UA03+ AA05
Test Results:	Pass
Note:	<ol style="list-style-type: none"> The worst case of radiated emission for 30MHz-1GHz is Mode 1 and for 1GHz -18GHz is Mode 1. All test modes are performed, only the worst cases test data are recorded in this report. After laboratory verification, GSM850 & LTE 2& LTE4 is the worst mode among all receiving modes of 2G/3G/4G and is recorded in the report.

S2 (Secondary supply)

Specifications:	15.109
Date of Tests	2023-08-21~2023-08-22
Test conditions:	Ambient Temperature:22.1-23.1°C Relative Humidity:51.2-52.1% Air pressure: 100.5kPa
Operation Mode	30MHz-18GHz frequency range: Mode 1: Data Link mode+ UA03+ S2
Test Results:	Pass

Limit Level Construction (Except for Class A digital devices):

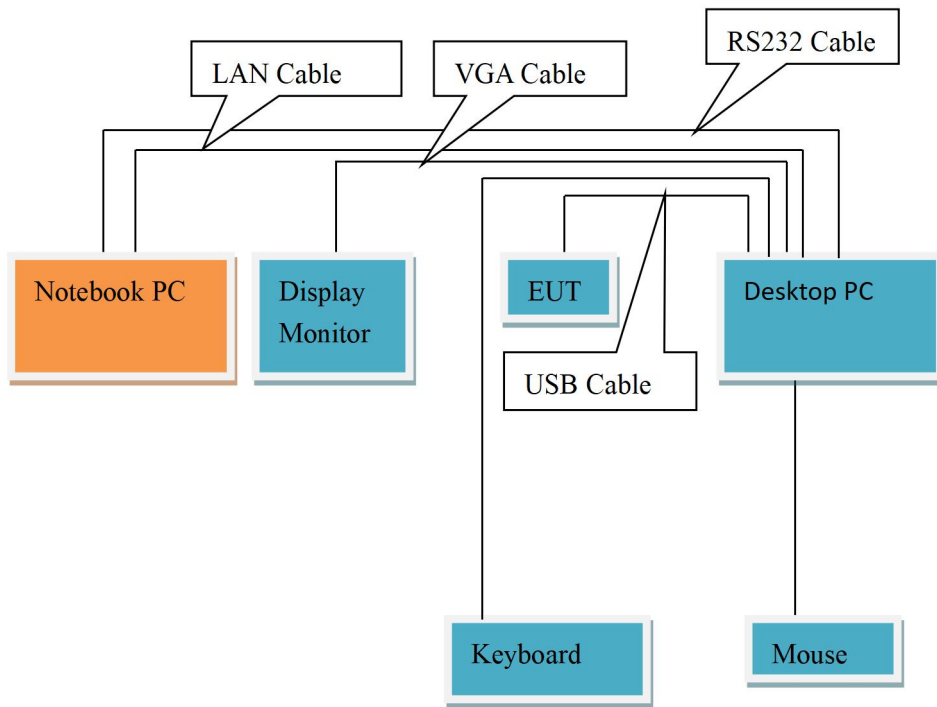
Frequency Range (MHz)	Quasi-Peak (dBuV/m)
30-88	40
88-216	43.5
216-960	46
Above 960	54

Frequency Range (MHz)	Peak (dBuV/m)	Average (dBuV/m)
Above 960	74	54

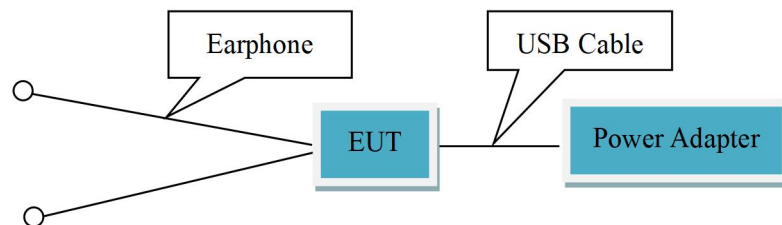
Chongqing Academy of Information and Communication Technology

Address: No. 8,Yuma Road, Chayuan New City, Nan'an District, Chongqing, P. R. China,401336
Tel: 0086-23-88069965 FAX:0086-23-88608777

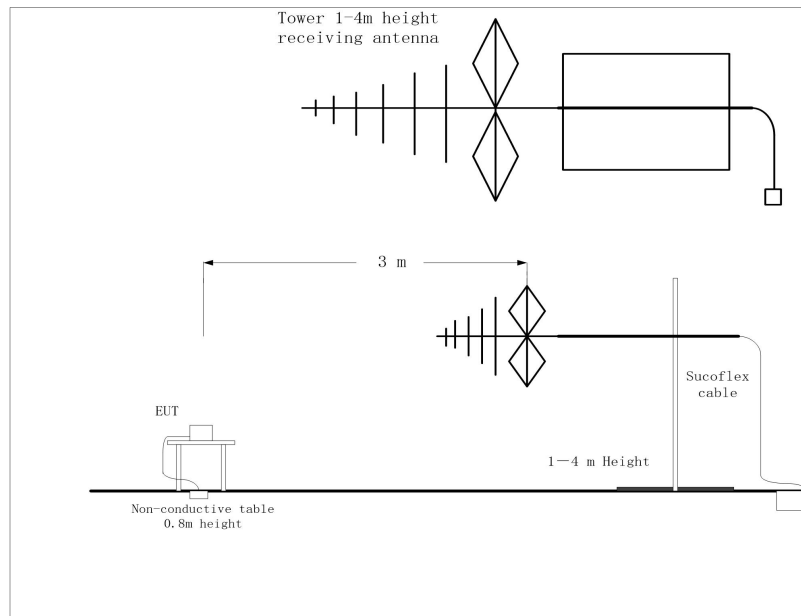
EUT Setup:



Mode 1



Mode 2~6



Test Method:

For 30-1000MHz, the EUT was placed on the top of a rotating 0.8-m table above the ground at a semi-anechoic chamber. The distance between the EUT and the received antenna was 3 meters. The table was rotated 360 degree and the received antenna mounted on a variable-height antenna tower was varied from 1m to 4m to find the maximum value of the field strength. Both horizontal and vertical polarizations of the antenna were set during the measurement. Tested in accordance with the procedures of ANSI C63.4-2014, section 8.3.

For 1000-18000MHz, the maximal emission value was acquired by adjusting the antenna height, and the table was rotated 360 degrees to determine the maximum value of the field strength.

Uncertainty Measurement:

The measurement uncertainty (30MHz-150MHz) is 3.79 dB (k=2).

The measurement uncertainty (150MHz-1000MHz) is 3.51dB (k=2).

The measurement uncertainty (1000MHz-6000MHz) is 4.84 dB (k=2).

The measurement uncertainty (6000MHz-18000MHz) is 4.54 dB (k=2).

Test Result:

A “reference path loss” is established and Corr is the attenuation of “reference path loss”, and including the gain of receive antenna, the gain of the preamplifier, the cable loss.

The measurement results are obtained as described below:

$$\text{Corr (dB/m)} = \text{Cable loss (dB)} + \text{Antenna Factor (dB/m)} - \text{Preamplifier gain (dB)}$$

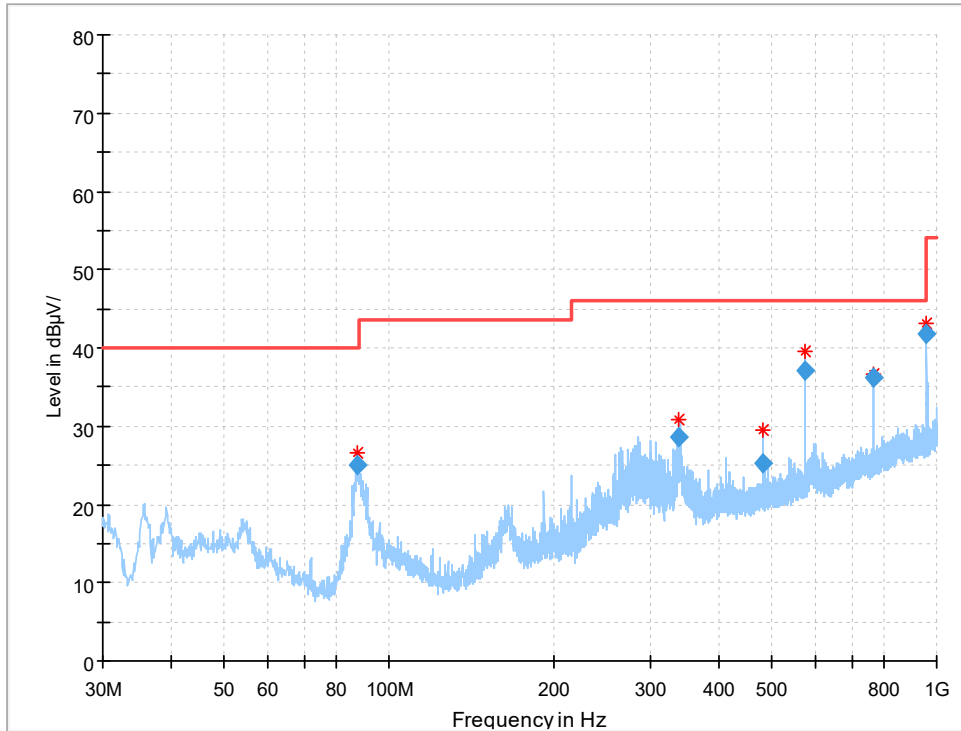
$$\text{Result (dB}\mu\text{V/m)} = \text{PMea (dB}\mu\text{V)} + \text{Corr (dB/m)}$$

Sweep the whole frequency band through the range from 30MHz to the 5th harmonic of the carrier, the Emissions in the frequency band 18GHz-40GHz is more than 20dB below the limit are not report.

Chongqing Academy of Information and Communication Technology

Address: No. 8,Yuma Road, Chayuan New City, Nan'an District, Chongqing, P. R. China,401336
Tel: 0086-23-88069965 FAX:0086-23-88608777

Test Data



RE 30MHz-1GHz Mode 1 _Main supply_S1

Final_Result

Frequency (MHz)	QuasiPeak (dBµV/m)	Limit (dBµV/m)	Margin (dB)	Height (cm)	Pol	Azimuth (deg)	Corr. (dB/m)
87.359640	25.11	40.00	14.89	200.0	H	358.0	-16.2
338.999520	28.59	46.00	17.41	100.0	H	116.0	-8.5
479.989600	25.22	46.00	20.78	200.0	H	345.0	-5.3
576.033640	37.10	46.00	8.90	100.0	V	105.0	-3.6
768.015360	36.23	46.00	9.77	100.0	V	209.0	0.0
960.004440	41.73	54.00	12.27	100.0	H	248.0	2.3

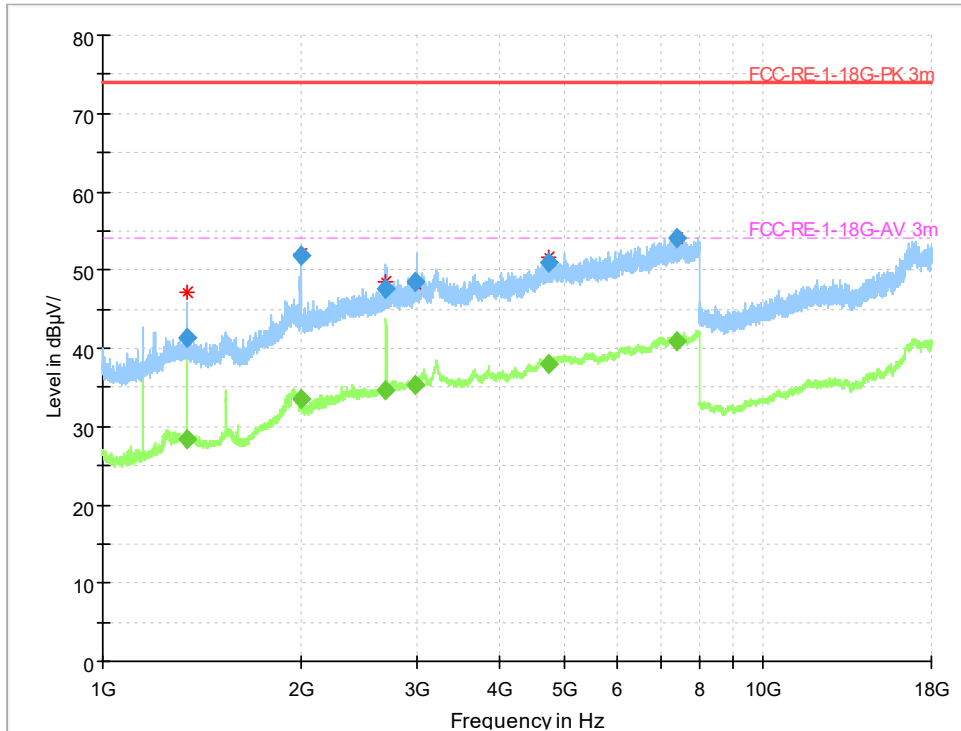
Corr.(dB)=Cable loss -Antenna Factor

Test result=Test receiver value-Corr.(dB)

Horizontal and vertical polarity is all have been tested, the result of them is synthesized in the above data diagram.

Chongqing Academy of Information and Communication Technology

Address: No. 8,Yuma Road, Chayuan New City, Nan'an District, Chongqing, P. R. China,401336
Tel: 0086-23-88069965 FAX:0086-23-88608777



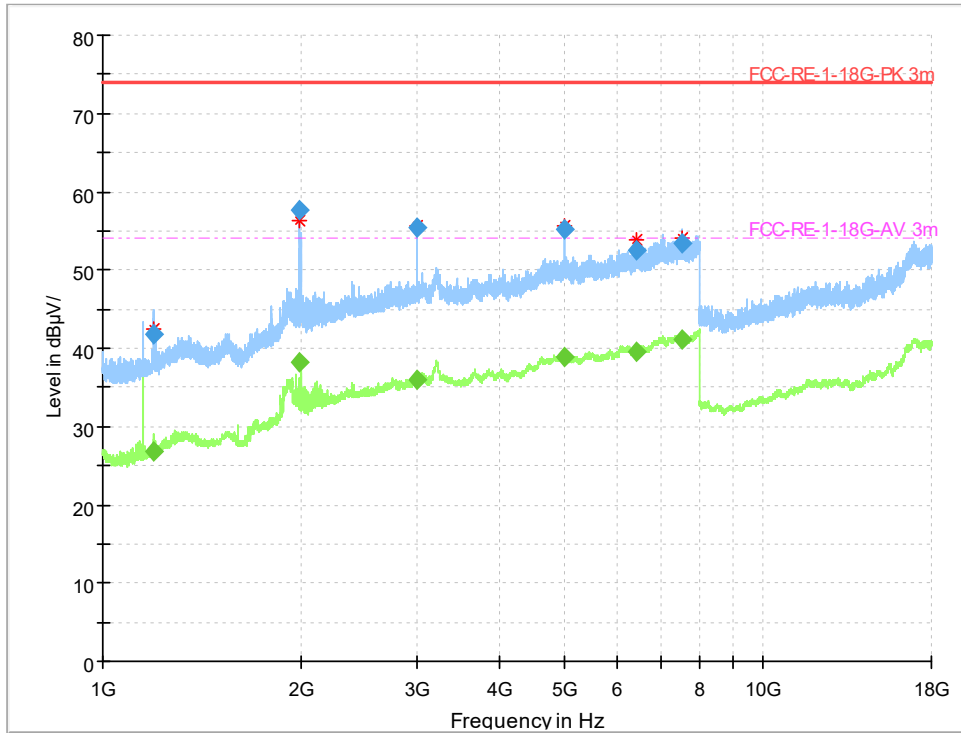
RE 1GHz-18GHz Mode 1-H_Main supply_S1

Final Result 1

Frequency (MHz)	MaxPeak (dBµV/m)	Average (dBµV/m)	Limit (dBµV/m)	Margin (dB)	Meas. Time (ms)	Bandwidth (kHz)	Height (cm)	Pol	Azimuth (deg)	Corr. (dB/m)
1343.767500	---	28.35	54.00	25.65	500.0	1000.000	210.0	H	0.0	2.7
1343.767500	41.45	---	74.00	32.55	500.0	1000.000	210.0	H	0.0	2.7
1998.165000	---	33.42	54.00	20.58	500.0	1000.000	100.0	H	111.0	6.4
1998.165000	51.90	---	74.00	22.10	500.0	1000.000	100.0	H	111.0	6.4
2683.813750	47.70	---	74.00	26.30	500.0	1000.000	215.0	H	115.0	9.9
2683.813750	---	34.57	54.00	19.43	500.0	1000.000	215.0	H	115.0	9.9
2982.885000	48.48	---	74.00	25.52	500.0	1000.000	215.0	H	142.0	11.2
2982.885000	---	35.20	54.00	18.80	500.0	1000.000	215.0	H	142.0	11.2
4739.575000	---	37.95	54.00	16.05	500.0	1000.000	188.0	H	228.0	15.3
4739.575000	51.05	---	74.00	22.95	500.0	1000.000	188.0	H	228.0	15.3
7414.166250	---	40.82	54.00	13.18	500.0	1000.000	187.0	H	171.0	20.2
7414.166250	54.16	---	74.00	19.84	500.0	1000.000	187.0	H	171.0	20.2

Chongqing Academy of Information and Communication Technology

Address: No. 8,Yuma Road, Chayuan New City, Nan'an District, Chongqing, P. R. China,401336
 Tel: 0086-23-88069965 FAX:0086-23-88608777



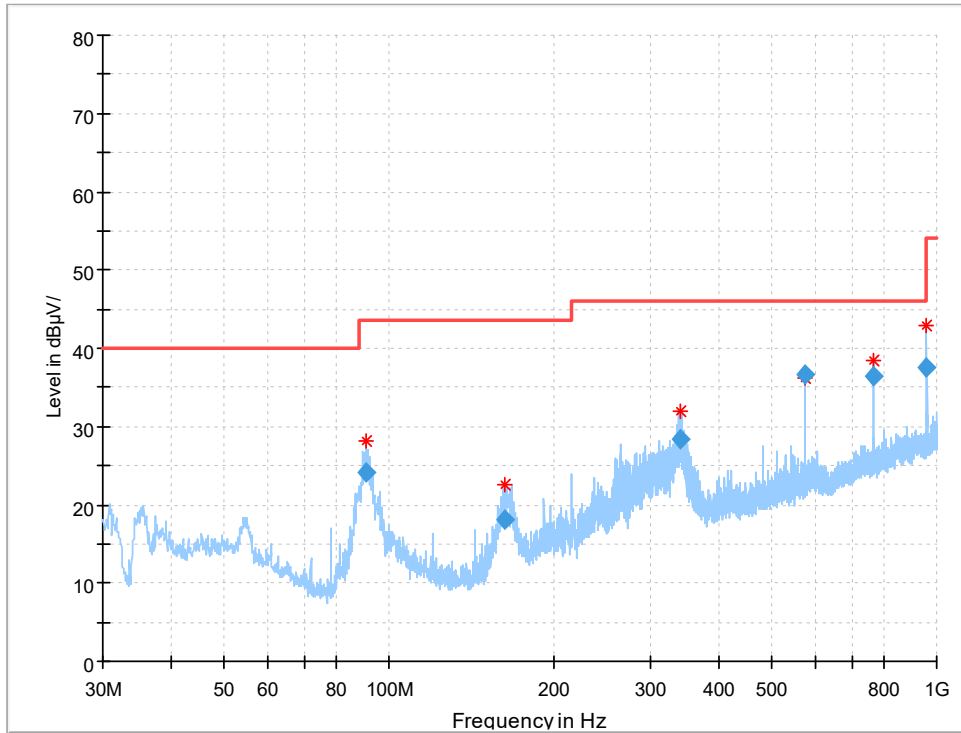
RE 1GHz-18GHz Mode 1-V_Main supply_S1

Final_Result 2

Frequency (MHz)	MaxPeak (dBµV/m)	Average (dBµV/m)	Limit (dBµV/m)	Margin (dB)	Meas. Time (ms)	Bandwidth (kHz)	Height (cm)	Pol	Azimuth (deg)	Corr. (dB/m)
1194.493750	---	26.91	54.00	27.09	500.0	1000.000	100.0	V	252.0	0.5
1194.493750	41.86	---	74.00	32.14	500.0	1000.000	100.0	V	252.0	0.5
1990.917500	---	38.21	54.00	15.79	500.0	1000.000	100.0	V	0.0	6.5
1990.917500	57.66	---	74.00	16.34	500.0	1000.000	100.0	V	0.0	6.5
2989.047500	55.50	---	74.00	18.50	500.0	1000.000	100.0	V	166.0	11.2
2989.047500	---	35.96	54.00	18.04	500.0	1000.000	100.0	V	166.0	11.2
4998.732500	---	38.90	54.00	15.10	500.0	1000.000	111.0	V	47.0	15.9
4998.732500	55.29	---	74.00	18.71	500.0	1000.000	111.0	V	47.0	15.9
6426.753750	---	39.60	54.00	14.40	500.0	1000.000	115.0	V	159.0	18.3
6426.753750	52.50	---	74.00	21.50	500.0	1000.000	115.0	V	159.0	18.3
7553.011250	53.49	---	74.00	20.51	500.0	1000.000	206.0	V	34.0	20.8
7553.011250	---	41.06	54.00	12.94	500.0	1000.000	206.0	V	34.0	20.8

Chongqing Academy of Information and Communication Technology

Address: No. 8,Yuma Road, Chayuan New City, Nan'an District, Chongqing, P. R. China,401336
 Tel: 0086-23-88069965 FAX:0086-23-88608777



RE 30MHz-1GHz Mode 1_Secondary supply_S2

Final Result

Frequency (MHz)	QuasiPeak (dBµV/m)	Limit (dBµV/m)	Margin (dB)	Height (cm)	Pol	Azimuth (deg)	Corr. (dB/m)
90.578920	24.21	43.50	19.29	200.0	H	347.0	-15.0
162.642240	18.15	43.50	25.35	200.0	H	188.0	-15.7
339.239640	28.27	46.00	17.73	100.0	H	114.0	-8.5
575.984800	36.56	46.00	9.44	100.0	V	121.0	-3.6
767.985000	36.35	46.00	9.65	100.0	H	90.0	0.0
959.966640	37.47	46.00	8.53	100.0	H	139.0	2.3

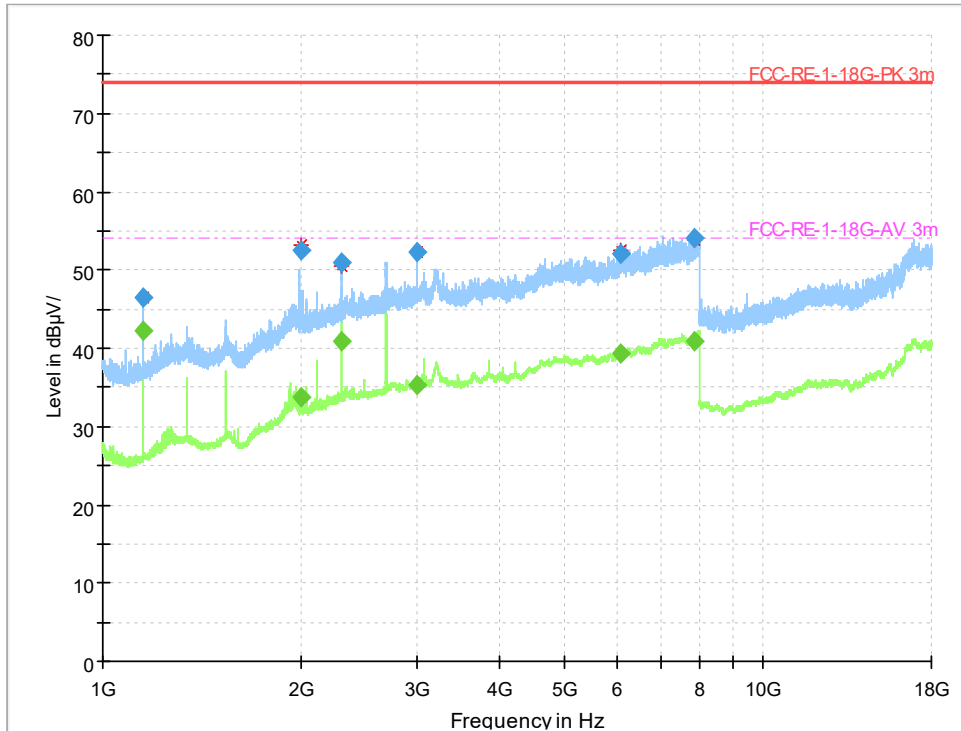
Corr.(dB)=Cable loss -Antenna Factor

Test result=Test receiver value-Corr.(dB)

Horizontal and vertical polarity is all have been tested, the result of them is synthesized in the above data diagram.

Chongqing Academy of Information and Communication Technology

Address: No. 8,Yuma Road, Chayuan New City, Nan'an District, Chongqing, P. R. China,401336
Tel: 0086-23-88069965 FAX:0086-23-88608777



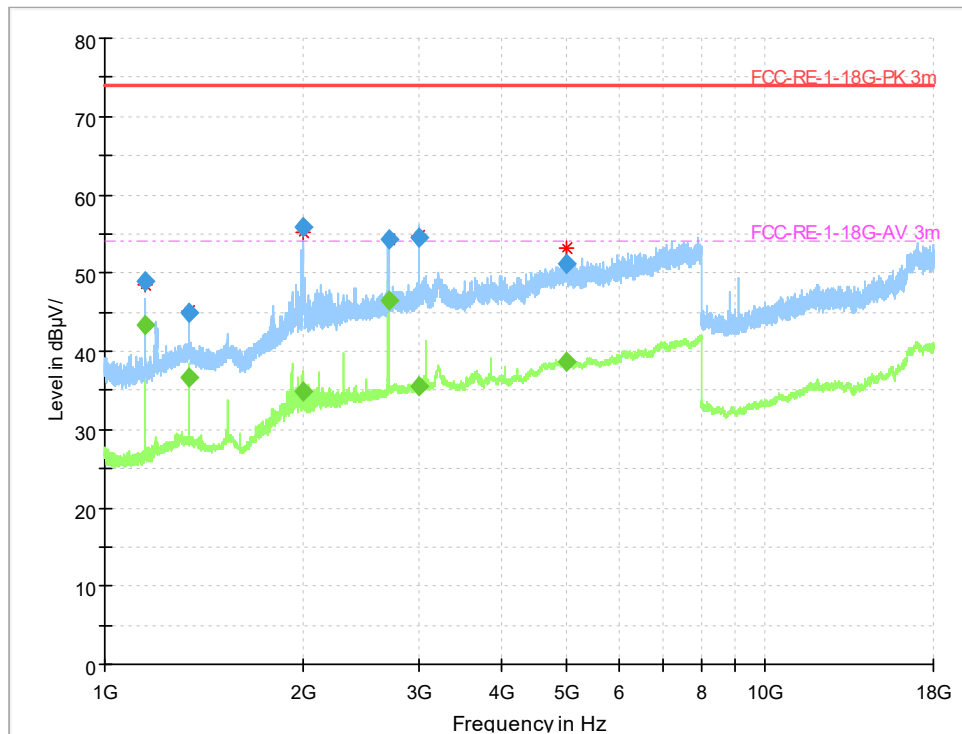
RE 1GHz-18GHz Mode 1-H_ Secondary supply_S2

Final_Result 1

Frequency (MHz)	MaxPeak (dBµV/m)	Average (dBµV/m)	Limit (dBµV/m)	Margin (dB)	Meas. Time (ms)	Bandwidth (kHz)	Height (cm)	Pol	Azimuth (deg)	Corr. (dB/m)
1151.928750	---	42.25	54.00	11.75	500.0	1000.000	100.0	H	111.0	0.0
1151.928750	46.49	---	74.00	27.51	500.0	1000.000	100.0	H	111.0	0.0
1994.375000	---	33.66	54.00	20.34	500.0	1000.000	100.0	H	140.0	6.4
1994.375000	52.46	---	74.00	21.54	500.0	1000.000	100.0	H	140.0	6.4
2303.285000	51.03	---	74.00	22.97	500.0	1000.000	100.0	H	55.0	8.2
2303.285000	---	40.84	54.00	13.16	500.0	1000.000	100.0	H	55.0	8.2
2995.992250	---	35.36	54.00	18.64	500.0	1000.000	100.0	H	308.0	11.2
2995.992250	52.28	---	74.00	21.72	500.0	1000.000	100.0	H	308.0	11.2
6084.707500	---	39.41	54.00	14.59	500.0	1000.000	115.0	H	20.0	18.1
6084.707500	52.06	---	74.00	21.94	500.0	1000.000	115.0	H	20.0	18.1
7875.228750	54.05	---	74.00	19.95	500.0	1000.000	206.0	H	252.0	20.8
7875.228750	---	40.97	54.00	13.03	500.0	1000.000	206.0	H	252.0	20.8

Chongqing Academy of Information and Communication Technology

Address: No. 8, Yuma Road, Chayuan New City, Nan'an District, Chongqing, P. R. China, 401336
 Tel: 0086-23-88069965 FAX: 0086-23-88608777



RE 1GHz-18GHz Mode 1-V_ Secondary supply_S2

Final_Result 2

Frequency (MHz)	MaxPeak (dBµV/m)	Average (dBµV/m)	Limit (dBµV/m)	Margin (dB)	Meas. Time (ms)	Bandwidth (kHz)	Height (cm)	Pol	Azimuth (deg)	Corr. (dB/m)
1151.567500	---	43.33	54.00	10.67	500.0	1000.000	100.0	V	49.0	0.0
1151.567500	48.91	---	74.00	25.09	500.0	1000.000	100.0	V	49.0	0.0
1343.812500	44.96	---	74.00	29.04	500.0	1000.000	100.0	V	220.0	2.7
1343.812500	---	36.62	54.00	17.38	500.0	1000.000	100.0	V	220.0	2.7
1993.681250	55.90	---	74.00	18.10	500.0	1000.000	100.0	V	0.0	6.4
1993.681250	---	34.77	54.00	19.23	500.0	1000.000	100.0	V	0.0	6.4
2688.607500	54.40	---	74.00	19.60	500.0	1000.000	100.0	V	49.0	9.9
2688.607500	---	46.42	54.00	7.58	500.0	1000.000	100.0	V	49.0	9.9
2998.500000	---	35.55	54.00	18.45	500.0	1000.000	103.0	V	220.0	11.3
2998.500000	54.48	---	74.00	19.52	500.0	1000.000	103.0	V	220.0	11.3
4998.570000	51.20	---	74.00	22.80	500.0	1000.000	103.0	V	57.0	15.9
4998.570000	---	38.58	54.00	15.42	500.0	1000.000	103.0	V	57.0	15.9

Chongqing Academy of Information and Communication Technology

Address: No. 8, Yuma Road, Chayuan New City, Nan'an District, Chongqing, P. R. China, 401336
 Tel: 0086-23-88069965 FAX: 0086-23-88608777



7.2. Conducted Emission

S1 (Main supply)

Specifications:	15.107
Date of Tests	2023-08-25
Test conditions:	Ambient Temperature:23.4°C Relative Humidity:52.3% Air pressure: 100.5kPa
Operation Mode	Mode 1: Data Link mode+ UA03 Mode 2: GSM850 receiver mode + CB06+ UA03+ AA05 Mode 3: LTE2 receiver mode+ Front Camera+ CB06+ UA03+ AA05 Mode 4: LTE4 receiver mode+ Back Camera+ CB06+ UA03+ AA05 Mode 5: FM mode+ CB06+ UA03+ AA05 Mode 6: GNSS (GPS/GLONASS/BDS/Galileo) mode+ CB06+ UA03+ AA05
Test Results:	Pass
Note:	
<ol style="list-style-type: none"> The worst case of Conducted emission is Mode 1. All test modes are performed, only the worst cases test data are recorded in this report. After laboratory verification, GSM850 & LTE 2& LTE4 is the worst mode among all receiving modes of 2G/3G/4G and is recorded in the report. 	

Limit Level Construction:

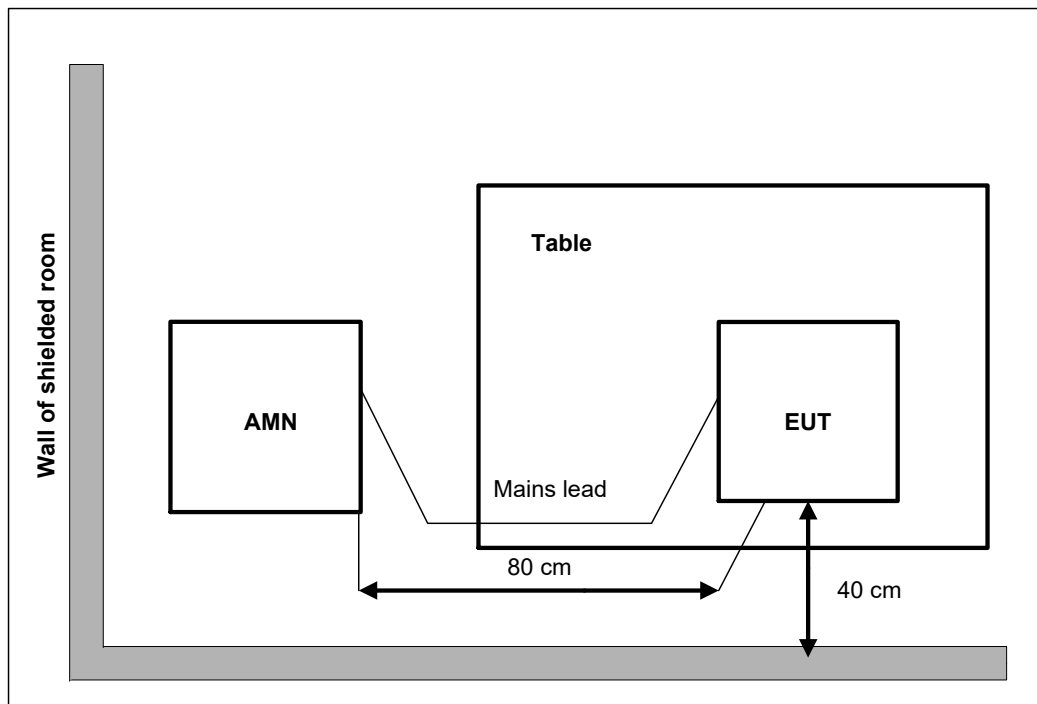
Frequency Range (MHz)	Conducted Limit (dBuV)	
	Quasi-peak	Average
0.15-0.5	66 to 56*	56 to 46*
0.5-5	56	46
5-30	60	50

*Decreases with the logarithm of the frequency

EUT Setup:

Chongqing Academy of Information and Communication Technology

Address: No. 8,Yuma Road, Chayuan New City, Nan'an District, Chongqing, P. R. China,401336
Tel: 0086-23-88069965 FAX:0086-23-88608777

**Test Method:**

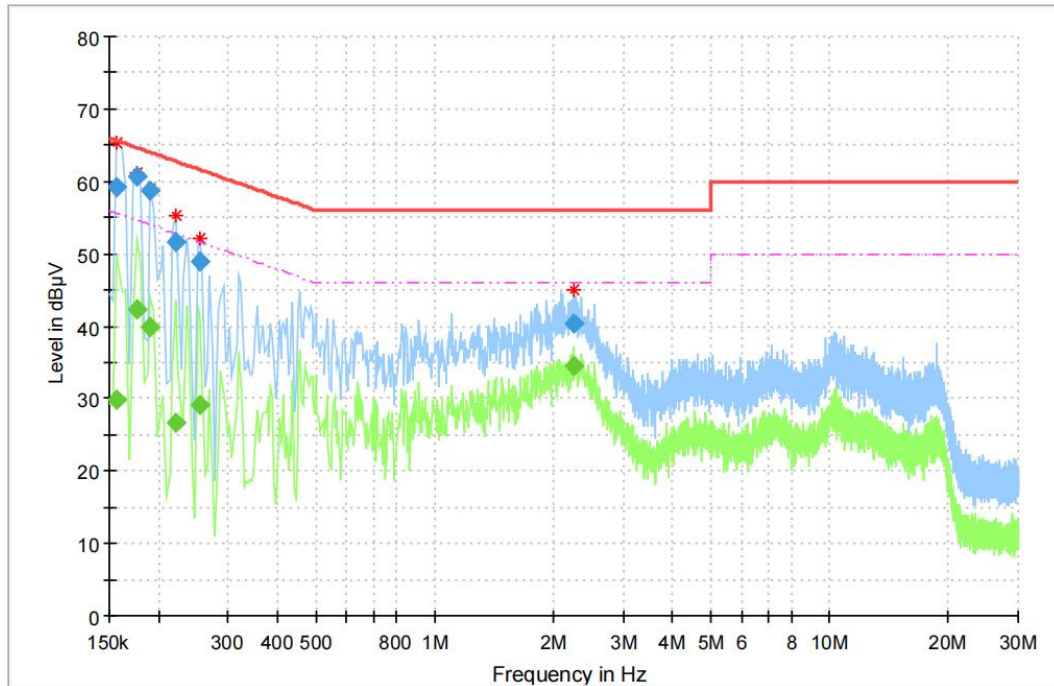
For equipment that is designed to be connected to the public utility (AC) power line, the radio frequency voltage that is conducted back onto the AC power line on any frequency or frequencies with the band 150 kHz to 30MHz shall not exceed the limits. Both lines of the power mains connected to the EUT were checked for maximum conducted interference. Tested in accordance with the procedures of ANSI C63.4-2014, section 7.

Uncertainty Measurement:

The measurement uncertainty (150kHz-30MHz) is 1.97 dB (k=2).

Test Data**Chongqing Academy of Information and Communication Technology**

Address: No. 8, Yuma Road, Chayuan New City, Nan'an District, Chongqing, P. R. China, 401336
Tel: 0086-23-88069965 FAX: 0086-23-88608777



CE 150kHz-30MHz Mode 1_Main supply_S1

Final Result

Frequency (MHz)	QuasiPeak (dBµV)	Average (dBµV)	Meas. Time (ms)	Bandwidth (kHz)	Filter	Line	Corr. (dB)	Margin (dB)	Limit (dBµV)
0.157463	---	29.85	15000.0	9.000	ON	9.000	L1	25.75	55.60
0.157463	59.20	---	15000.0	9.000	ON	9.000	L1	6.40	65.60
0.176119	---	42.35	15000.0	9.000	ON	9.000	L1	12.32	54.67
0.176119	60.67	---	15000.0	9.000	ON	9.000	L1	3.99	64.67
0.191044	---	39.80	15000.0	9.000	ON	9.000	L1	14.19	53.99
0.191044	58.70	---	15000.0	9.000	ON	9.000	L1	5.29	63.99
0.220894	---	26.56	15000.0	9.000	ON	9.000	L1	26.23	52.79
0.220894	51.62	---	15000.0	9.000	ON	9.000	L1	11.16	62.79
0.254475	---	29.16	15000.0	9.000	ON	9.000	L1	22.45	51.61
0.254475	49.02	---	15000.0	9.000	ON	9.000	L1	12.59	61.61
2.250694	---	34.42	15000.0	9.000	ON	9.000	N	11.58	46.00
2.250694	40.31	---	15000.0	9.000	ON	9.000	N	15.69	56.00

L1 and N is all have been tested, the result of them is synthesized in the above data diagram.

Emission level(quasi-peak or Average peak)(dBµV)=Raw value by receiver(dBµV) + Corr(Insertion loss+ cable loss) (dB)

The raw value is used to calculate by software which is not shown in the sheet.

Margin (dB) =limit value(dBµV) – emission level(dBµV).

Chongqing Academy of Information and Communication Technology

Address: No. 8,Yuma Road, Chayuan New City, Nan'an District, Chongqing, P. R. China,401336
 Tel: 0086-23-88069965 FAX:0086-23-88608777



Report No.: I23W00045-EMC

Annex A EUT Photos

See the document” I23W00045-External Photos”.

See the document” I23W00045-Internal Photos”.

Test photo See the in document “I23W00045_EMC Test Setup Photos”.

Chongqing Academy of Information and Communication Technology

Address: No. 8, Yuma Road, Chayuan New City, Nan'an District, Chongqing, P. R. China, 401336
Tel: 0086-23-88069965 FAX: 0086-23-88608777



Report No.: I23W00045-EMC

ANNEX B Deviations from Prescribed Test Methods

No deviation from Prescribed Test Methods.

*****END OF REPORT*****

Chongqing Academy of Information and Communication Technology

Address: No. 8, Yuma Road, Chayuan New City, Nan'an District, Chongqing, P. R. China, 401336
Tel: 0086-23-88069965 FAX: 0086-23-88608777