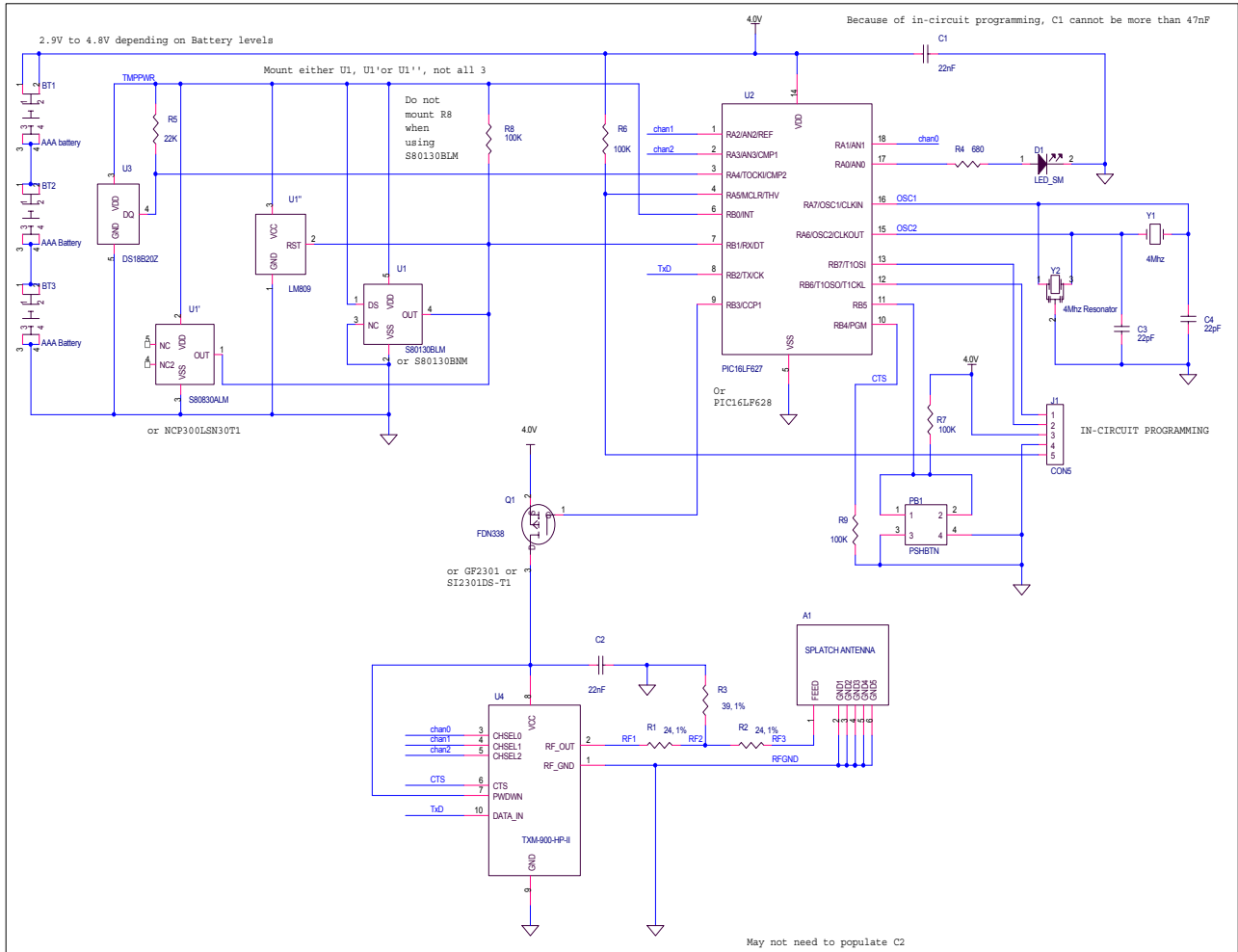


Sensor Link Room Temperature Transmitter Schematic Diagram

HTC Product #	Doc #	Rev.	Date
904710-00	EDR005	A	11/6/02



Sensor Link Room Temperature Transmitter Schematic Diagram