

MicroPay6 C3 – Contactless Credit Card.

Cashless payments on the highest level of security with credit card, NFC mobile phone and U-KEY.



MicroPay6 C3 – the unique solution combines the latest Payment methods such as QR codes with NFC / RFID and credit card acceptance. The integrated telemetry provides fully automated sales note, alarm management and remote maintenance.

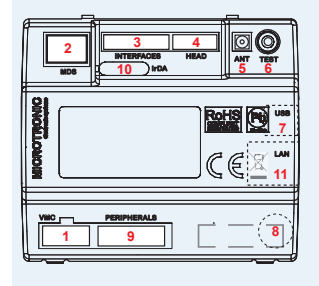
- Highest security of all credit card transactions through online authorization
- the C3 solution accepted apart from credit cards all NFC/RFID payment forms and recently also QR-code transactions!
- The audit data are transferred encrypted via telemetry include all credit card sales, all cash and cashless transactions
- Easiest commissioning by dynamic setup

Using online QR code opens a new world: **e-vending**

MicroPay6 C3 Technical information

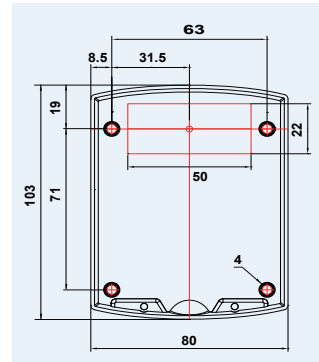
MicroPay Control Unit (MCU)

Dimensions	L 110 x W 102 x H 25 mm	1 VMC: MDB/EXE
Case	ABS	2 MDS: Bluetooth/SAM
Weight	110 g	Relay/RS232/
Processor	ARM7 32 bit	QR code scanner
Operating voltage	24 VAC/9 to 40 VDC	3 INTERFACES: LCD Display
Power consumption	4,0 W	Microswitch
Max. load CGI	20 W by +34 VDC	4 HEAD: MKH/MBH
Max. peak load (5 Sek)	60 W by +34 VDC	5 ANT: Coax connector
RTC/Battery powered	3 years	6 TEST: Multifunctional button
Operating temperature	-20°C to +50°C	7 USB: Down-/Upload
Certification	CE/RoHS/WEEE	8 Battery slot : CR1220
		9 PERIPHERALS: Change giver/bill validator/ cashless device
		10 IrDA
		11 LAN: Ethernet 802.3



MicroPay Contactless Head (UCH)

Standards	EMV Contactless 2.0/ISO 14443-A/B/NFC
Dimensions	L 80 x A 103 x P 26 mm
Material	PC
Weight	100 g
User interface EMVco	4 LED green/3 LED green, amber, red, buzzer according to EVA-CVS
Transmission	RFID (data and energy)
Front fitting:	
Fixation	PT® screw KA 35 x 12 WN 1411/4 pieces
Drill hole	4 x Ø 4 mm (fixation)
Rectangular cutout	50 x 22 mm (cable feedthrough)



Following RFID technologies are supported:

- MIFARE Mini
- MIFARE Classic
- MIFARE Plus EV1 1K (from October 2014)
- MIFARE Plus
- MIFARE DESFire
- MIFARE DESFire EV1/EV2 (from October 2014)
- CALYPSO

Electronic payment transactions

