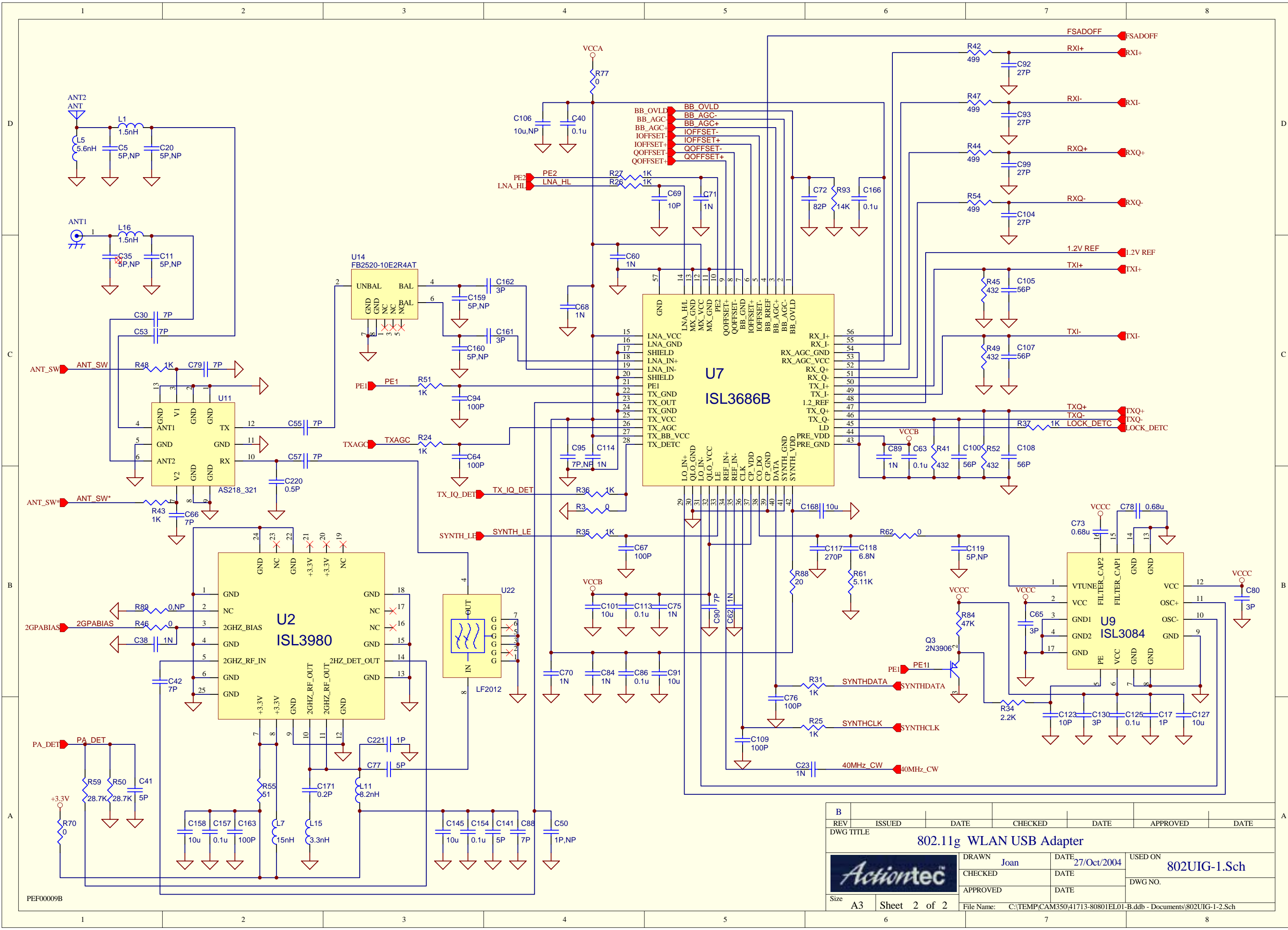



802UIG-1-2
802UIG-1-2.Sch

LNA_HL	ANT_SW*
PE2	ANT_SW
IOFFSET+	QOFFSET+
IOFFSET-	QOFFSET-
FSADOFF	PA_DET
BB_AGC+	2GPABIAS
BB_AGC-	SYNTHDATA
BB_OVLD	SYNTHCLK
RXL+	40MHz_CW
RXL-	PE1
RXQ+	LOCK_DET
RXQ-	TXQ+
TXQ+	TXQ-
TXI+	TXI-
TXI-	TXI+
TXAGC	TXI-
SYNTH_LE	1.2V_REF

REV	ISSUED	DATE	CHECKED	DATE	APPROVED	DATE
DWG TITLE						
802.11g WLAN USB Adapter						
DRAWN		DATE		USED ON		
Joan		27/Oct/2004		802UIG-1.Sch		
CHECKED		DATE		DWG NO.		
APPROVED		DATE				
Size	C	Sheet	1 of 2	File Name:	C:\TEMP\CAM350\41713-80801E01-B.ddb - Documents\802UIG-1-1.Sch	



REV	ISSUED	DATE	CHECKED	DATE	APPROVED	DATE
DWG TITLE						
802.11g WLAN USB Adapter						
		DRAWN	Joan	DATE	27/Oct/2004	USED ON
		CHECKED		DATE		802UIG-1.Sch
		APPROVED		DATE		DWG NO.
Size	A3	Sheet	2 of 2	File Name:	C:\TEMP\CAM350\41713-80801EL01-B.ddb - Documents\802UIG-1-2.Sch	

PEF00009B