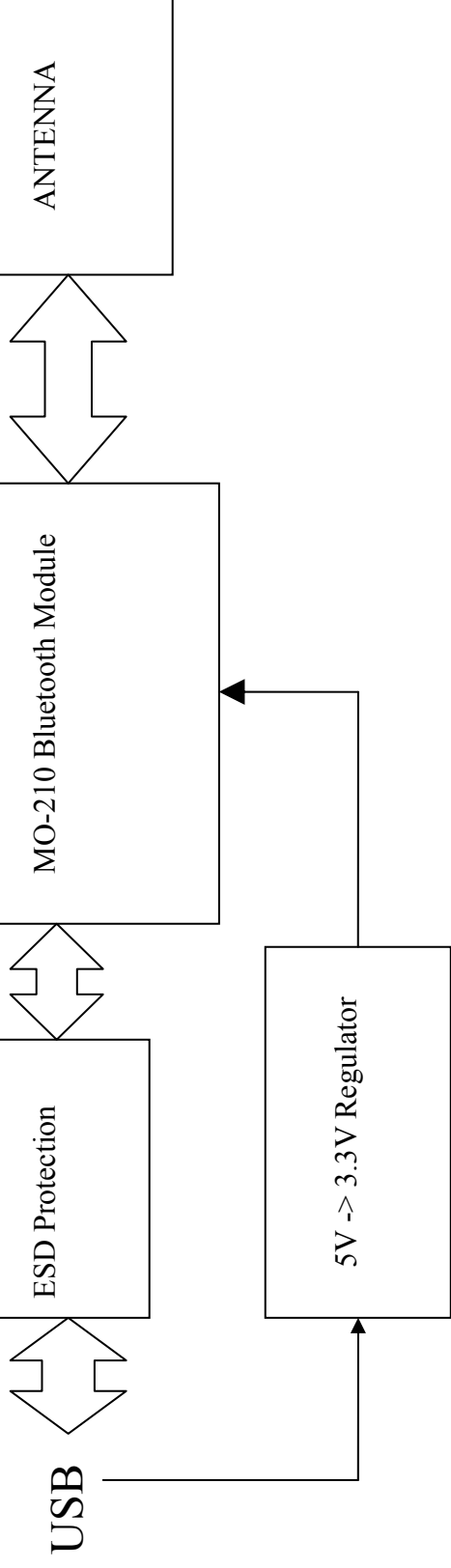


Bluetooth USB Dongle Block Diagram



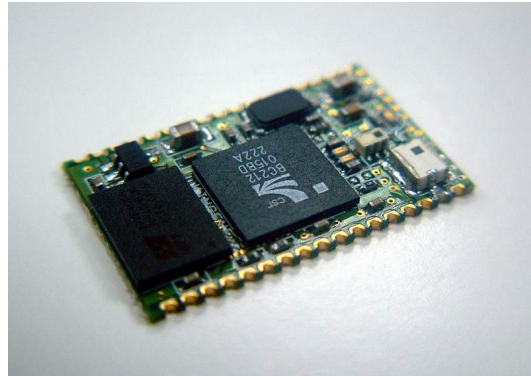


KINGENE Technology Corporation

Bluetooth Module MO-210

Features

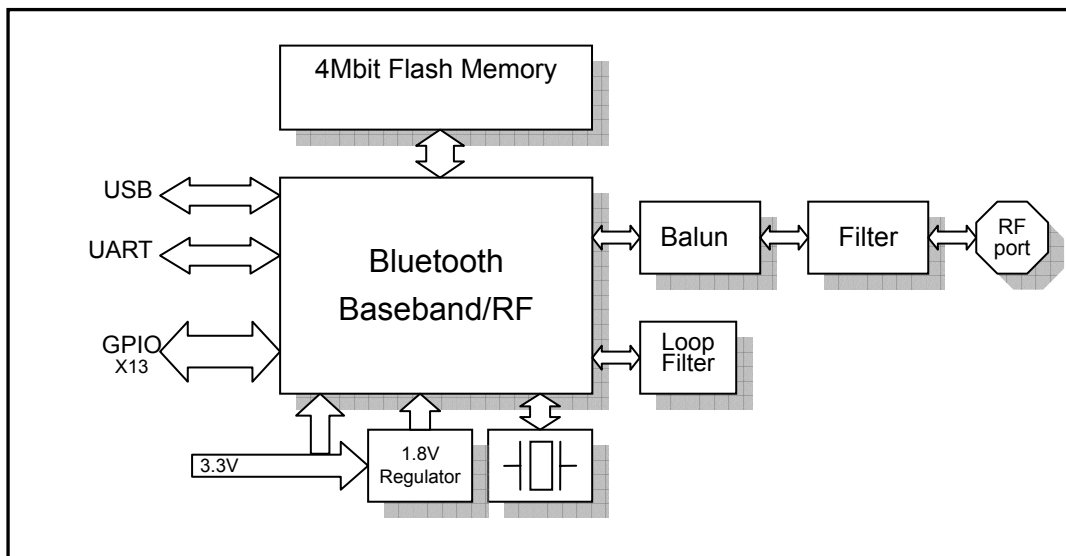
- Bluetooth™ standard v1.1 compliant
- 3.3V operation
- Built-in oscillator and 1.8V regulator
- Low power consumption
- Support Hold, Sniff, and Park mode
- 7-slave Piconet capability
- USB and UART interface



Applications

- Notebook PC
- PDA
- Cellular Phone
- Wireless Headset/Handsfree
- Wireless Mouse

Block Diagram



Specifications

1. Radio

Features	Characters	Unit
Operating Frequency Range	2402 – 2480	MHz
Channel Bandwidth	1	MHz
Transmit Power Level	0	dBm
Frequency Accuracy	10	ppm
Receiver Sensitivity	-82	dBm

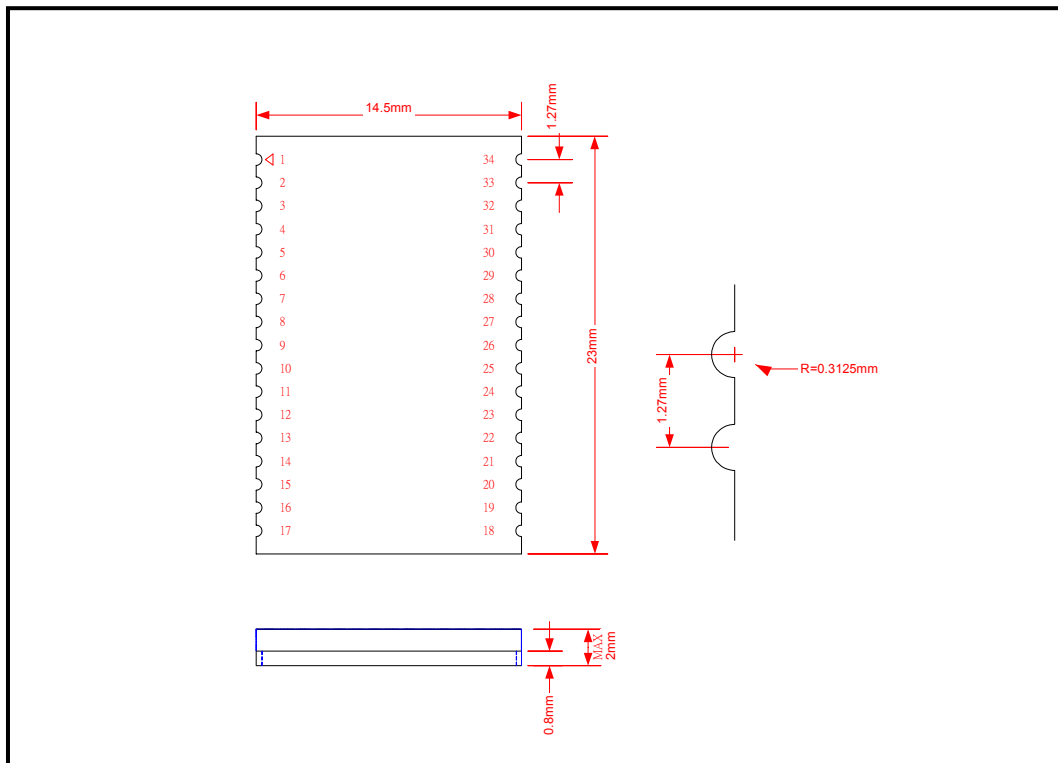
2. Operation

Features	Characters	Unit
Operating Temperature	0 - 85	°C
Humidity	95% Non-condensing	RH
Power Supply	3.3	V

3. Physical

Features	Characters	Unit
Dimension	14.5 * 23 * 2	mm
Weight	7	g

Drawing



Terminal Description

Number	Symbol	I/O	Description
1	PIO9	I/O	Programmable I/O
2	PIO10	I/O	Programmable I/O
3	PIO11	I/O	Programmable I/O
4	AIO0	I/O	Programmable analog I/O
5	AIO1	I/O	Programmable analog I/O
6	RESET	I	Reset input, active high
7	SPI_MISO	O	Synchronous serial interface - data output
8	SPI_CSB	I	Synchronous serial interface - chip select
9	SPI_CLK	I	Synchronous serial interface - clock
10	SPI_MOSI	I	Synchronous serial interface - data input
11	UART_CTS	I	Asynchronous serial interface - CTS
12	UART_TX	O	Asynchronous serial interface - Tx/D
13	UART_RTS	O	Asynchronous serial interface - RTS
14	UART_RX	I	Asynchronous serial interface - Rx/D
15	+1.8V	POWER	1.8V output from on-board regulator
16	+3.3V	POWER	3.3V power supply input
17	GND	POWER	Ground
18	PCM_OUT	O	Voice data serial output
19	PCM_SYNC	I/O	Voice data frame sync
20	PCM_IN	I	Voice data serial input
21	PCM_CLK	I/O	Voice data serial clock
22	D+	I/O	USB D+
23	D-	I/O	USB D-
24	PIO7	I/O	Programmable I/O
25	PIO6	I/O	Programmable I/O
26	PIO5	I/O	Programmable I/O
27	PIO4	I/O	Programmable I/O
28	PIO3	I/O	Programmable I/O
29	PIO2	I/O	Programmable I/O
30	PIO1	I/O	Programmable I/O
31	PIO0	I/O	Programmable I/O
32	GND	GND	GND
33	RF	RF	50 ohm RF port
34	GND	GND	GND

Ordering Information

Order Number	Description
MO-210-B	Class 2 Bluetooth module, firmware up to HCI, UART interface
MO-210-R	Class 2 Bluetooth module, firmware up to HCI, USB interface
MO-210-D	Class 2 Bluetooth module, firmware up to RFCOMM

Contact Information

KINGENE Technology Corporation

7F, No. 144, Minchuan E. Rd. Sec. 3

Taipei 105

TAIWAN

Tel: +886-2-2717-0551

Fax: +886-2-2717-1263

e-mail: ric@kingene.com