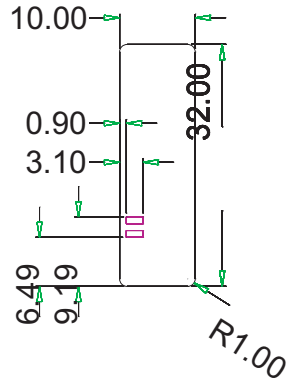
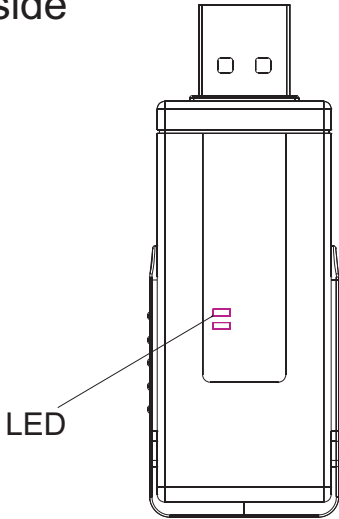
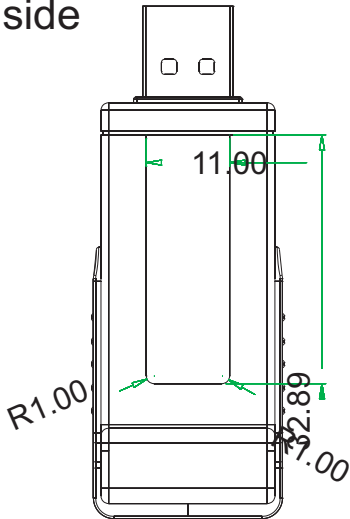


Silkscreen printing and label Spec BT Dongle M2M  
 V2 for PCB Version V1.2 and higher Date 04.12.12

Topside



Bottomside



2D-Barcode = sequential serial  
 QR-Code must be used  
[http://de.wikipedia.org/wiki/QR\\_Code](http://de.wikipedia.org/wiki/QR_Code)

Serial = sequential number starting with 2011030001