

Bluetooth 802.11b Antenna

Tyco Electronics P/N: 1513151-1



Electrical

Frequency Range	2400–2500 MHz
Peak Gain	> 4 dBi
VSWR	less than 2.5:1
Polarization	linear
Power Handling	10 Watt cw
Feed Point Impedance	50 Ohms unbalanced

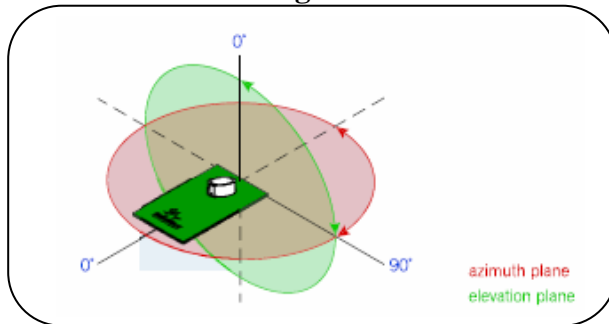
Features

- Wide bandwidth and high gain in a compact size
- Enhanced hemispherical pattern improves RF link reliability of portable devices
- Minimum matching circuits required

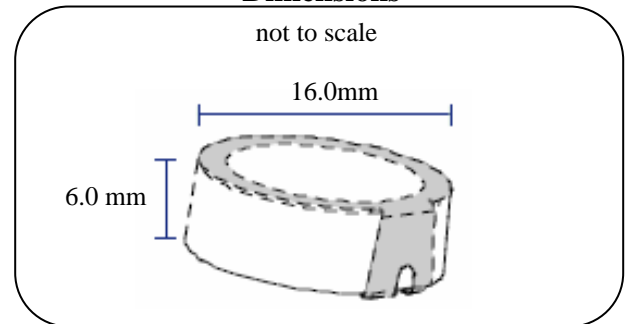
Mechanical

Size	16.0 mm x 6.0 mm
Weight	Less than 1 g

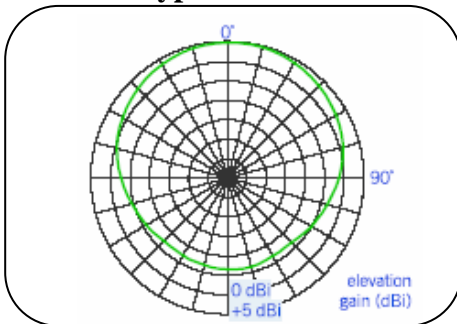
Legend



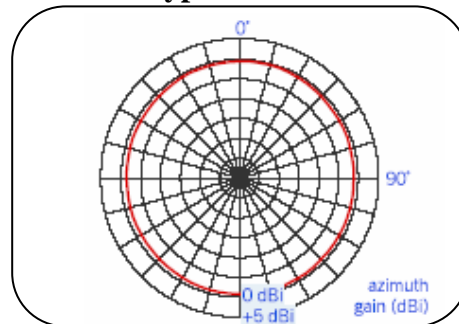
Dimensions



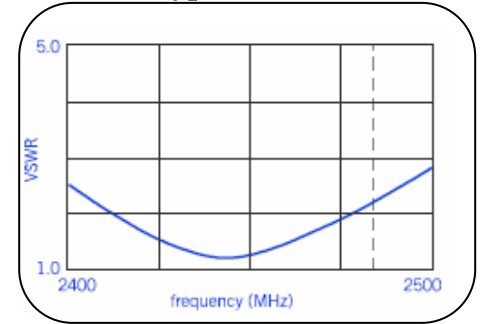
Typical Pattern



Typical Pattern



Typical VSWR



2400 MHz Band