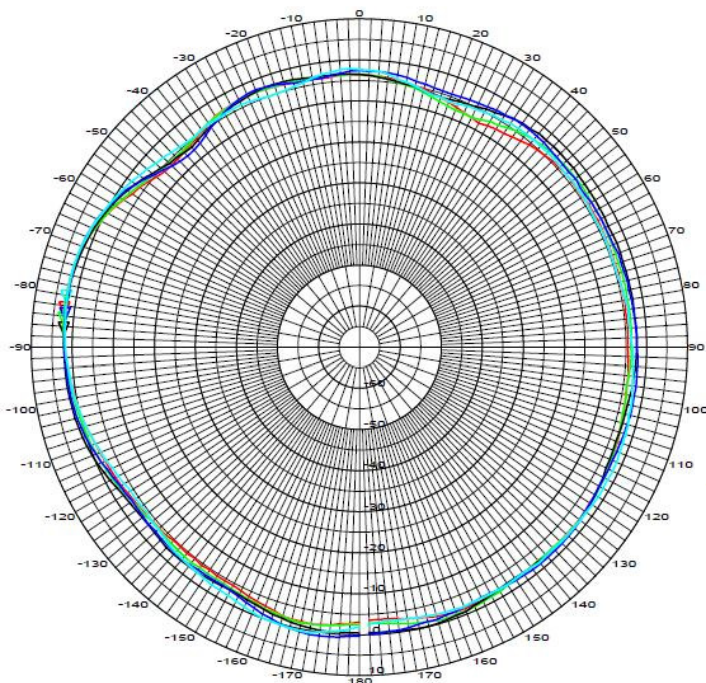


## WSI Dual band antenna

### Technical Specification

<b>Frequencies</b>	2.4-2.5 GHz 5.0-5.8 GHz
<b>Impedance</b>	50 $\Omega$
<b>Max.Gain</b>	
2.45GHz E-plane	> 2 dBi
5.5Ghz E-plane	> 1 dBi
<b>VSWR</b>	<2.0:1 @ 2.45 Ghz <3.0:1 @ 5.5 GHz
<b>Polarisation</b>	Linear
<b>Dimensions</b>	90*25*15 mm
Incl. cable	340*25*15 mm
<b>Weight</b>	15 g
<b>Connector type</b>	UFL (F-male)

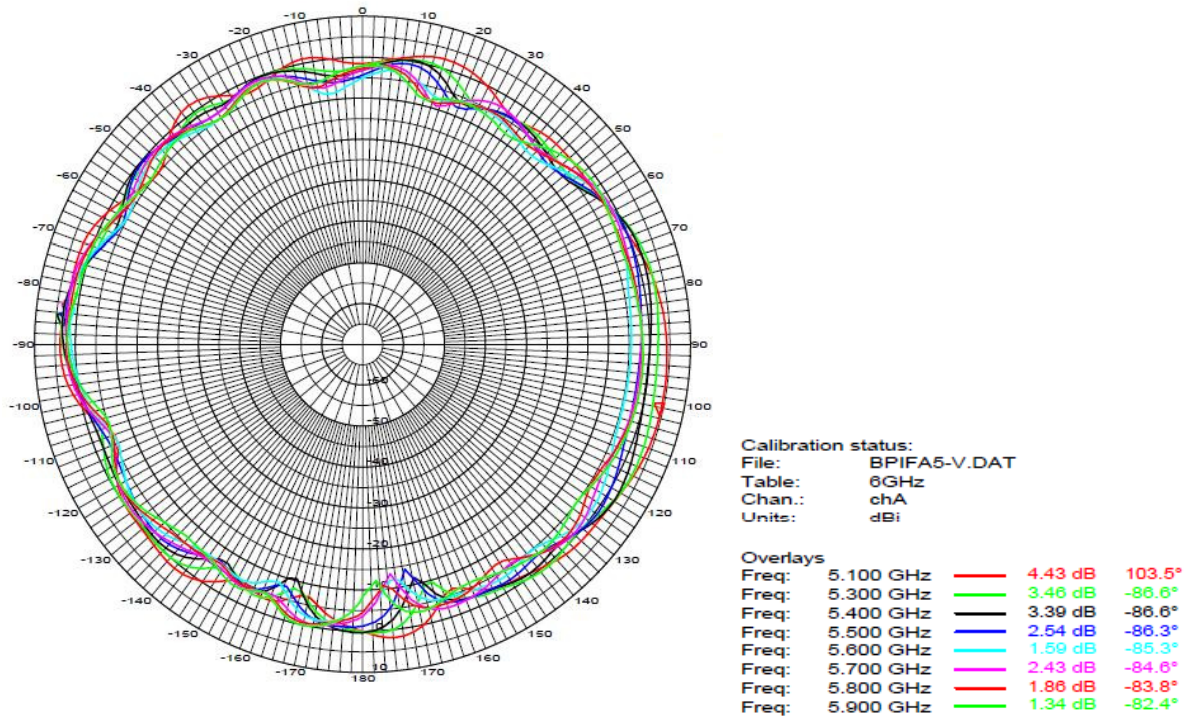


Calibration status:  
File: PIFA2G-V.DAT  
Table: Wifi\_WSI  
Chan.: chA  
Units: dBi

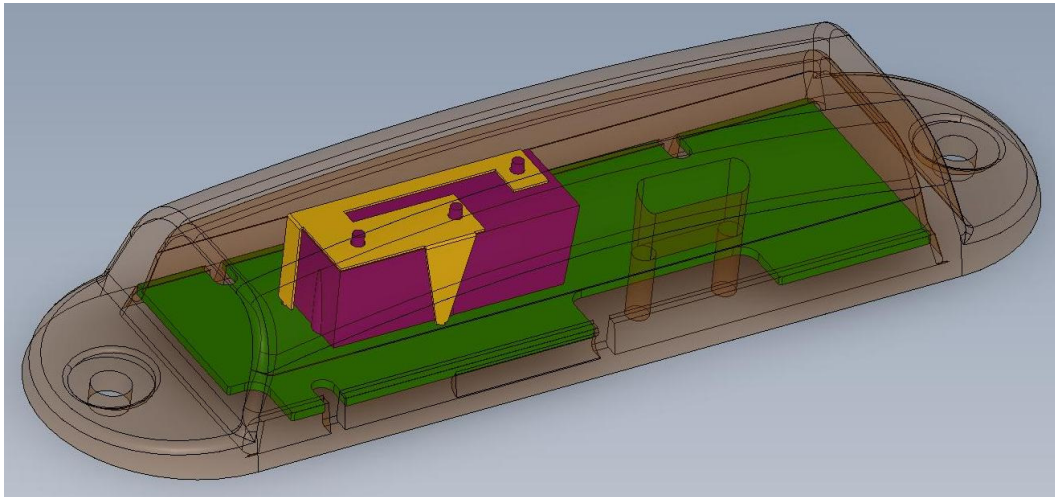
Overlays			
Freq: 2.400 GHz	2.36 dB	-83.7°	
Freq: 2.412 GHz	2.36 dB	-85.7°	
Freq: 2.437 GHz	2.11 dB	-87.6°	
Freq: 2.462 GHz	2.05 dB	-84.8°	
Freq: 2.500 GHz	2.24 dB	-81.4°	

Typical H-plane radiation pattern at 2.45GHz

## WSI Dual band antenna



Typical H-plane radiation pattern at 5.5GHz



Antenna assembly