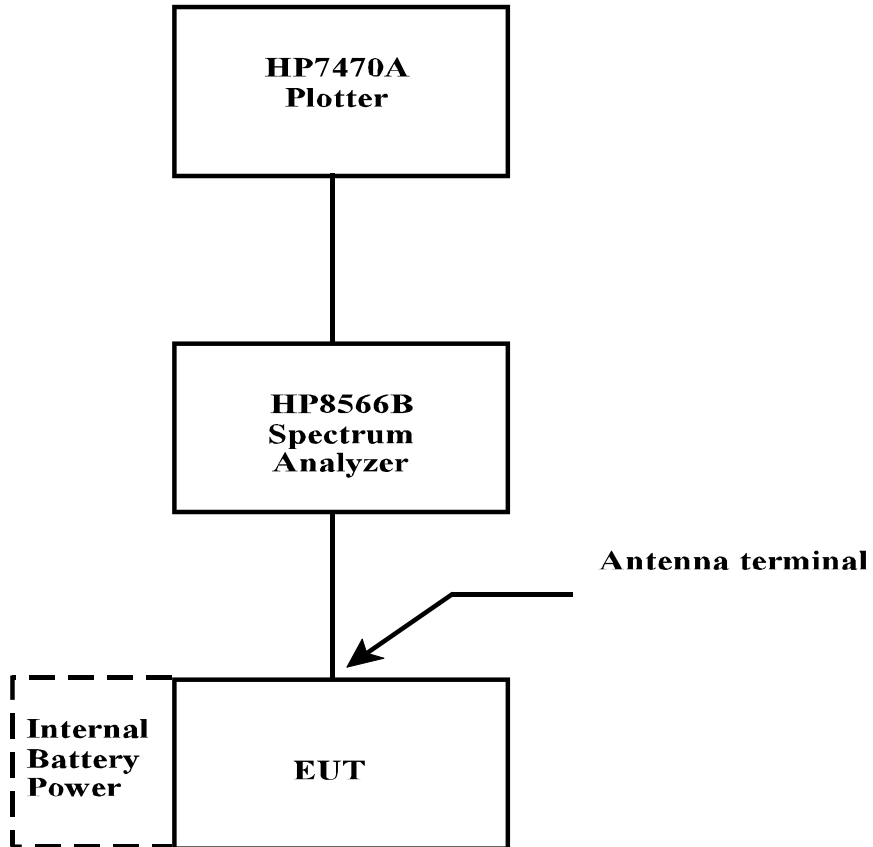
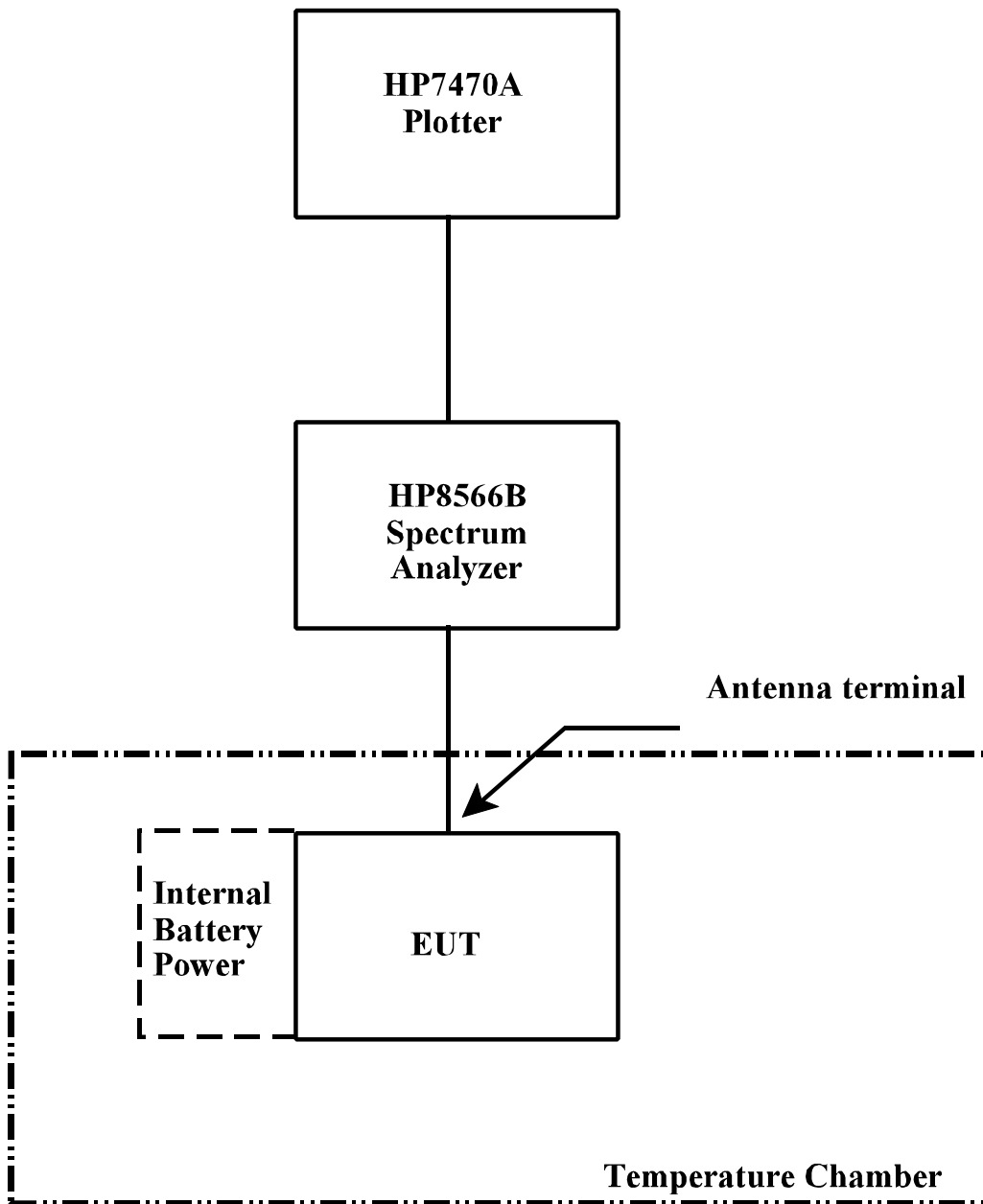


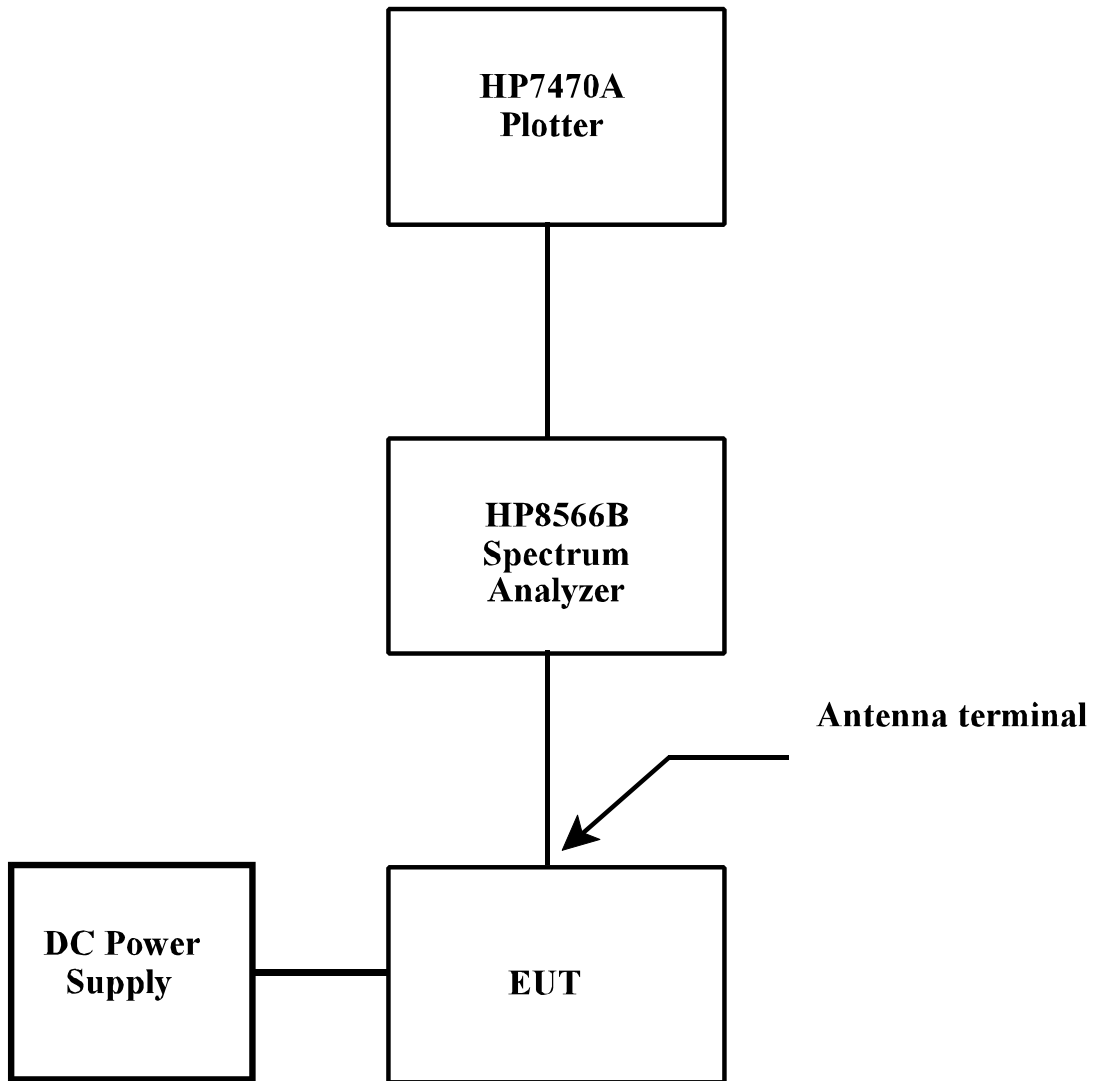
**Block Diagram for**  
**RF Output Power**  
**Modulation Characteristics**  
**Occupied Bandwidth**  
**Spurious Emissions at Antenna Terminals**



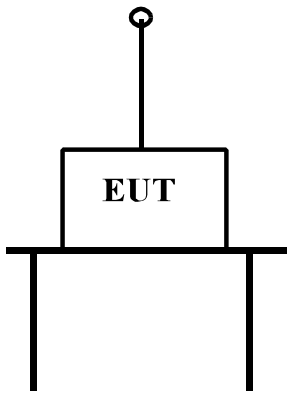
**Block Diagram for  
Frequency Stability (Temperature)**



**Block Diagram for**  
**Frequency Stability (Low Power)**



## Block Diagram for Radiated Spurious Emissions



Separation distance = 3 meters  
Receive antenna varied 1-4 meters  
EUT placed on OATS on wooden table above ground reference plane.

Once signal are identified, signal generator is substituted in and the field strength is recorded.

