

6 5 4 3 2 1

ISSUE	REVISION	DATE:	MADE BY	APPROVED BY
1.0	FIRST RELEASE FOR PRODUCTION	MAY 22 03	M.J.LIU	ALAN TONG

S1 (K01)	S2 (K00)	OPERATION
0	0	NORMAL OPERATION
0	1	RUNNING DIGIT TEST MODE
1	0	TEMP. COUNT TEST MODE
1	1	RUNNING DIGIT WITH NORMAL SAMPLING RATE TEST MODE

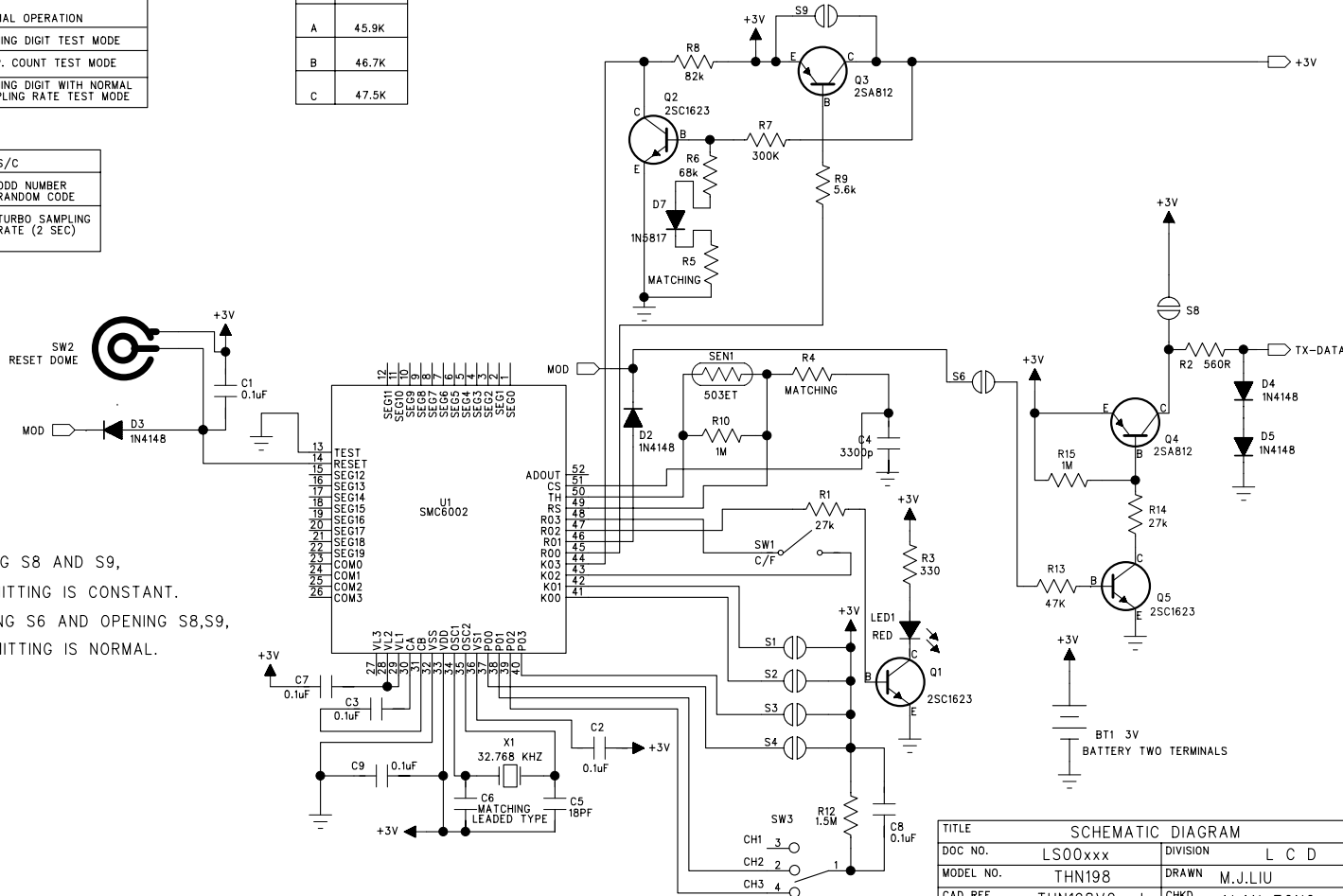
503ET	R4
A	45.9K
B	46.7K
C	47.5K

0 : O/C
1 : S/C

S3 (P03)	O/C	S/C
NORMAL		ODD NUMBER RANDOM CODE
S4 (P00)	NORMAL	TURBO SAMPLING RATE (2 SEC)

REMARK:

- IF SHORTING S8 AND S9, THE TRANSMITTING IS CONSTANT.
- IF SHORTING S6 AND OPENING S8,S9, THE TRANSMITTING IS NORMAL.



TITLE			
DOC NO.	LS00xxx	DIVISION	L C D
MODEL NO.	THN198	DRAWN	M.J.LIU
CAD REF.	THN198V2.sch	CHKD	ALAN TONG
PAGE	1	OF	2
		APPD.	ALAN TONG
IDT TECHNOLOGY LTD.			

6

5

4

3

2

1

D

D

C

C

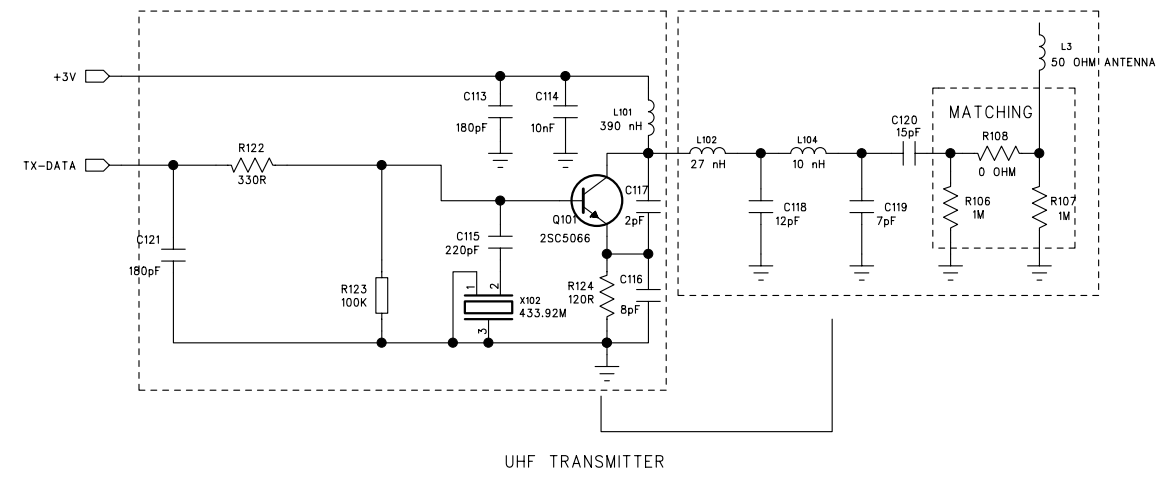
B

B

A

A

ISSUE	REVISION	DATE:	MADE BY	APPROVED BY
1.0	FIRST RELEASE FOR PRODUCTION	APR 25 03	M.J.LIU	ALAN TONG



TITLE		SCHEMATIC DIAGRAM	
DOC NO.	LS00XXX	DIVISION	L C D
MODEL NO.	THN198	DRAWN	M.J.LIU
CAD REF.	THN198V2.SCH	CHKD	ALAN TONG
PAGE	2 OF 2	APPD.	ALAN TONG
IDT TECHNOLOGY LTD.			