

6

5

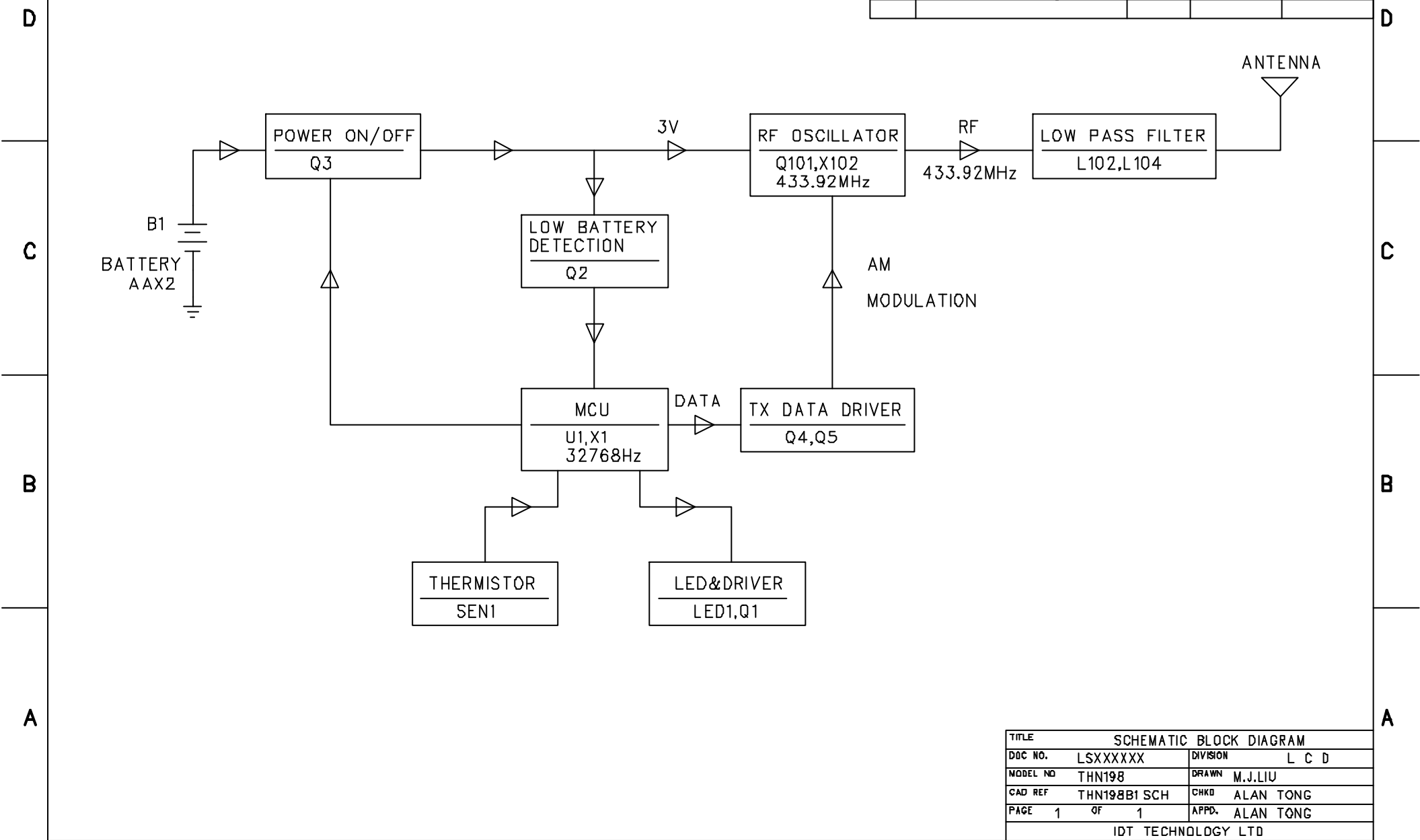
4

3

2

1

ISSUE	REVISION	DATE	MADE BY	APPROVED BY
1.0	FIRST RELEASE FOR PRODUCTION	JUL 14 03	M J LIU	ALAN TONG



TITLE				
SCHEMATIC BLOCK DIAGRAM				
DOC NO.	LSXXXXXX	DIVISION	L C D	
MODEL NO	THN198	DRAWN	M.J.LIU	
CAD REF	THN198B1 SCH	CHKD	ALAN TONG	
PAGE	1	OF	1	APPD. ALAN TONG
IDT TECHNOLOGY LTD				