

6

5

4

3

2

1

ISSUE	REVISION	DATE:	MADE BY	APPROVED BY
1.0	FIRST RELEASE FOR PRODUCTION	JUN 12 03	CDU	RAYMOND

D

D

C

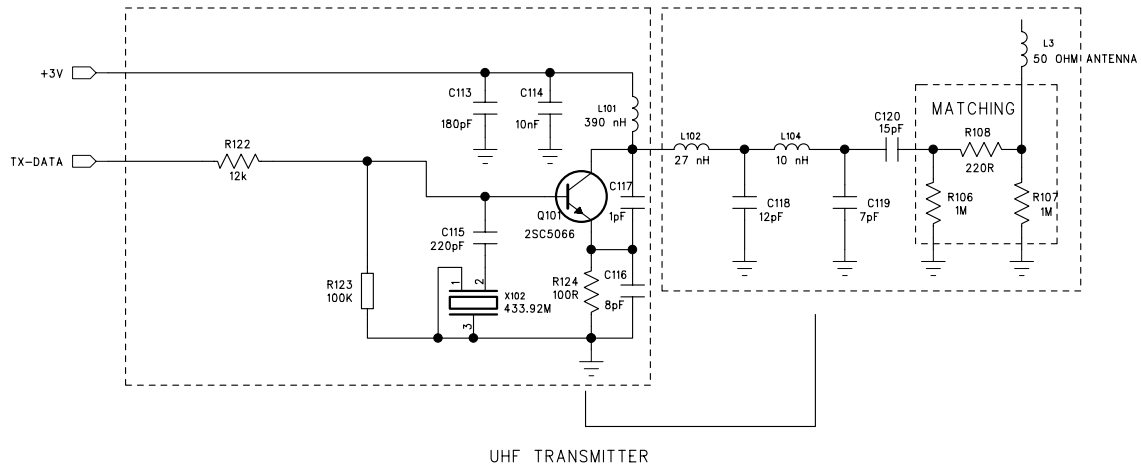
C

B

B

A

A



TITLE		SCHEMATIC DIAGRAM	
DOC NO.	LS00883	DIVISION	L C D
MODEL NO.	THGR198N	DRAWN	CDU
CAD REF.	198NLS.SCH	CHKD	RAYMOND WONG
PAGE	2	OF	2
		APPD.	RAYMOND WONG
IDT TECHNOLOGY LTD.			