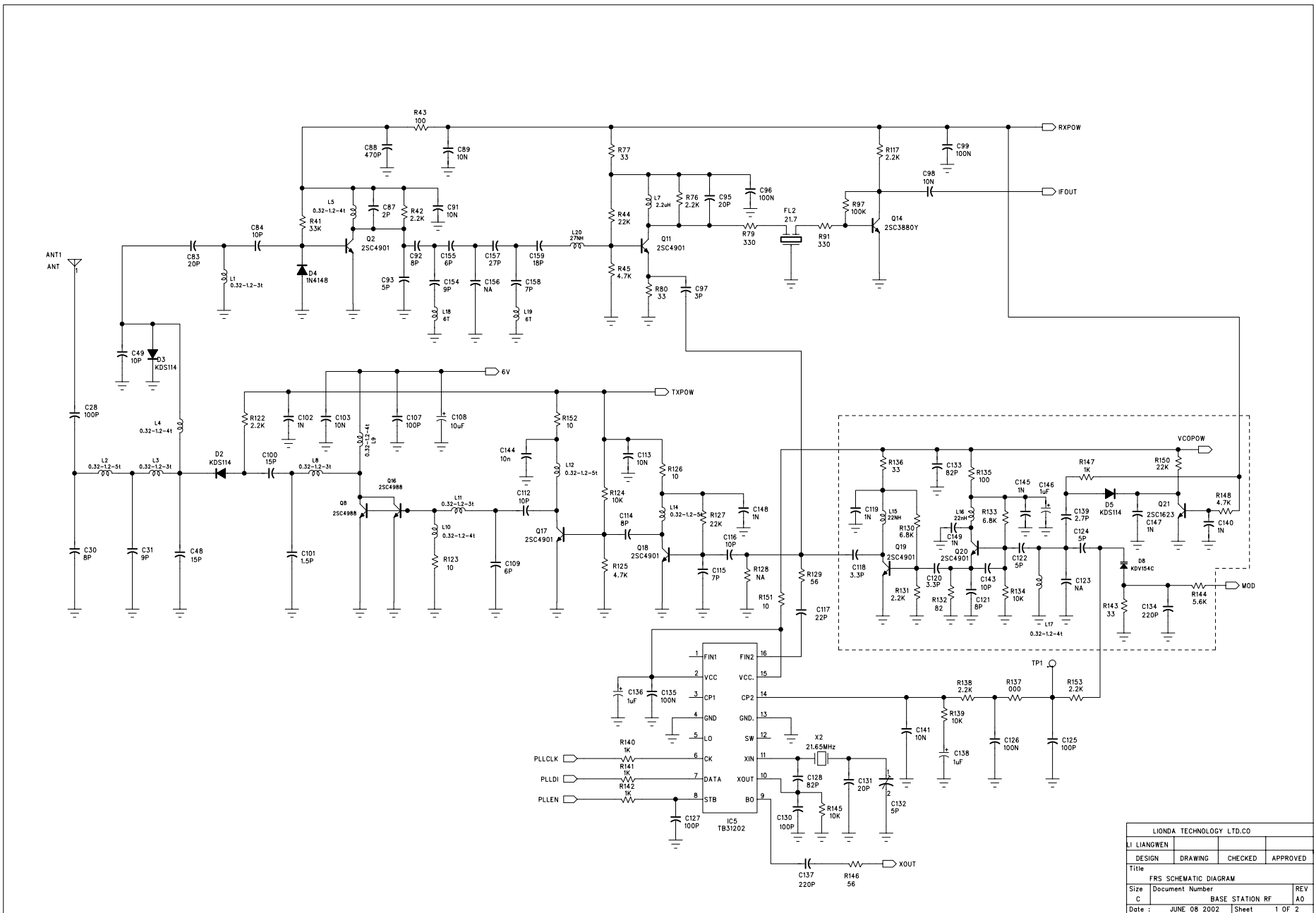


LIONDA TECHNOLOGY LTD.CO			
LI LIANGWEN	DESIGN	CHECKED	APPROVED
Title: FRS SCHEMATIC DIAGRAM			
Size: C	Document Number: BASE STATION	REV: PD	
Date: JUNE 08 2002	Sheet: 1	OF: 2	



LIONDA TECHNOLOGY LTD.CO			
LI LIANGWEN			
DESIGN	DRAWING	CHECKED	APPROVED
Title			
FRS SCHEMATIC DIAGRAM			
Size	Document Number		REV
C	BASE STATION RF		AO
Date :	JUNE 08 2002	Sheet	1 OF 2

