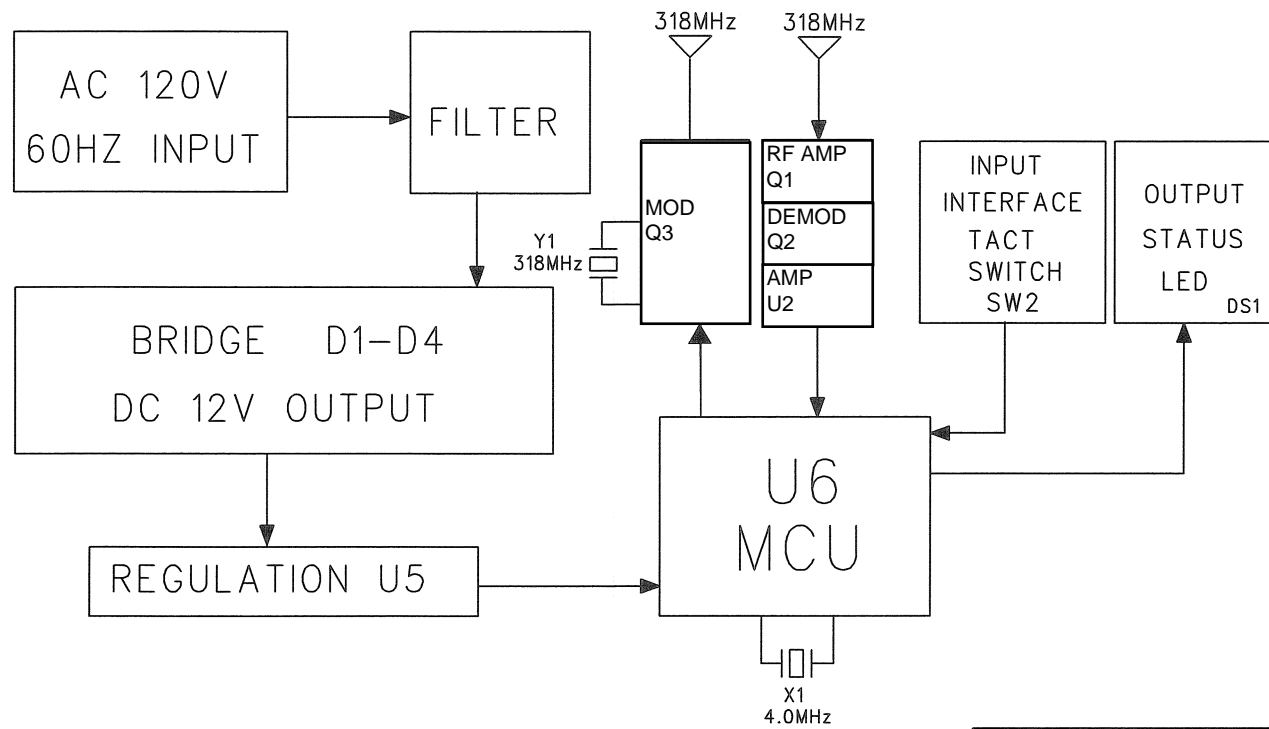


REVISIONS				
LET	REV	DESCRIPTION	DATE	APPD



CPL SKYLINK GROUP
CAPITAL PROSPECT LTD.

Title		
SCHEM,		
Size	Document Number	REV
A4	RP-J01 DIAGRAM	
Date:	Sheet	

PCB 1
PCB