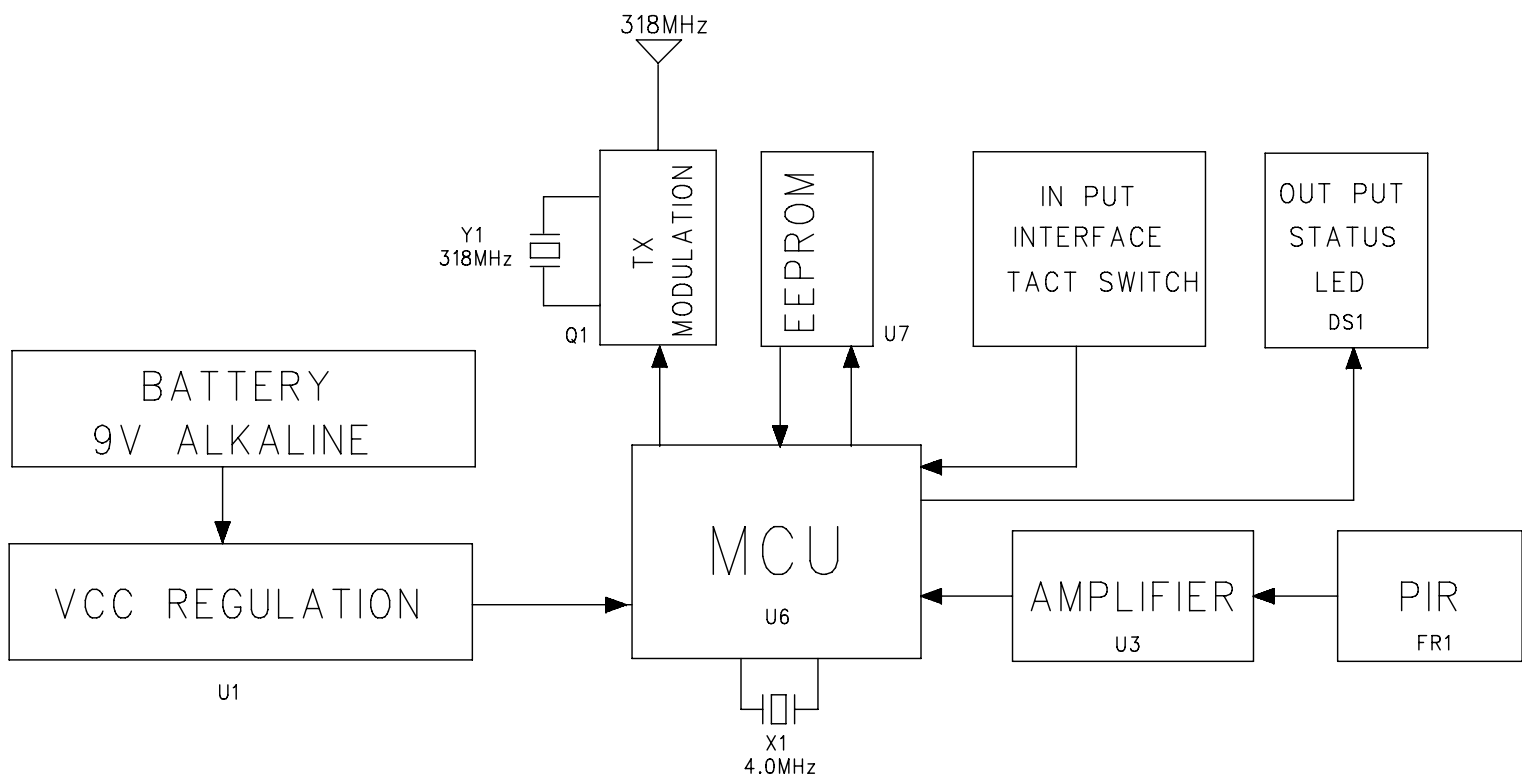


REVISIONS				
LET	REV	DESCRIPTION	DATE	APPD



CPL		SKYLINK GROUP	
		CAPITAL PROSPECT LTD.	
Title SCHEM,			
Size A4	Document Number PS-J01 DIAGRAM	REV	
Date:	Sheet		

PCB 1
PCB