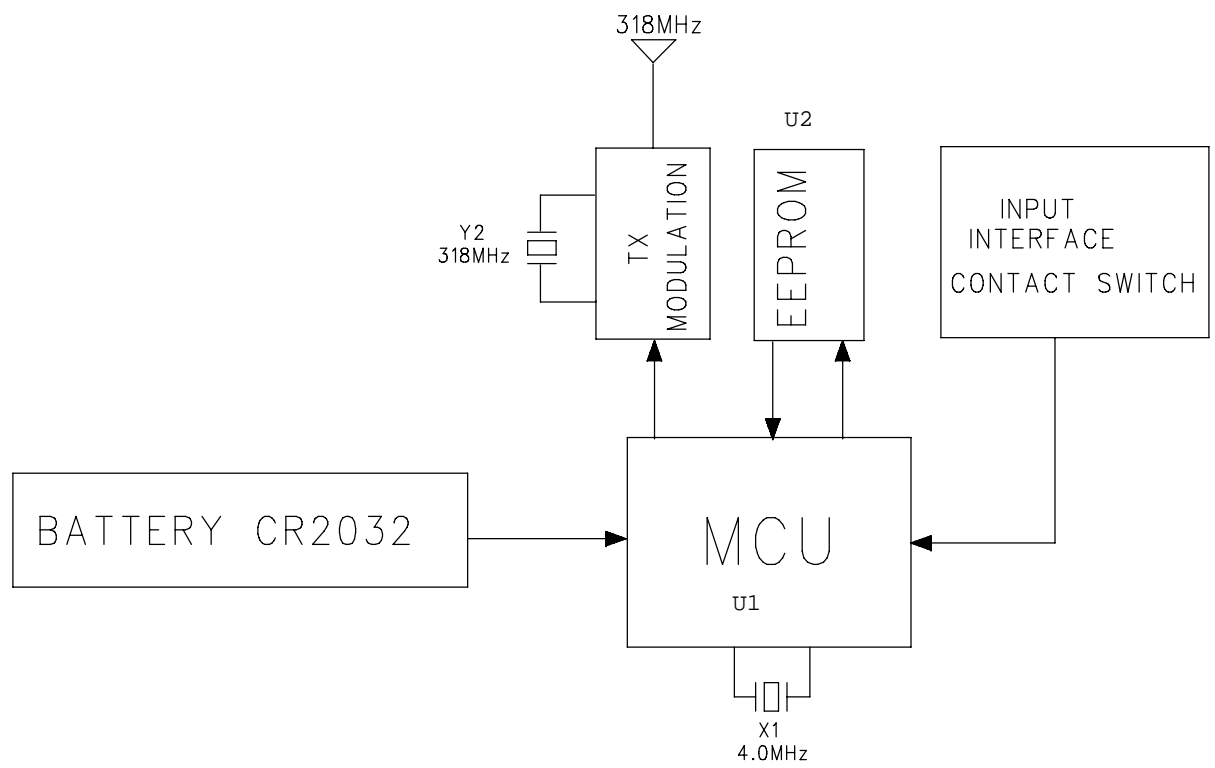


REVISIONS				
LET	REV	DESCRIPTION	DATE	APPD



CPL SKYLINK GROUP CAPITAL PROSPECT LTD.			
Title SCHEM,			
Size A4	Document Number FS-J01 DIAGRAM	REV	
Date:		Sheet	

PCB 1
PCB