



Manufactured by:

HARMAN
AUTOMOTIVE

MODEL: EXTENSION BOX

Input: 9-16VDC;1A MAX @9VDC
FCC ID QNG-BE2729 IC: 6434A-BE2729

THIS DEVICE COMPLIES WITH PART 15 OF THE FCC RULES. OPERATION IS SUBJECT TO THE FOLLOWING TWO CONDITIONS:
(1) THIS DEVICE MAY NOT CAUSE HARMFUL INTERFERENCE, AND
(2) THIS DEVICE MUST ACCEPT ANY INTERFERENCE RECEIVED, INCLUDING INTERFERENCE THAT MAY CAUSE UNDESIREED OPERATION.

  
2266261

 gracenote.

  XXXWWXXXXXXXXX
 D XX-XXXX-XXX

4 Color Process

C	Y	M	K
---	---	---	---

Customer:
Harman/Becker

P/N:
2266261 Rev. A

PO:

Date:
06/15/11

digital imaging
silkscreen
printing

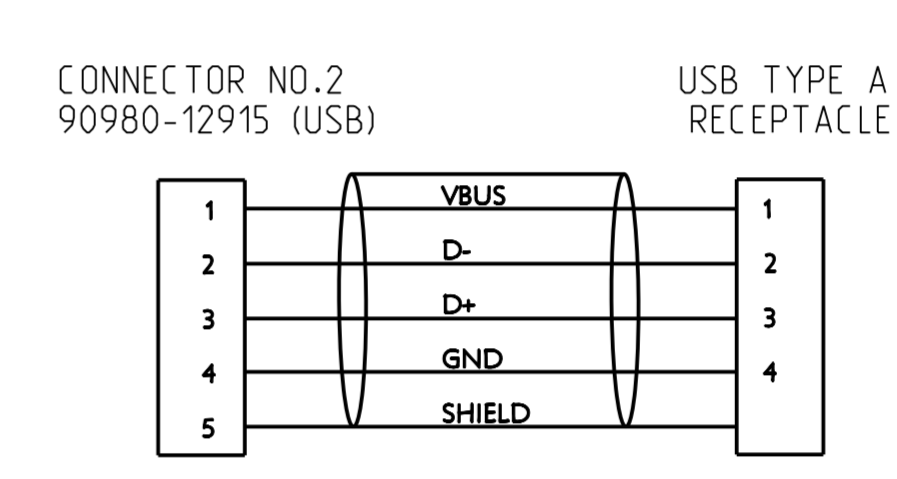
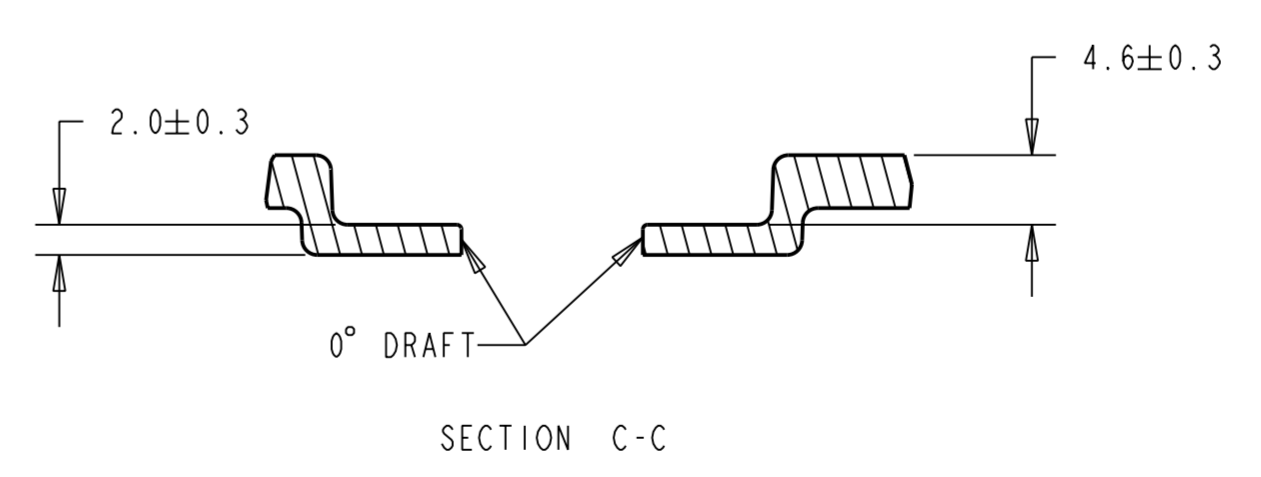
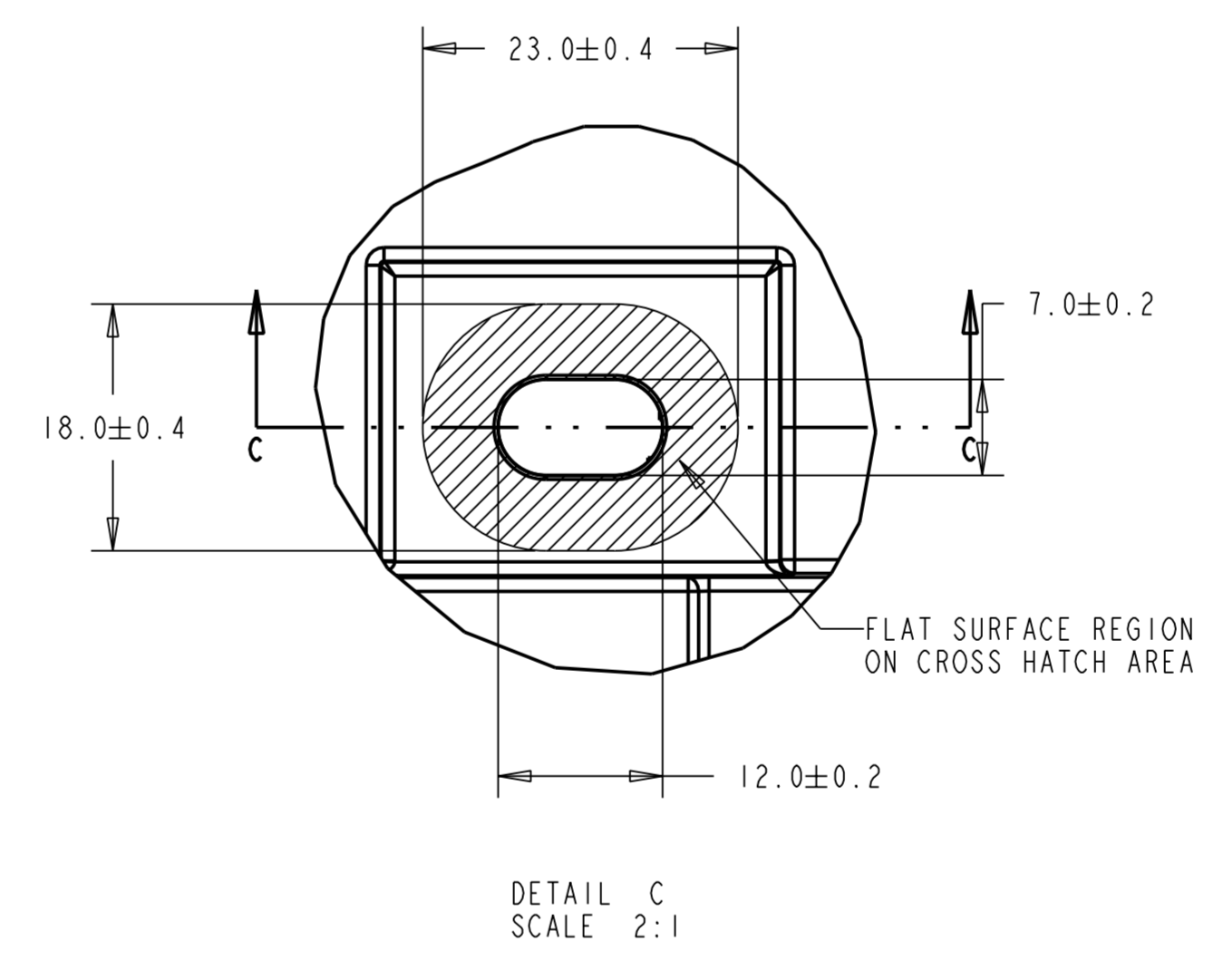
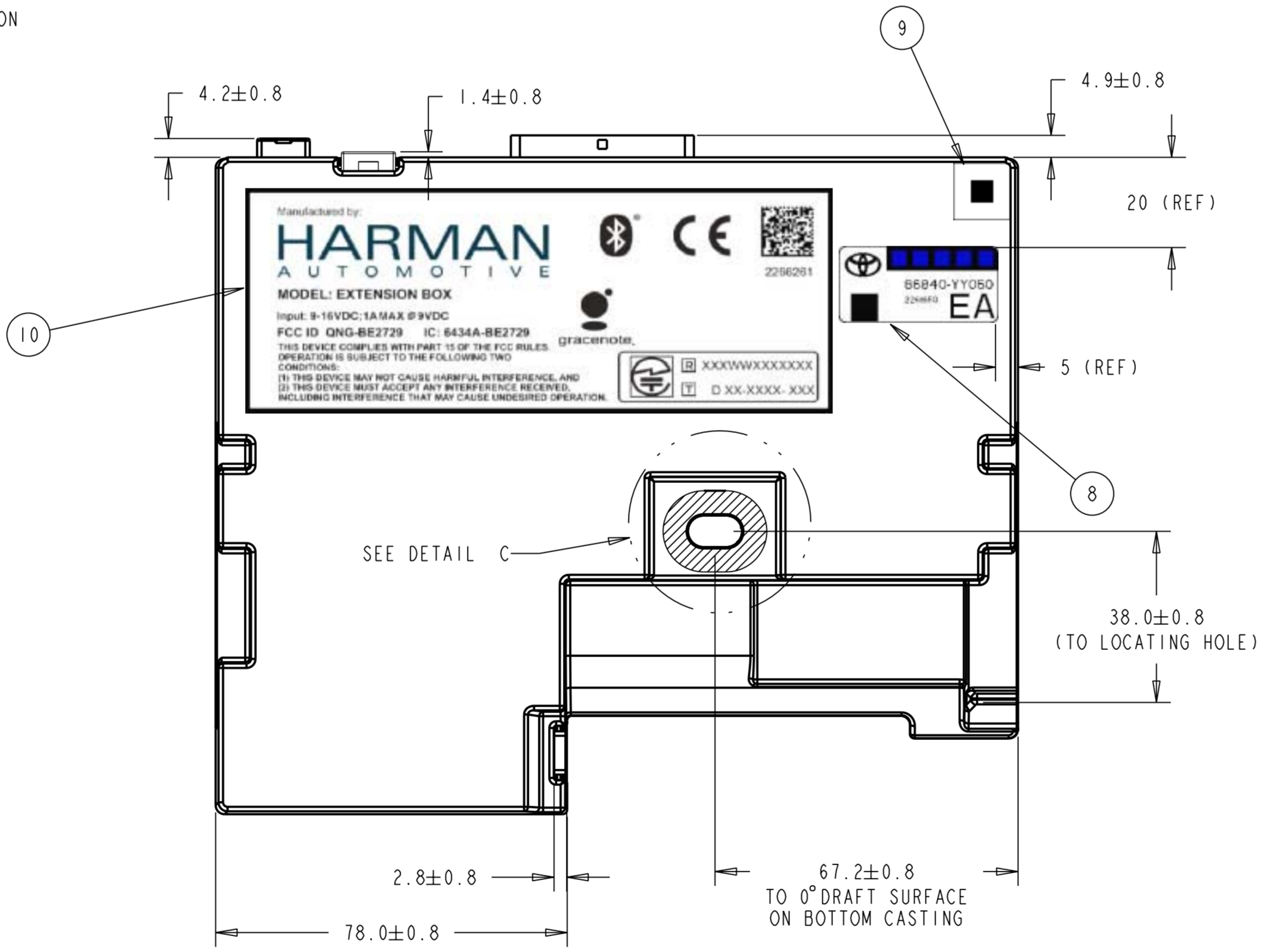
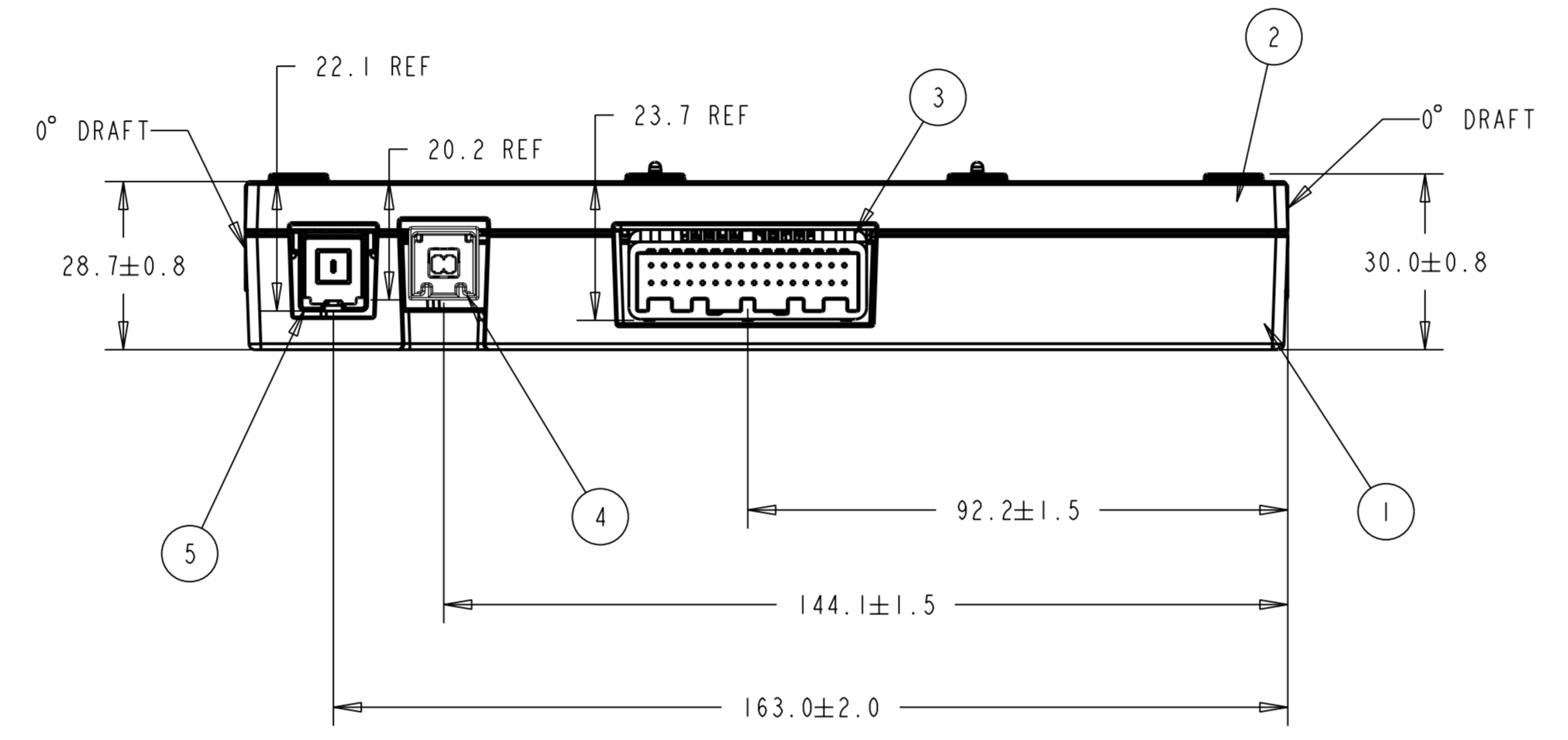
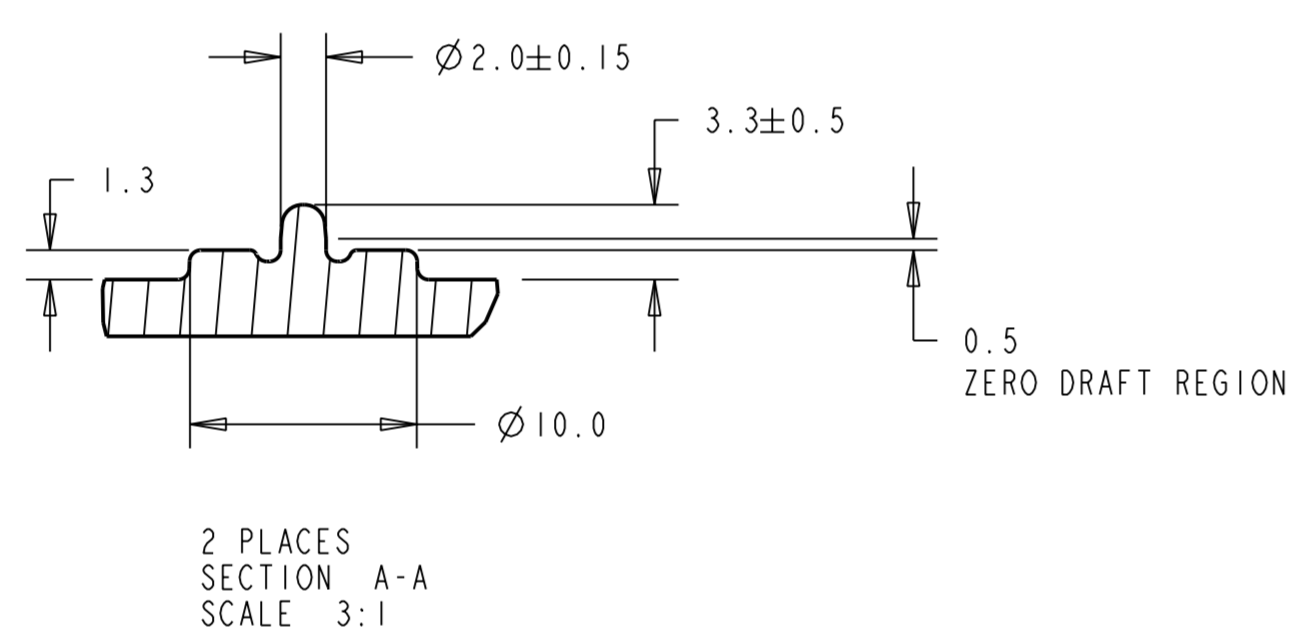
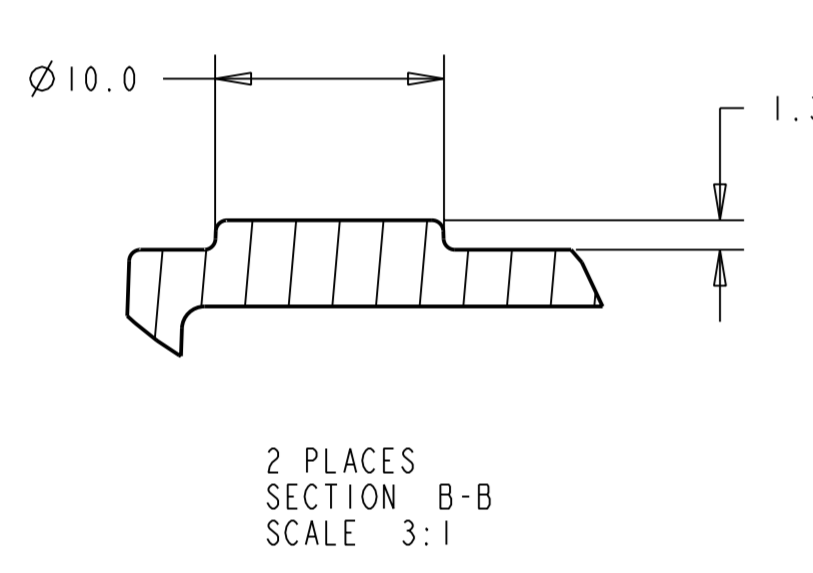
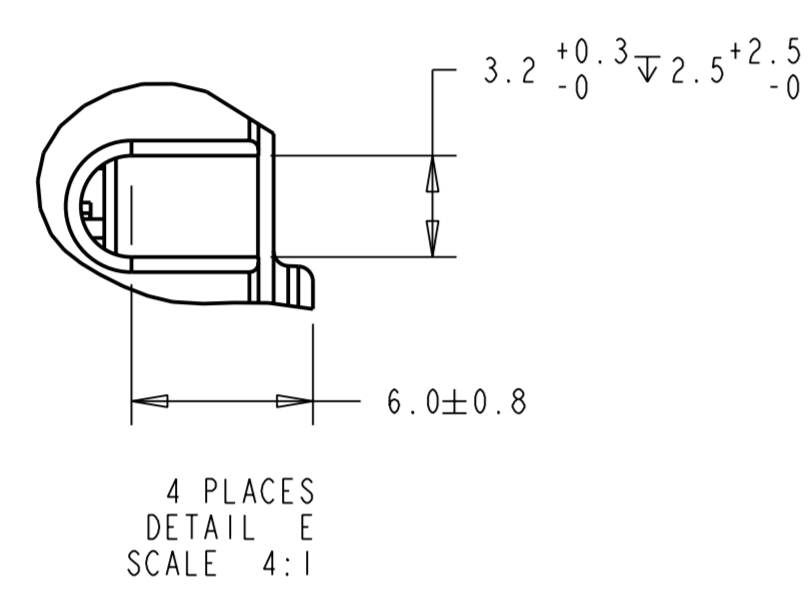
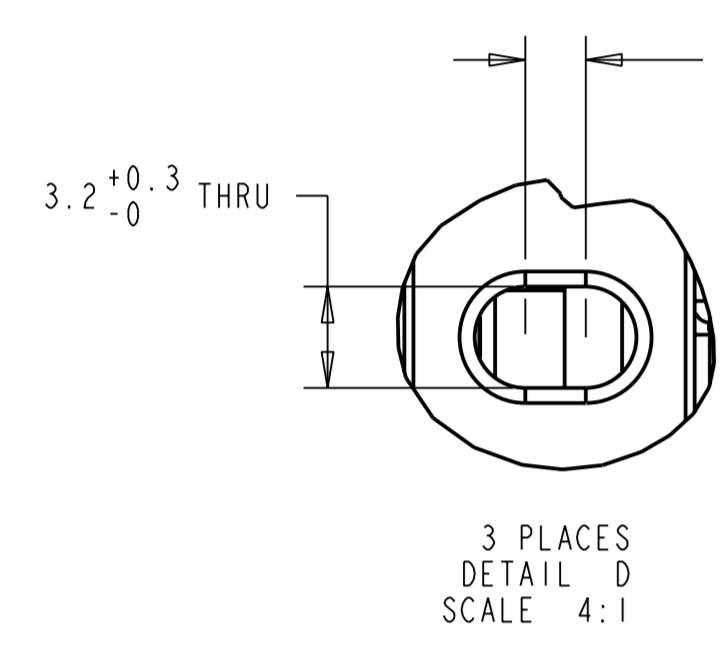
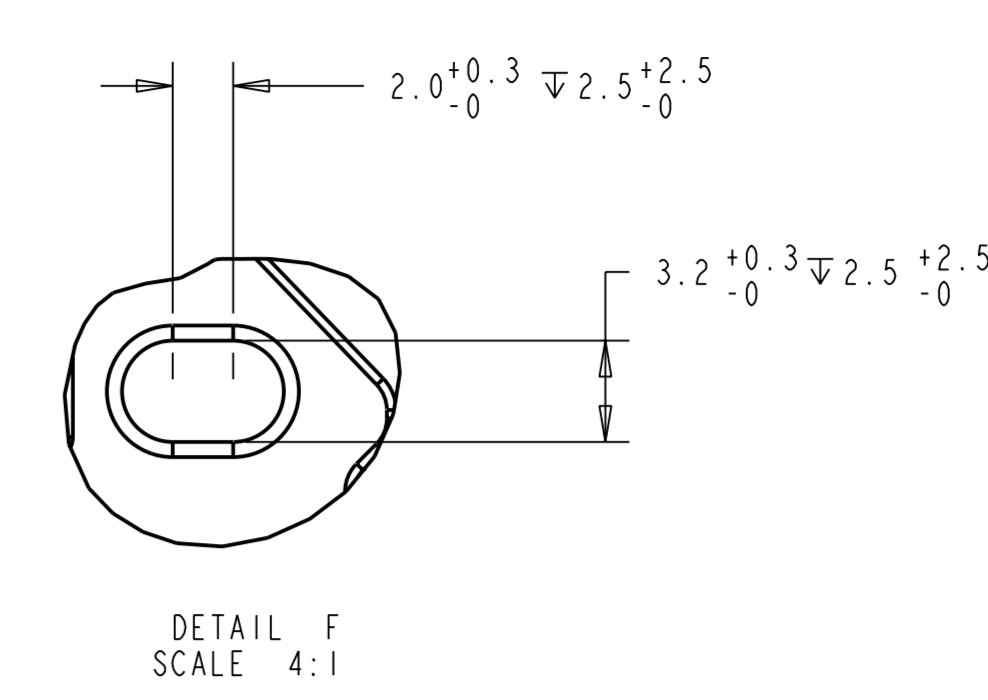
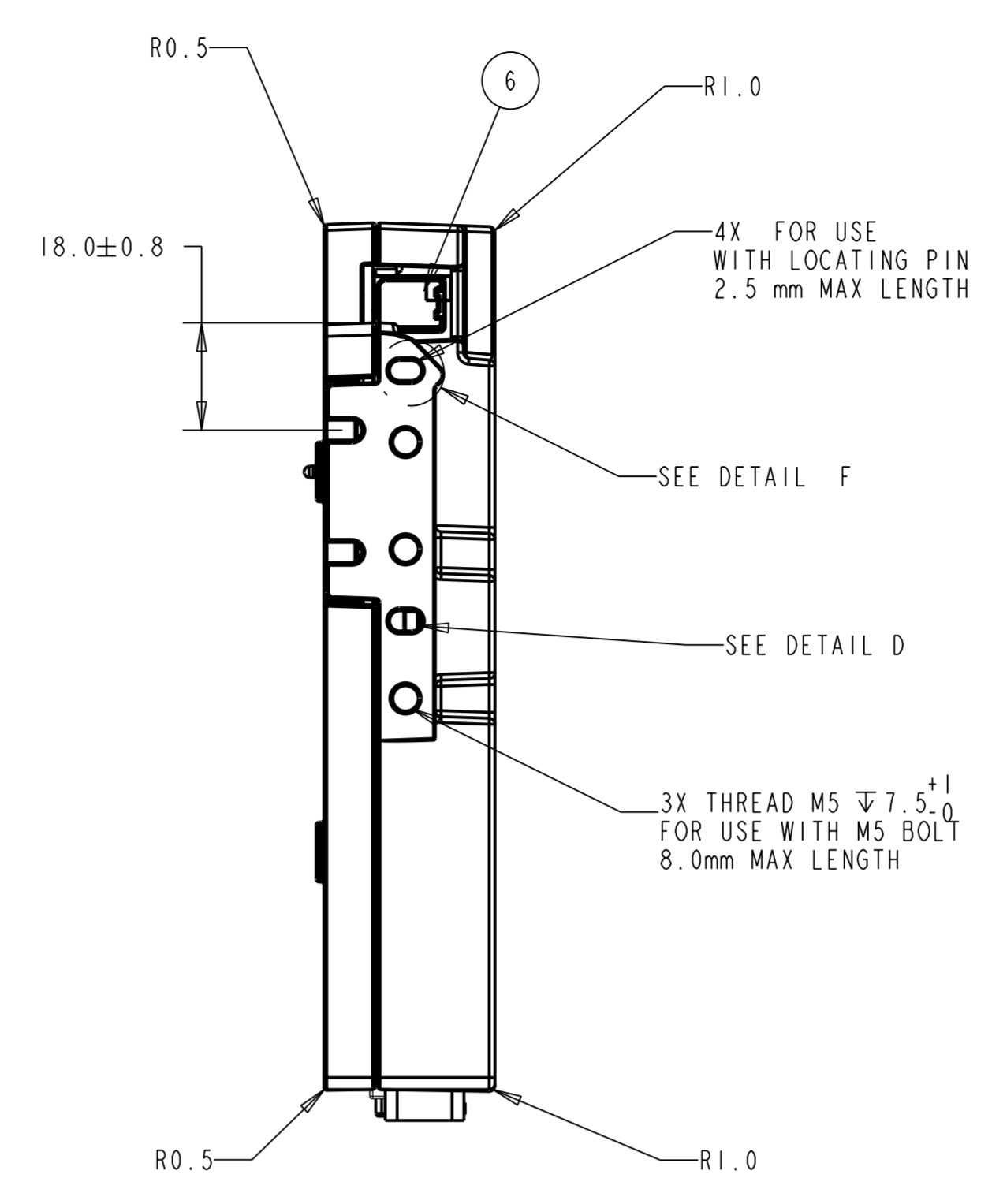
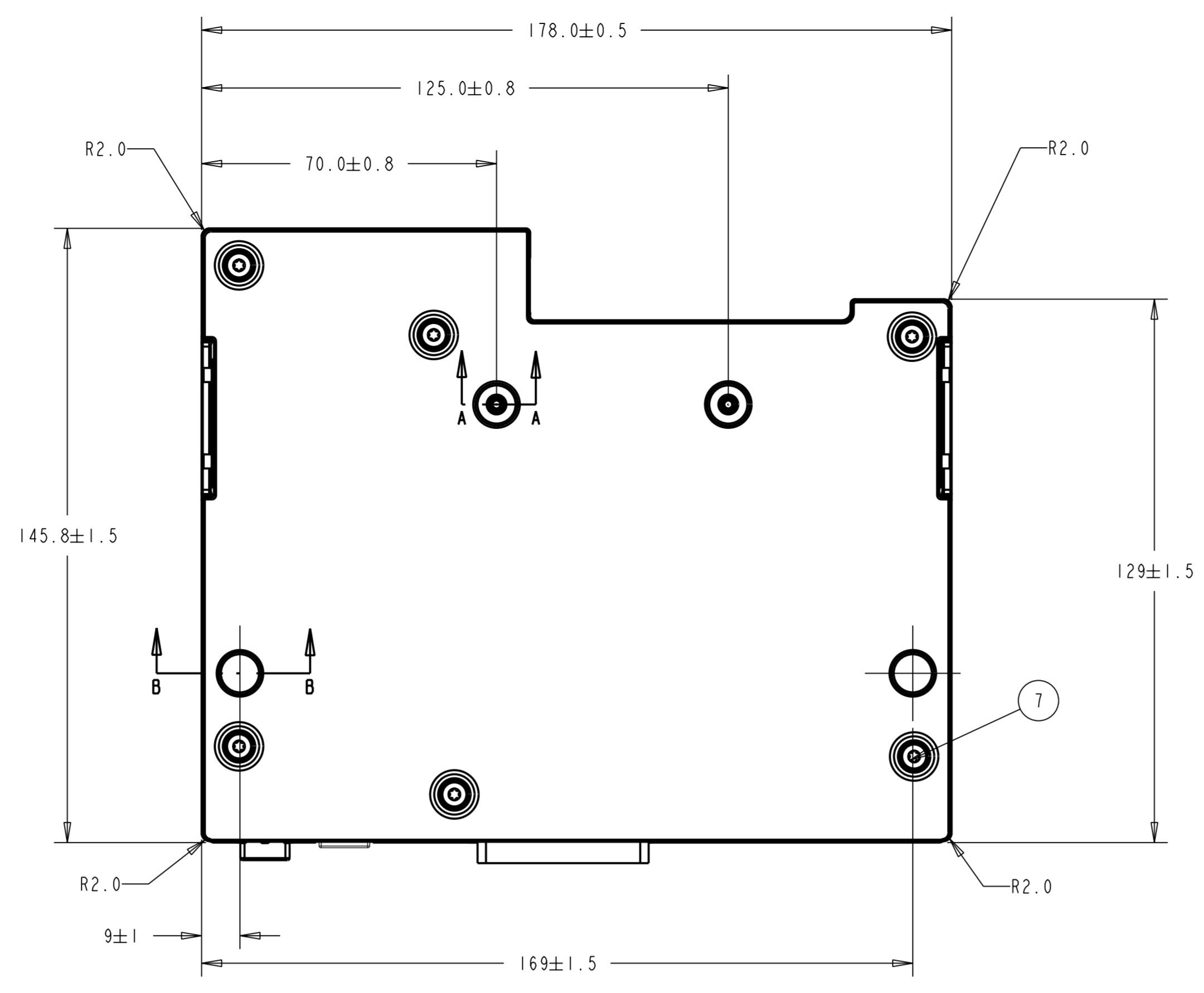
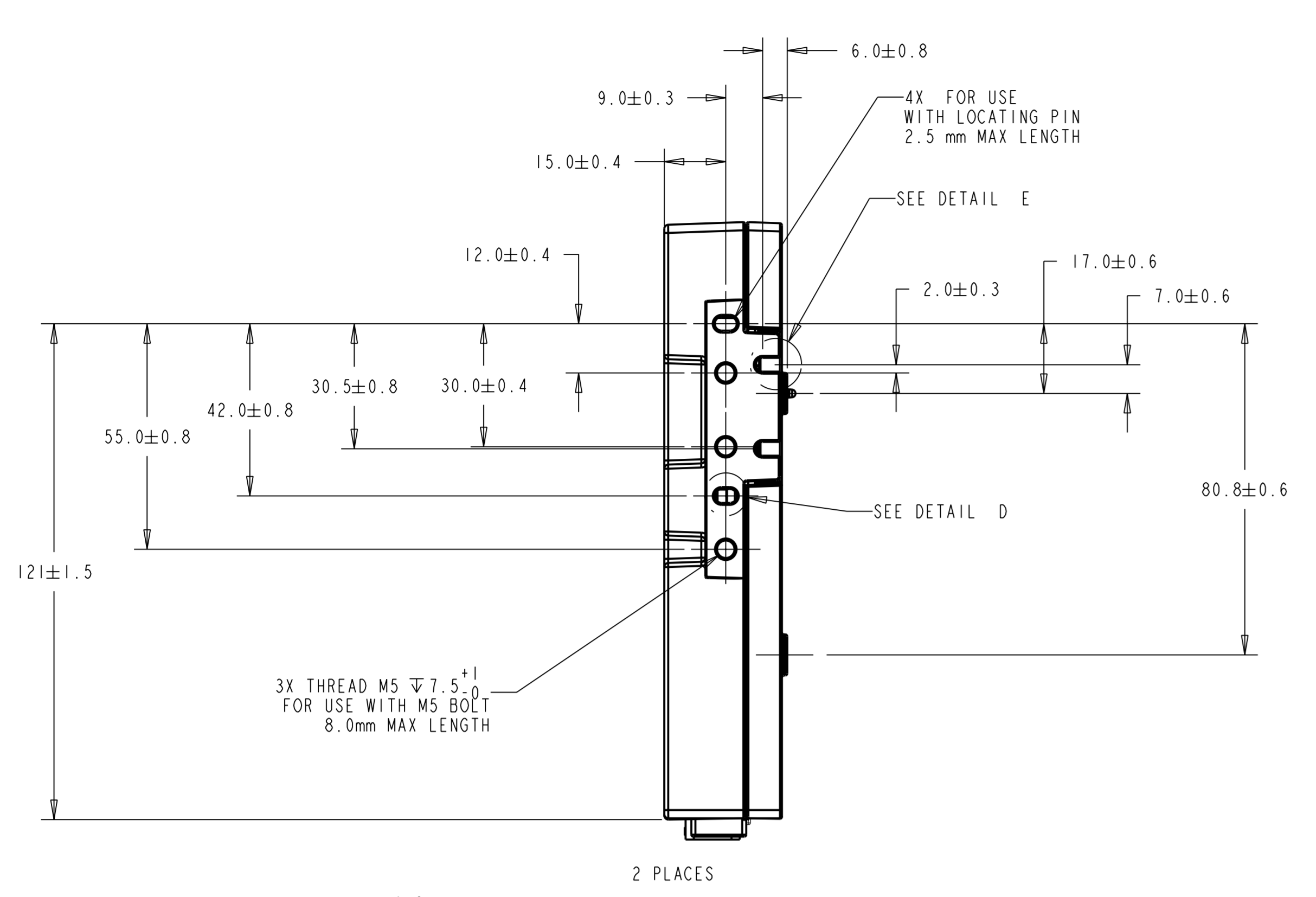
Excellence
precision engineered graphics

LABEL SPECIFICATIONS:

- Material:** .002 P/S White Polyester
- Adhesive:** Permanent Acrylic
- Size:** 5.1181" x 1.9685" (130.0mm x 50.0mm) Radius Corners
- Format:** Furnished in strip form, 5 Labels per strip.

Artist: Mitch Frater Acct. Mngnt Fred Job#: -----

Signed for approval: _____ Date: _____



DA SIDE	EXT BOX SIDE	CONNECTOR NO.1 90980-12632
B+	16	B+
GND	32	GND
ACC	11	ACC
SPD	18	SPD
B	6	B
G	23	G
R	7	R
HSYNC	22	HSYNC
VSYNC	5	VSYNC
VSHLD	21	VSHLD
VSHLD	29	VSHLD
VOL+	31	VOL+
VOL-	30	VOL-
AGND	20	AGND
MSHLD	24	MSHLD
MIC+	9	MIC+
MIC-	25	MIC-
L+	15	L+
L-	14	L-
R+	13	R+
R-	12	R-
CSHLD	28	CSHLD
MUTE	1	MUTE
AVC+	2	AVC+
AVC-	3	AVC-

ECI No.	REVISION RECORD	NEW ADOPTION	MASS	MASS TOL
			690g	±MB
TOYOTA PART NAME		COMPUTER ASSY, NAVIGATION	TOYOTA PART No. 86840-YY050	
APPROVED	CHECKED			AO
STAFF CODE: TOYOTA MOTOR ENG. & MFG. N.A., INC SIZE:				

PART NAME COMPUTER ASSY, NAVIGATION
PART NUMBER 86840-YY050
 PRELIMINARY COPY
 FINAL COPY
CORPORATE ACCESSORY DEPARTMENT
 DRAWING REVIEW and APPROVAL for
 APPROVAL TMC-CADD

YEAR (S) MODEL (S)
TOYOTA MOTOR SALES, U.S.A., INC.
 CORPORATE ACCESSORY DEPARTMENT
 1901 S. Western Ave., Torrance, CA, 90501
 THEIR PART SHALL CONFORM TO SUB-PARAGRAPH "SUBSTANCE PROHIBITION AND RESTRICTION" IN TS20010
ALL DIMENSIONS ARE IN: MILLIMETERS
 MILLIMETERS (INCHES)
 TOLERANCES UNLESS OTHERWISE SPECIFIED:
 L: DIMEN =
 H: DIMEN =
 AN: DIMEN =
 SCALE: 1:1
 SHEET: 1 OF 1
 DATE: 12/07/10
 DRAWN BY: []
 CHECKED: []
 APPROVED: []
 PART NAME: EXT MOD NA
 PART NO.: 86840YY050
 REF: A

CUSTOMER PRINT SHEET: 1 OF 1 SCALE: 1:1
 INFORMATION ON THIS DRAWING IS CONFIDENTIAL AND PROPRIETARY AND MAY NOT BE DISCLOSED TO OTHERS OR REPRODUCED IN ANY WAY WITHOUT THE WRITTEN CONSENT OF HARMAN-BECKER, INC., A DIVISION OF HARMAN INTERNATIONAL.
EID EXT MOD NA
 DIMENSIONS IN MILLIMETERS UNLESS OTHERWISE SPECIFIED:
 X.X : ±0.5 X.XX : ±0.25
 X.XXX : ±0.130 ANGLES : ±1.0
86840YY050 REV. A

CONNECTOR 1 90980-12632 COLOR: NATURAL

1	MUTE	17	-
2	AVC+	18	SPD
3	AVC-	19	-
4	-	20	AGND
5	VSYNC	21	VSHLD
6	B	22	HSYNC
7	R	23	G
8	-	24	MISHLD
9	MIC+	25	MIC-
10	-	26	-
11	ACC	27	-
12	R-	28	CSHLD
13	R+	29	VSHLD
14	L-	30	VOL-
15	L+	31	VOL+
16	B+	32	GND

CONNECTOR 2 90980-50014 (GPS) COLOR: GREY

1	SIGNAL
2	GND
3	D-
4	GND

CONNECTOR 3 90980-50010 (GPS) COLOR: GREY

1	SIGNAL
2	GND

CONNECTOR 4 86145-00010 (BLUE TOOTH) COLOR: GREY

1	SIGNAL
2	GND

ELECTRICAL SPECIFICATIONS

POWER SUPPLY	9 - 16 Vdc
SUPPLY CURRENT	1A MAX @ 9 VDC
BACKUP CURRENT	0.2 mA MAX @ 16VDC
SUPPLY CURRENT (ANTENNA SPLITTER)	90 mA MAX @ 16 VDC
USB PORT CURRENT	500 mA MAX @ 5 VDC
MICROPHONE INPUT IMPEDANCE	30K OHMS TYP.
AUDIO OUTPUT IMPEDANCE	200 OHMS TYP.
FULL-SCALE AUDIO LEVEL	2Vrms (0 dB, 1 KHz, DIFFERENTIAL)
VIDEO OUTPUT LEVEL (R, G, B)	700 +/- 100 mV (p-p)
VIDEO SYNC LEVEL (H, V)	1.0 +/- 0.1 V (p-p)
VIDEO VERTICAL SYNC FREQUENCY	60.068 +/- 0.006 Hz
VIDEO HORIZONTAL SYNC FREQUENCY	15.736 KHz - 15.739 KHz
GPS ANTENNA SUPPLY	5.0 +/- 0.3V, 10-30 mA

NO.	NAME	PART NUMBER	QTY.	MATERIAL	NOTE
10	CERTIFICATION LABEL	- - -	1	PLASTIC	WHITE
9	HARMAN LABEL	- - -	1	PLASTIC	WHITE
8	CUSTOMER LABEL	- - -	1	PLASTIC	WHITE
7	SCREW	- - -	6	STEEL	ZINC
6	CONNECTOR4	86145-00010	1	PLASTIC	GREY
5	CONNECTOR3	90980-50014	1	PLASTIC	GREY
4	CONNECTOR2	90980-12915	1	PLASTIC	GREY
3	CONNECTOR1	90980-12632	1	PLASTIC	NATURAL
2	TOP COVER	- - -	1	ALUMINUM	- - -
1	BOTTOM CHASSIS	- - -	1	ALUMINUM	- - -

NOTE:
 1. THIS PART SHALL CONFORM TO SUB-PARAGRAPH "SUBSTANCE PROHIBITION AND RESTRICTION" IN TS20010
 2. THIS PART SHALL CONFORM TO TSC 7544G
 3. USE SW VERSION 1.7.0

