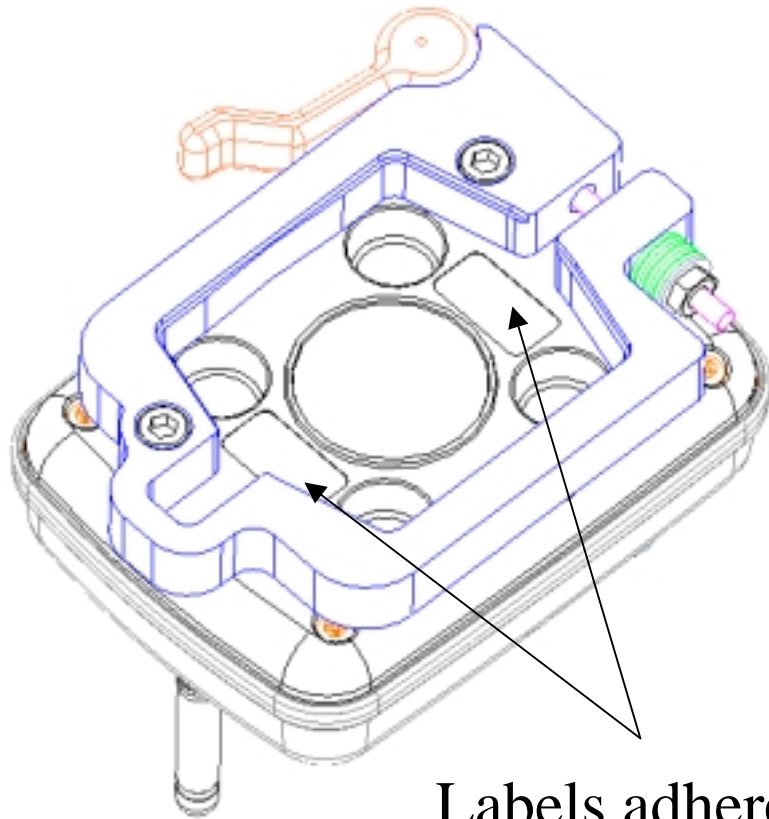
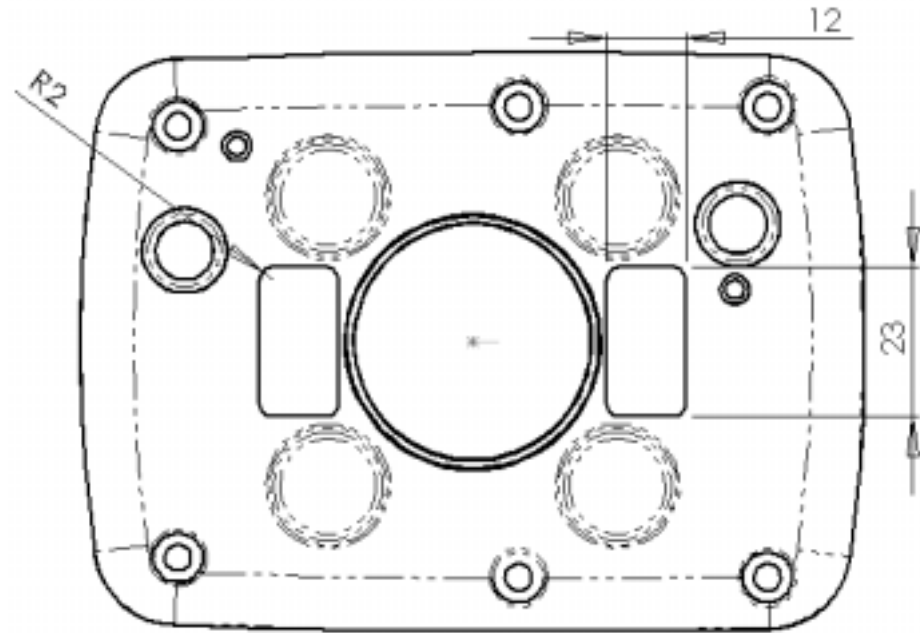


Tank Unit Label Size And Location



Label Dimensions



Labels adhered to bottom of case

FCC ID: QNA-SL2000 This device complies with Part 15 of the FCC Rules. Operation is subject to the following two conditions:
(1) This device may not cause harmful interference and (2) This device must accept any interference received, including interference that may cause undesired operation.

FLUENT
SmartLink System Tank Unit - SL2000
Serial Number:xxxxxxx
Software Build Version:xxxxxxx



FCC ID: QNA-SL2000 This device complies with Part 15 of the FCC Rules. Operation is subject to the following two conditions:

(1) This device may not cause harmful interference and (2) This device must accept any interference received, including interference that may cause undesired operation