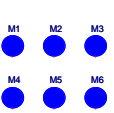
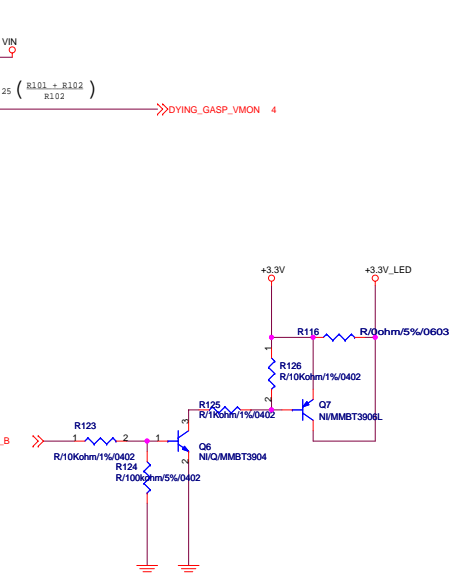
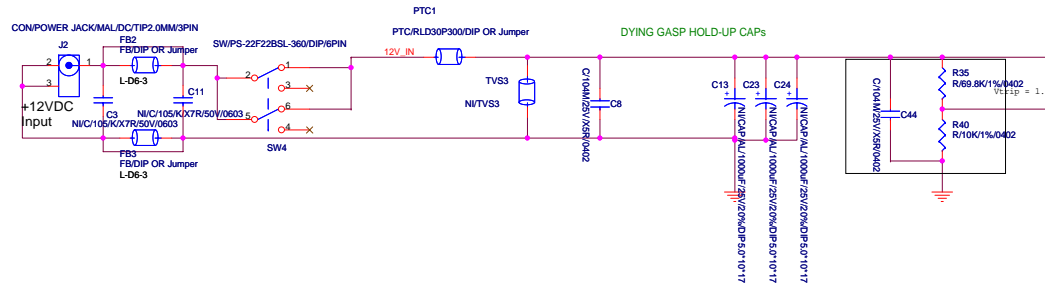
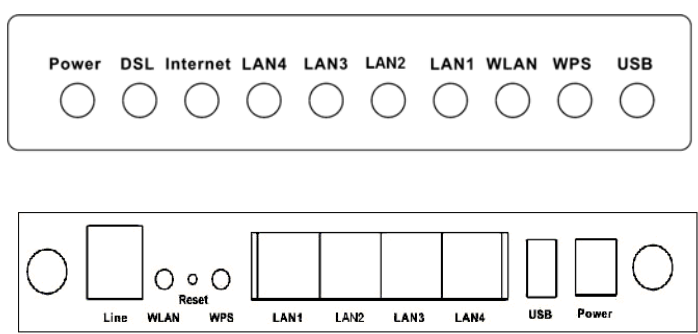
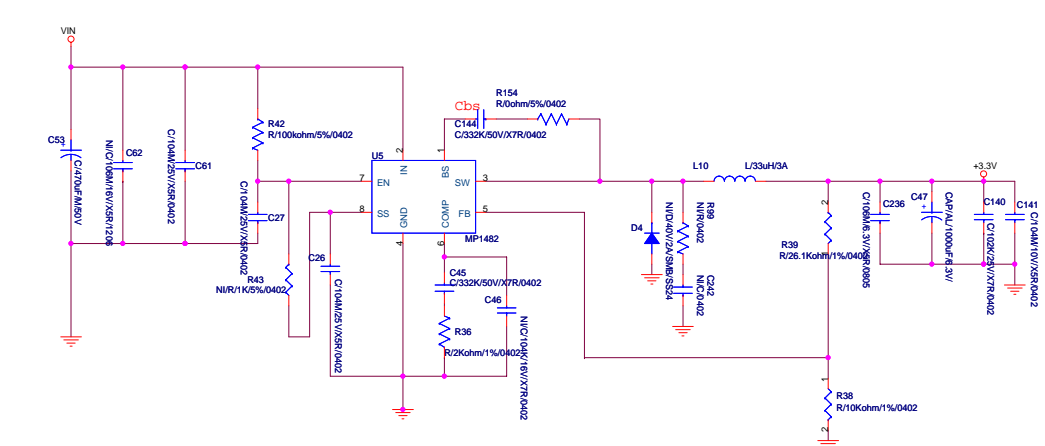
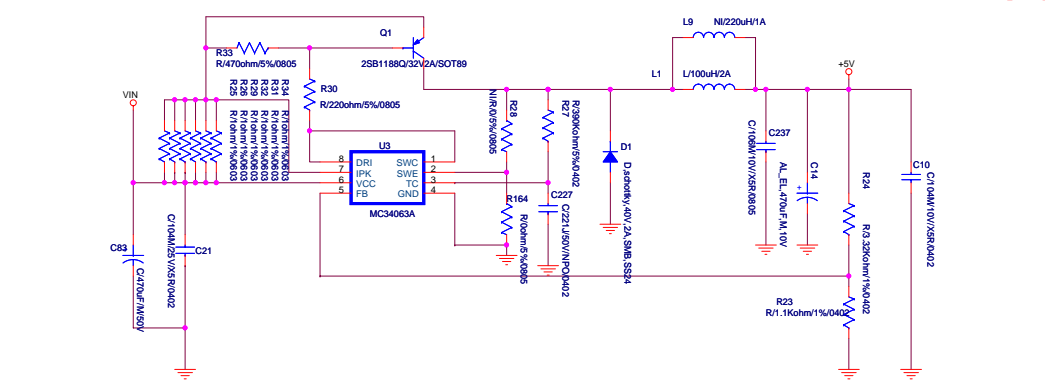
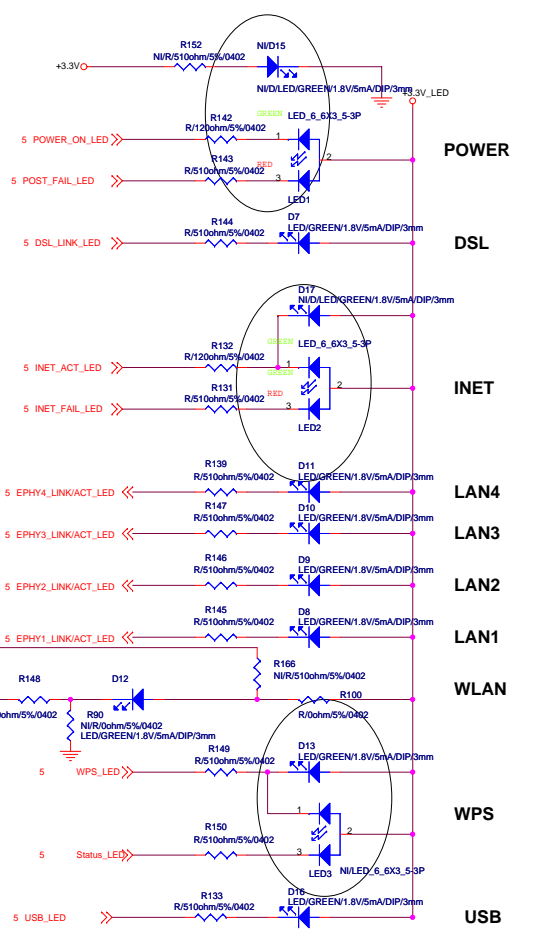
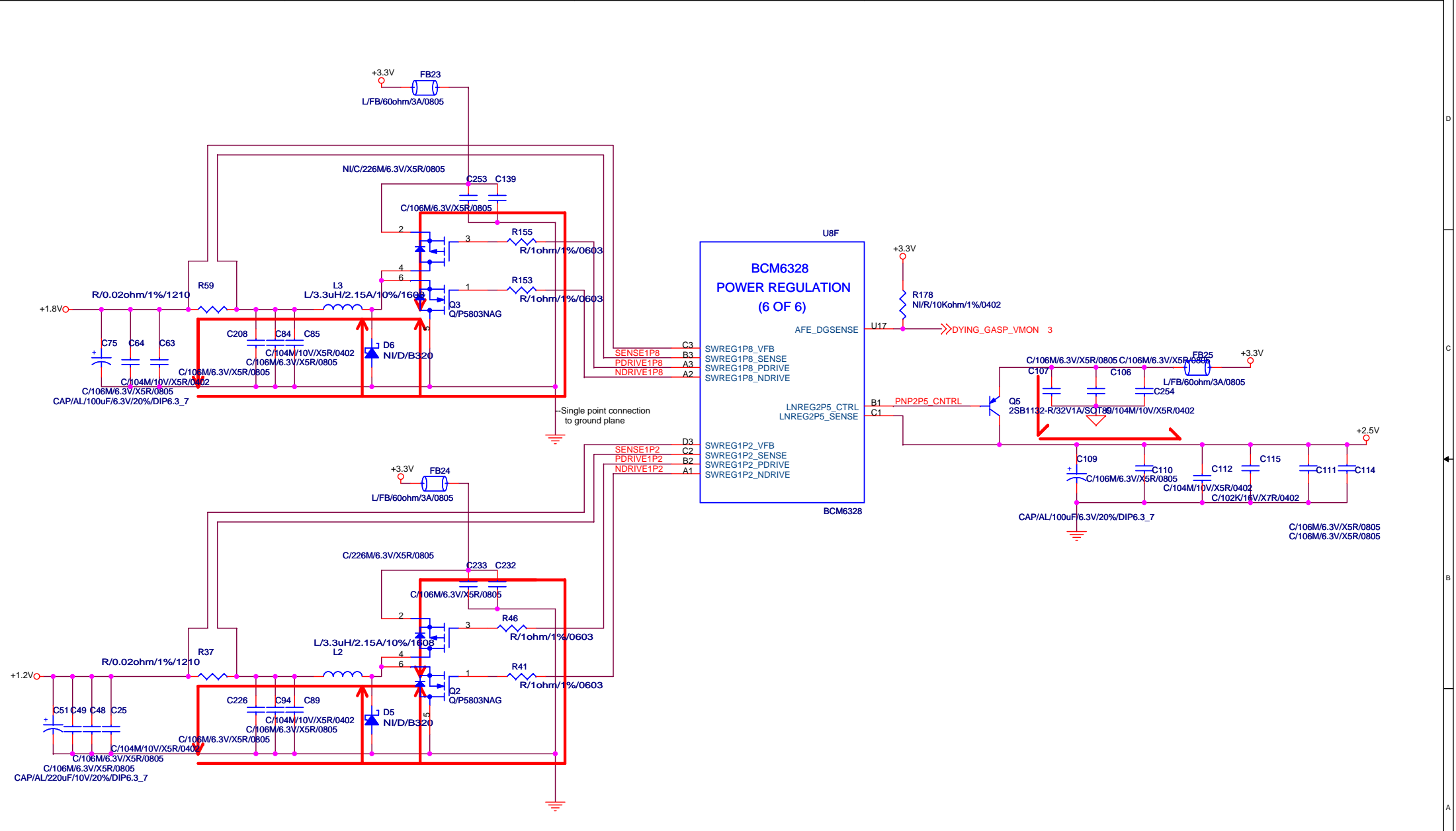


ADSL, 802.11N Wireless and Ethernet Gateway
Block Diagram

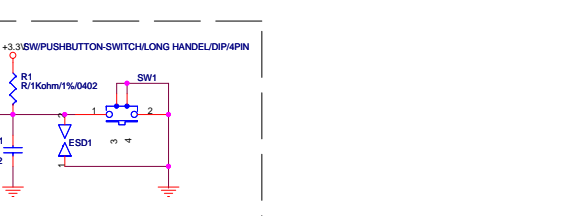
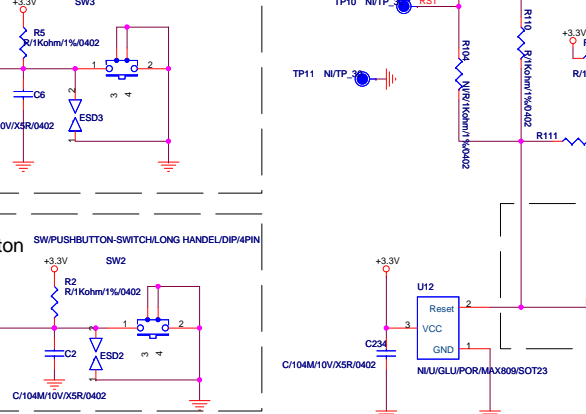
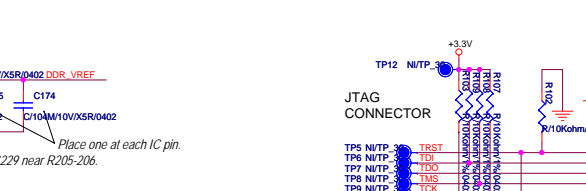
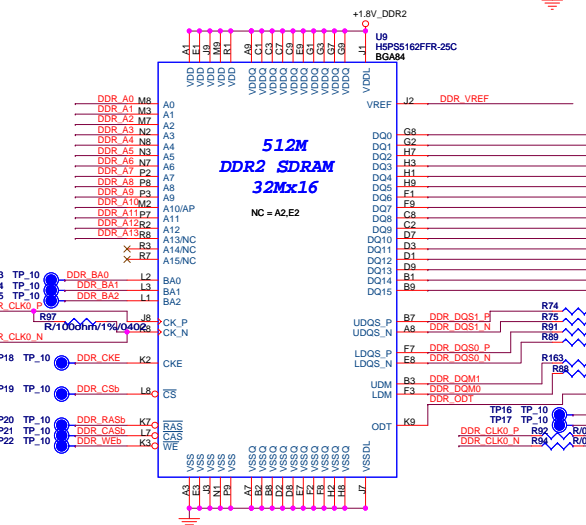
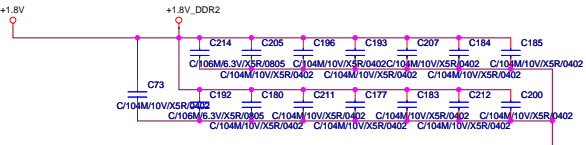


FRONT PANEL LEDs

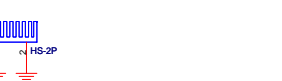
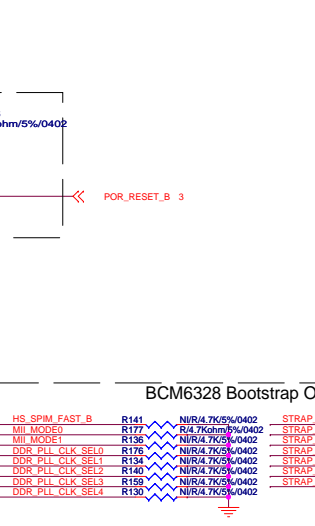
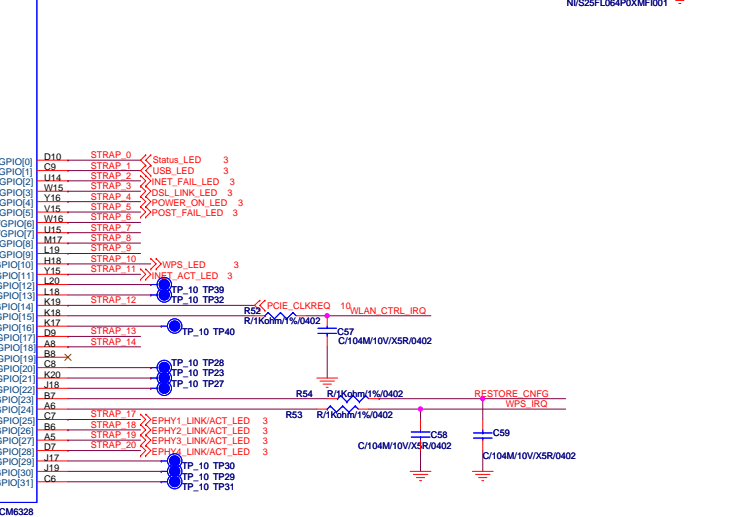
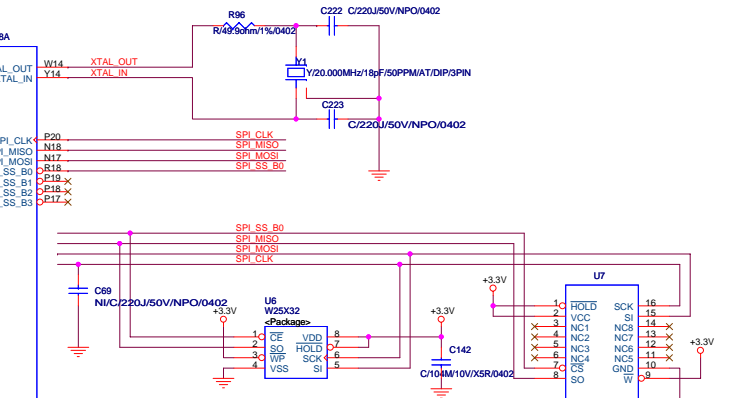
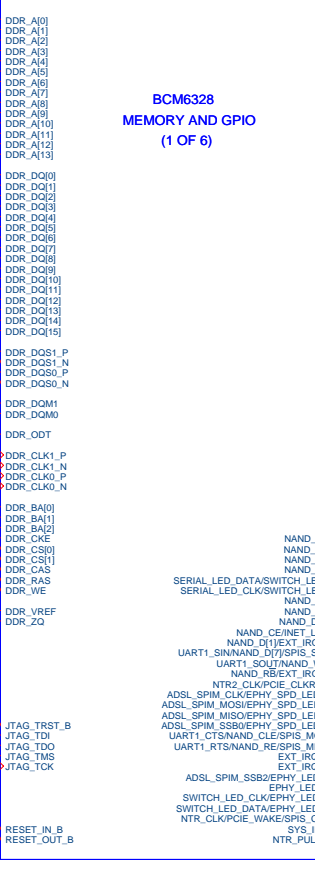




		GAN5.CZ56T-B			
		Size	Document Number	Design By:	Review By:
	<Doc>	GuoNan	<Reviewer>	0.1	
Date:	Monday, October 18, 2010	Sheet	4	of	11

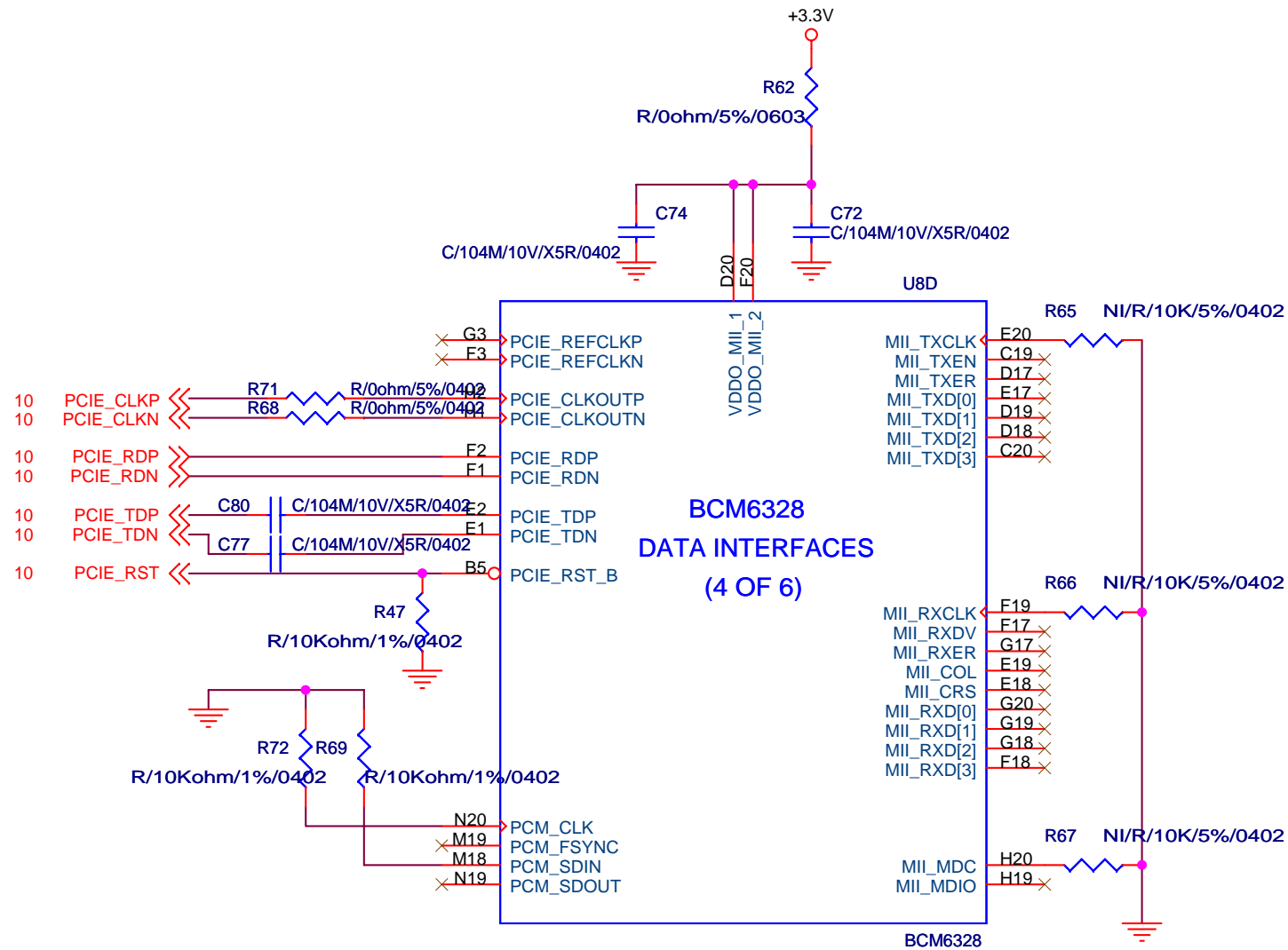


BCM6328 MEMORY AND GPIO (1 OF 6)



BCM6328 Bootstrap Options

STRAP 4 HS_SPI_FAST_B	R141	NIR/4.7K/5%/0402	STRAP 0 SPIS_DISABLE	R158	NIR/4.7K/5%/0402
STRAP 5 MII_MODE0	R177	R/4.7kOhm/5%/0402	STRAP 12 EXT_SWREG_CLK_EN	R70	NIR/4.7K/5%/0402
STRAP 6 MII_MODE1	R136	NIR/4.7K/5%/0402	STRAP 13 NAND_FLASH_B	R160	NIR/4.7K/5%/0402
STRAP 7 DDR_FLL_CLK_SEL0	R176	NIR/4.7K/5%/0402	STRAP 14 BOOT_FROM_SPI	R55	NIR/4.7K/5%/0402
STRAP 8 DDR_FLL_CLK_SEL1	R134	NIR/4.7K/5%/0402	STRAP 17 RESET_DELAY_CFG	R135	NIR/4.7K/5%/0402
STRAP 9 DDR_FLL_CLK_SEL2	R140	NIR/4.7K/5%/0402	STRAP 18 FLASH_ADDR24	R137	NIR/4.7K/5%/0402
STRAP 10 DDR_FLL_CLK_SEL3	R159	NIR/4.7K/5%/0402	STRAP 19 SYS_RST_DEBOUNCE	R138	NIR/4.7K/5%/0402
STRAP 11 DDR_FLL_CLK_SEL4	R130	NIR/4.7K/5%/0402			



GAN5.CZ56T-B

Size	Document Number	Design By:	Review By:	Rev
	<Doc>	GuoNan	<Reviewer>	0.1
Date:	Monday, October 18, 2010	Sheet	6 of 11	

