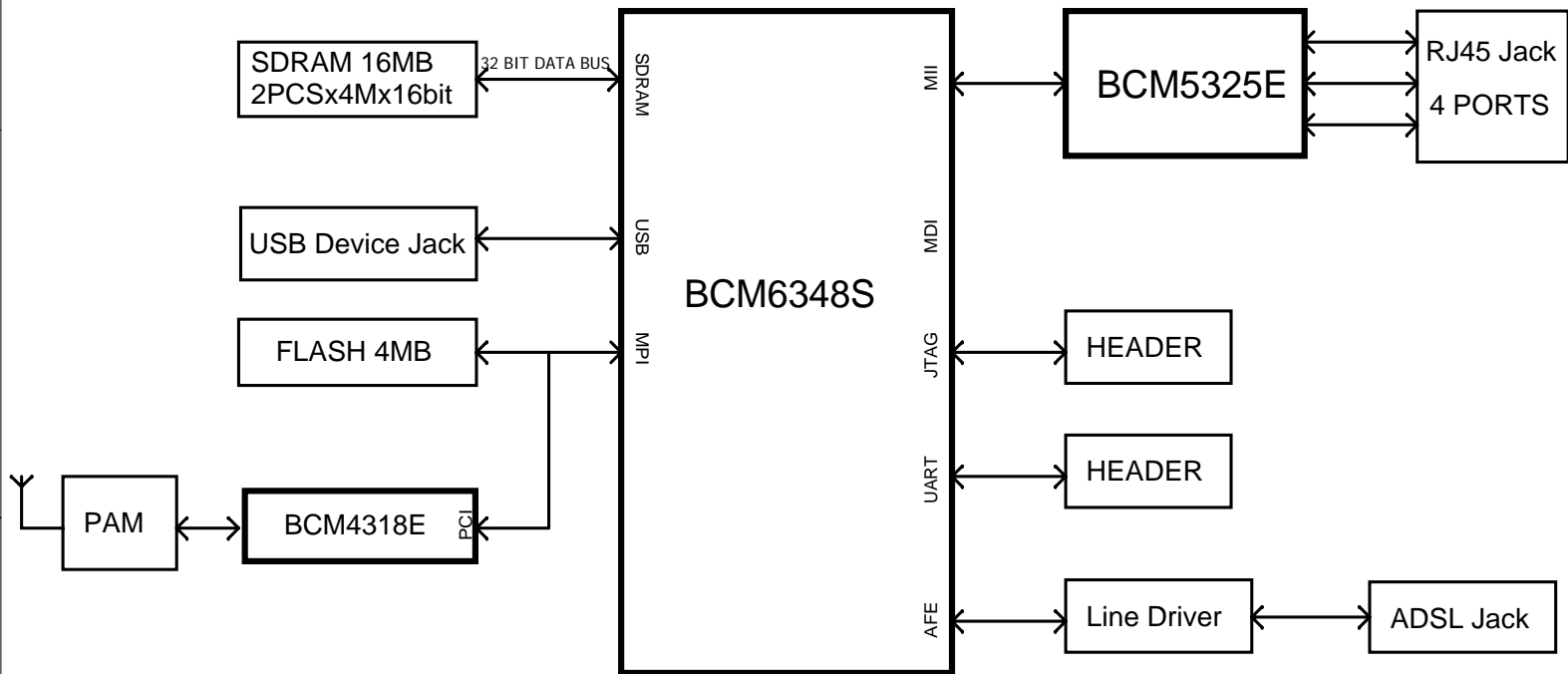
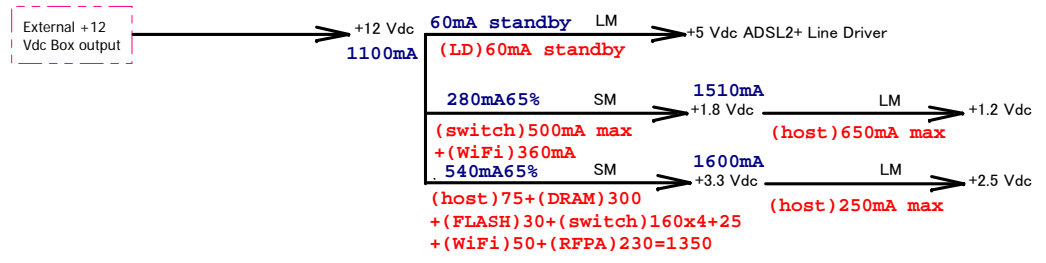
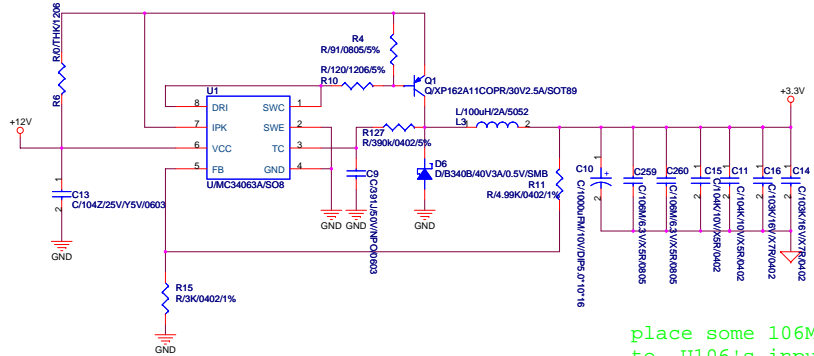
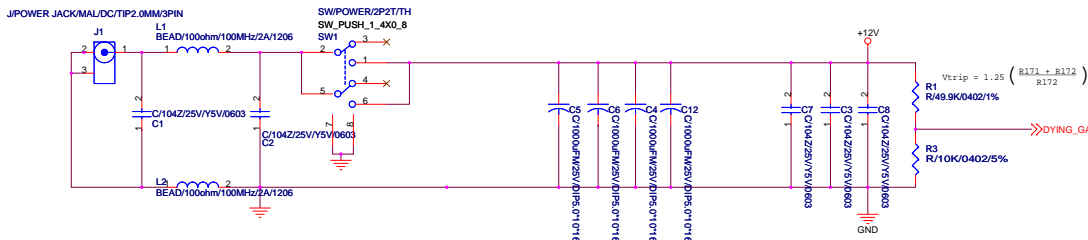


Gaw5.3Z33-5 Block Diagram

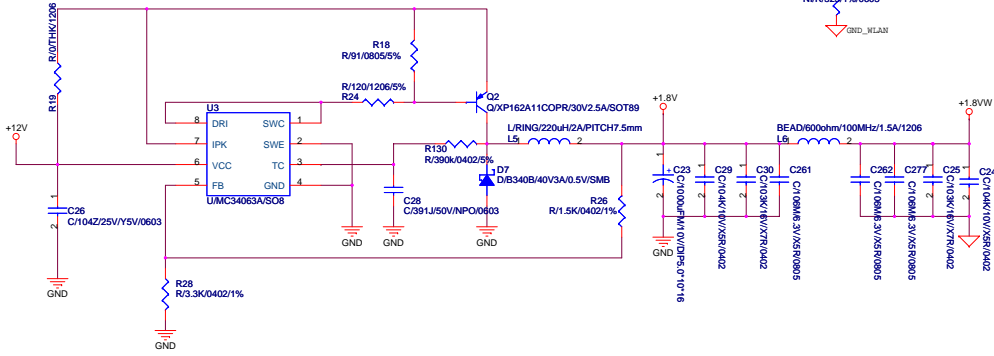
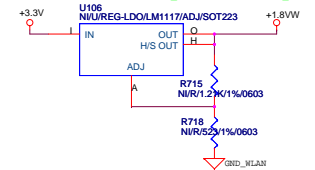
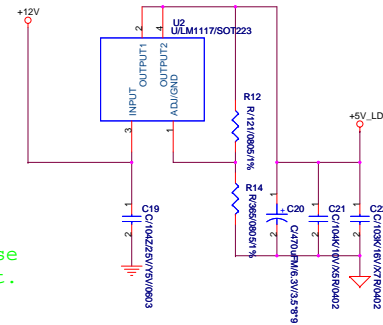


13W POWER CONSUMPTION

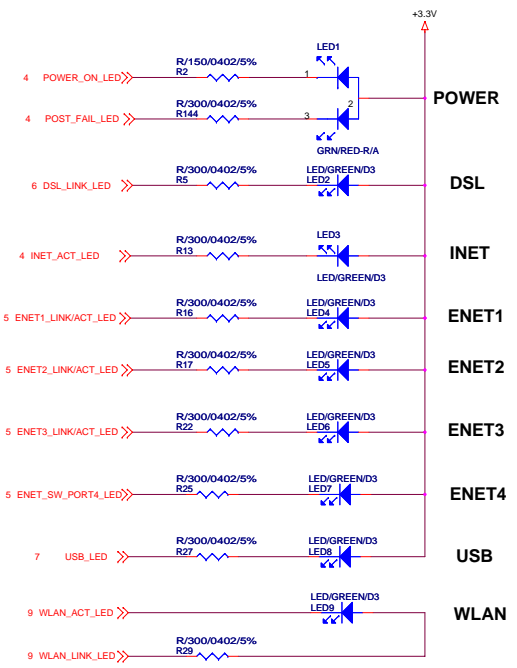


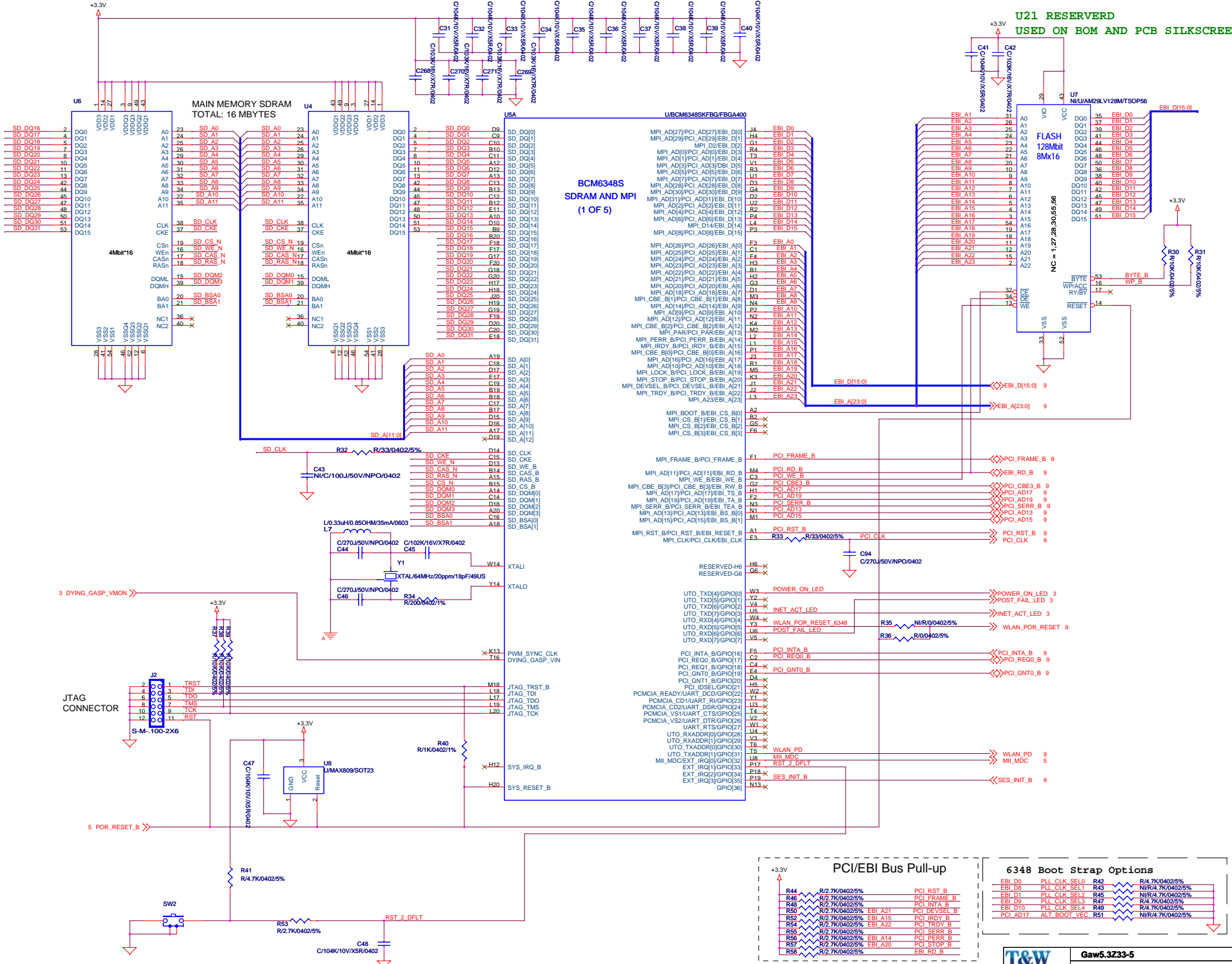


place some 106M MLCC close to U106's input & output.



FRONT PANEL LEDs





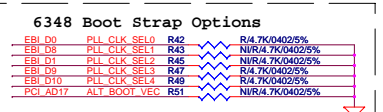
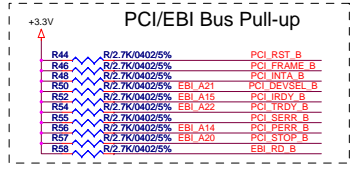
U21 RESERVED
USED ON BOM AND PCB SILKSCREEN

BCM6348S
SDRAM AND MPI
(1 OF 5)

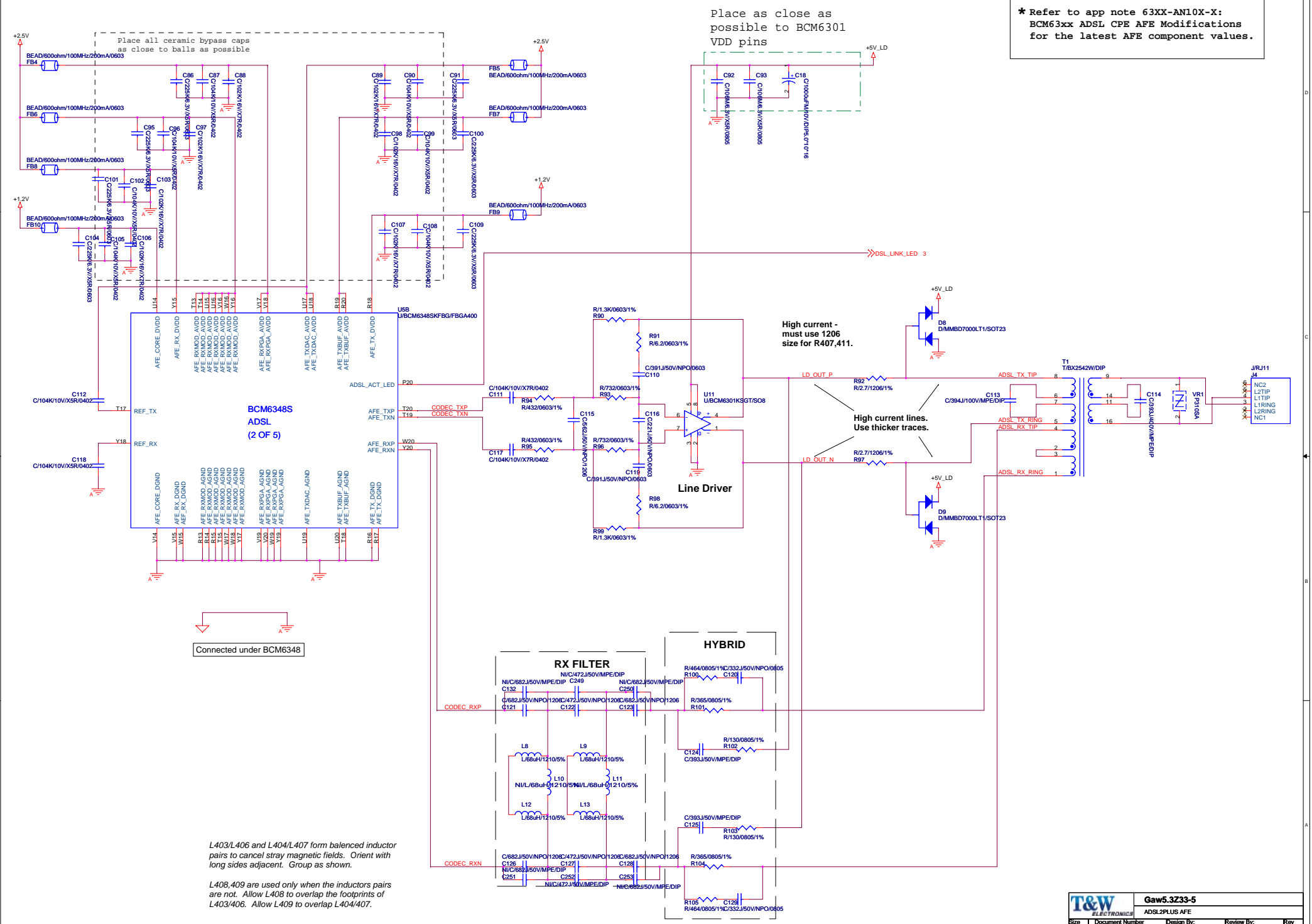
MAIN MEMORY SDRAM
TOTAL: 16 MBYTES

FLASH
128Mbit
BmX16

NC = 1, 27, 28, 30, 45, 56



* Refer to app note 63XX-AN10X-X:
 BCM63xx ADSL CPE AFE Modifications
 for the latest AFE component values.



Connected under BCM6348

L403/L406 and L404/L407 form balanced inductor pairs to cancel stray magnetic fields. Orient with long sides adjacent. Group as shown.

L408,409 are used only when the inductors pairs are not. Allow L408 to overlap the footprints of L403/406. Allow L409 to overlap L404/407.

