

53mm

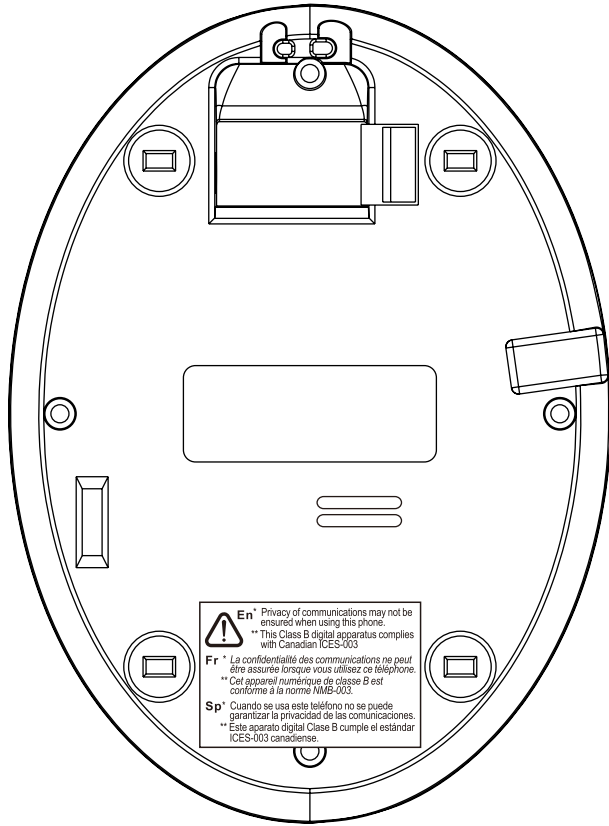
32mm

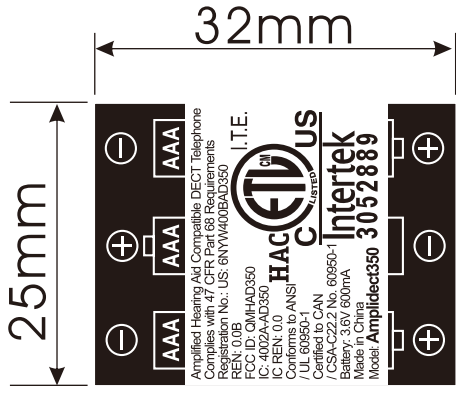
R2

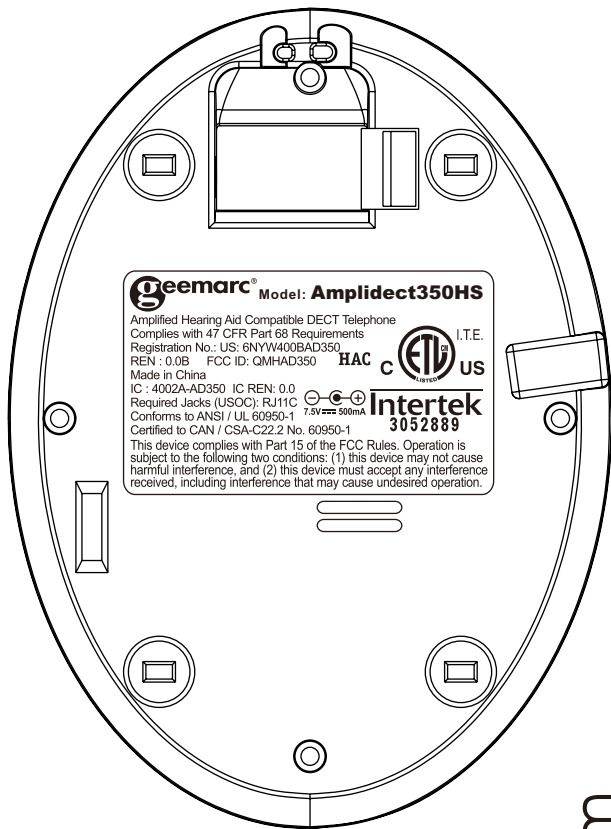
geemarc Model: **Amplidect350**
 Amplified Hearing Aid Compatible DECT Telephone
 Complies with 47 CFR Part 68 Requirements
 Registration No.: US: 6NYW400BAD350
 REN : 0.0B FCC ID: QMHAD350 **HAC C** **ETL** I.T.E. US
 Made in China
 IC: 4002A-AD350 IC REN: 0.0
 Required Jacks (USOC): RJ11C **Intertek**
 Conforms to ANSI / UL 60950-1 7.5V 500mA **3052889**
 Certified to CAN / CSA-C22.2 No. 60950-1
 This device complies with Part 15 of the FCC Rules. Operation is subject to the following two conditions: (1) this device may not cause harmful interference, and (2) this device must accept any interference received, including interference that may cause undesired operation.

geemarc Model: **Amplidect350**
 Amplified Hearing Aid Compatible DECT Telephone
 Complies with 47 CFR Part 68 Requirements
 Registration No.: US: 6NYW400BAD350
 REN : 0.0B FCC ID: QMHAD350 **HAC C** **ETL** I.T.E. US
 Made in China
 IC : 4002A-AD350 IC REN: 0.0
 Required Jacks (USOC): RJ11C **Intertek**
 Conforms to ANSI / UL 60950-1 7.5V 500mA **3052889**
 Certified to CAN / CSA-C22.2 No. 60950-1
 This device complies with Part 15 of the FCC Rules. Operation is subject to the following two conditions: (1) this device may not cause harmful interference, and (2) this device must accept any interference received, including interference that may cause undesired operation.

geemarc Model: **Amplidect350**
 Amplified Hearing Aid Compatible DECT Telephone
 Complies with 47 CFR Part 68 Requirements
 Registration No.: US: 6NYW400BAD350
 REN : 0.0B FCC ID: QMHAD350 **HAC C** **ETL** I.T.E. US
 Made in China
 IC : 4002A-AD350 IC REN: 0.0
 Required Jacks (USOC): RJ11C **Intertek**
 Conforms to ANSI / UL 60950-1 7.5V 500mA **3052889**
 Certified to CAN / CSA-C22.2 No. 60950-1
 This device complies with Part 15 of the FCC Rules. Operation is subject to the following two conditions: (1) this device may not cause harmful interference, and (2) this device must accept any interference received, including interference that may cause undesired operation.










53mm

32mm

R2

geemarc® Model: **Amplidect350HS**
 Amplified Hearing Aid Compatible DECT Telephone
 Complies with 47 CFR Part 68 Requirements
 Registration No.: US: 6NYW400BAD350
 REN : 0.0B FCC ID: QMHAD350 **HAC C** **ETL** I.T.E. US
 Made in China
 IC : 4002A-AD350 IC REN: 0.0
 Required Jacks (USOC): RJ11C  **Intertek**
 Conforms to ANSI / UL 60950-1 7.5V 500mA **3052889**
 Certified to CAN / CSA-C22.2 No. 60950-1
 This device complies with Part 15 of the FCC Rules. Operation is
 subject to the following two conditions: (1) this device may not cause
 harmful interference, and (2) this device must accept any interference
 received, including interference that may cause undesired operation.

geemarc® Model: **Amplidect350HS**
 Amplified Hearing Aid Compatible DECT Telephone
 Complies with 47 CFR Part 68 Requirements
 Registration No.: US: 6NYW400BAD350
 REN : 0.0B FCC ID: QMHAD350 **HAC C** **ETL** I.T.E. US
 Made in China
 IC : 4002A-AD350 IC REN: 0.0
 Required Jacks (USOC): RJ11C  **Intertek**
 Conforms to ANSI / UL 60950-1 7.5V 500mA **3052889**
 Certified to CAN / CSA-C22.2 No. 60950-1
 This device complies with Part 15 of the FCC Rules. Operation is
 subject to the following two conditions: (1) this device may not cause
 harmful interference, and (2) this device must accept any interference
 received, including interference that may cause undesired operation.

geemarc® Model: **Amplidect350HS**
 Amplified Hearing Aid Compatible DECT Telephone
 Complies with 47 CFR Part 68 Requirements
 Registration No.: US: 6NYW400BAD350
 REN : 0.0B FCC ID: QMHAD350 **HAC C** **ETL** I.T.E. US
 Made in China
 IC : 4002A-AD350 IC REN: 0.0
 Required Jacks (USOC): RJ11C  **Intertek**
 Conforms to ANSI / UL 60950-1 7.5V 500mA **3052889**
 Certified to CAN / CSA-C22.2 No. 60950-1
 This device complies with Part 15 of the FCC Rules. Operation is
 subject to the following two conditions: (1) this device may not cause
 harmful interference, and (2) this device must accept any interference
 received, including interference that may cause undesired operation.

