

MANUAL

USER'S MANUAL

2.4GHZ CORDLESS PHONE
CALL WAITING ON CALLER ID



CL-3269IDW / MC-931

Thank you for purchasing this cordless telephone, one of the high-quality products of our company. To obtain optimum performance, be sure to read this manual carefully before starting operation and keep it for future reference.

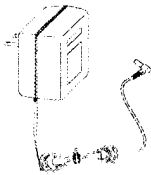
Before Initial Use

Please read **IMPORTANT SAFETY INSTRUCTIONS** on pages 21 ~ 22 before use. Read to understand all instructions.

Accessories

First carefully remove your phone from the giftbox. In addition to the cordless handset, charger base, each carton contains the following accessories:

AC Adaptors (One)



Telephone line cord (One)



User's Manual (One)



Battery (One)



9. Do not overload wall outlets and extension cords as this can result in the risk of fire or electric shock.

10. Never introduce objects into this unit through the slots as this is a risk in fire or electric shock hazard. Never spill any liquid on the unit.

11. To reduce the risk of electric shock, do not disassemble this unit. Instead take it to a qualified service station for checking. Operating or removing covers may expose you to dangerous voltages or other hazards. Incorrect repair jobs can be highly dangerous.

12. Unplug this unit from the wall outlet and refer servicing to qualified service personnel under the following conditions:

- A. When the power supply cord or plug is damaged.
- B. If liquid has been spilled over the unit.
- C. If the unit has been exposed to rain or water.
- D. If the unit does not work normally upon following the instructions. Adjust only controls covered by the operating instructions, to correct malfunctions and repairs by service technicians extensive.
- E. If the unit has been dropped or damaged.
- F. If the unit exhibits a distinct change in performance.

13. Avoid using the phones during a lightning storm. There may be a remote risk of electric shock from lightning.

14. Do not use the phones to report a gas leak nearby.

15. Use 26AWG telephone line only.



BEFORE USING



IMPORTANT SAFETY INSTRUCTIONS

Important safety instructions

When using your telephone equipment, basic safety precautions should always be followed to reduce the risk of fire, electric shock and injury to persons, including the following:

1. Read to understand all instructions in the operation manual
2. Follow all warnings and instructions marked on this unit
3. Unplug this unit from wall outlets and telephone jacks before cleaning. Do not use liquid or aerosol cleaners. Use a damp cloth for the job.
4. Do not use this unit near water, for example, near a bath tub, wash bowl, kitchen sink. If the unit comes in contact with any liquid, cut the power and unplug cords immediately. Do not reconnect the unit before totally dried.
5. Put this unit securely on a stable surface. Serious damage may result from falling.
6. Do not cover slots and openings of the unit, they are needed for ventilation and protection against overheating. Never place the unit near hot places where proper ventilation is not provided.
7. Use only the correct voltage marked on the unit.
8. Do not place objects on the power cord. Put the unit where no one can step on the cord.



IMPORTANT SAFETY INSTRUCTIONS

for Best Performance Battery Charge

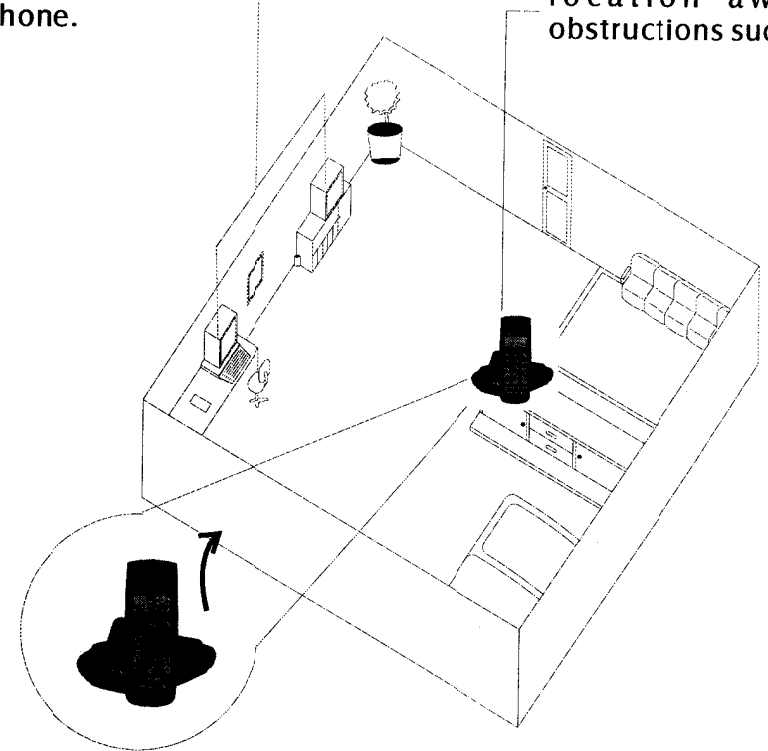
To power the handset, install the battery and charge it about 24 hours before initial use.

Operating Distance/Noise

Calls are transmitted between the base unit and the handset using wireless radio waves. For maximum distance and noise operation, the recommended base unit should be located is:

Away from electrical appliances, such as a TV, PC or another cordless phone.

In a HIGH and CENTRAL location away from obstructions such as walls.



BEFORE USING

Contents

Features	4
Location of Controls	5
A. Base Unit	5
B. Handset	6
Installation	7
A. Base Unit	7
B. Handset	7
LCD Informations	9
A. LCD Display	9
B. Descriptions	9
Handset Settings	11
A. Connection Code Set	11
B. Ringer volume adjust	11
C. TALK volume adjust	11
D. Keypad lock	11
Basic Function	12
A. Phone book function	14
B. Pause function	14
C. To make/receive/end a call	14
D. CH. button	14
E. Last number redial	15
F. Language select	15
Caller ID Operation	16
A. Making/Clearing /Call back the calling number	16
B. Area code filter	17
C. Paging button	17
D. CALL WAITING function	17
E. Battery low/Out-of-rang warning	17
Troubleshootings	19
Important Safety Instructions	21



BEFORE USING

If you hear noise or static, during a phone conversation

- Move close to the base unit.
- Make sure both antennas are extended.
- Keep the base unit away from family videos, game and machines.
- Press the "CH." key to switch to another channel.

The TV or VCR picture becomes distorted while talking

- Remove the base unit as far from the TV or VCR as needed.

Interference and noise on line

- Move away from TV, computers, fax machine, electronic equipment and motoric device.

If the LOW BATTERY indicator is on display

- The battery needs recharging.

If the battery is recharging

- Never touch the battery contacts on the base unit and handset. If they are sweaty or the battery contacts result in charging failure. If this happens, clean them with a cleaned cloth or swab.



TROUBLESHOOTING

Troubleshooting

If you experience trouble with your unit, please check the following before calling for help.

Problem

Cause & Remedy

The unit does not work

- AC adaptor unplugged or mains power failure.

If you hear two beeps when trying to use the phone

- The handset is located beyond the range of the base Unit. Or the handset is out of registration. Place the handset On the base cradle.
- Move close to the base unit or place the handset on the base cradle. Try again a few

If the phone does not ring when you receive a call

- Make sure the telephone line cord is connected firmly to the base unit and the telephone jack.
- Make sure the AC adaptor is plugged into an outlet and the wall switch is on.
- You may be too far from the base unit. Move closer to the base unit.
- You may have too many extension phones on your telephone line to allow all of them to ring. Try unplugging some of the other phones.



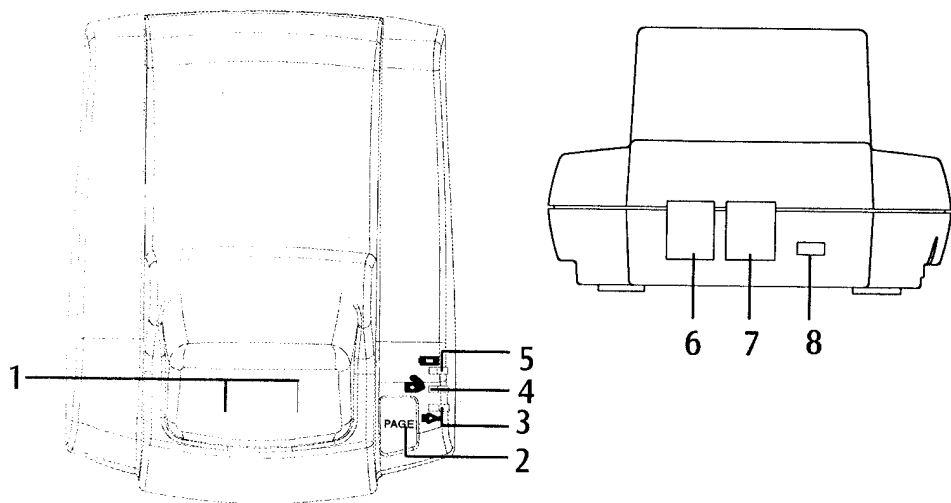
Features

1. FSK standard Caller ID Cordless telephone
2. Stores up 40 calling numbers & date and time
3. MSG/REPEAT and LCD indicator
4. Handset can review the caller list and call incoming n back
5. Deletes single or total records
6. LCD display calling and dialling number
7. 40 channels 2.4GHz Auto Scan
8. Pre-enters dial digit with edit function
9. Page on base unit to look for the handset easily
10. Memory dial function
11. Comander circuit for noise reduction
12. Area code filter function
13. LCD display indicates: channel number, operation m dial digits and memory dial digits
14. Phone book function: can preset 20 names and numt
15. Handset rear light LED
16. One-touch last number redial
17. Ringer volume and receiver volume can be adjusted
18. Flash and Pause button and function
19. Call Waiting service
20. Multi-handset function: up to 4 handset for optional
21. Line transfer between handset



Location of Controls

A. Base Unit



1. CHARGING PINS

2. PAGE BUTTON

3. POWER LED

4. IN USE LED

5. CHARGE LED

6. POWER SOCKET

7. TELEPHONE LINE SOCKET

8. TONE / PULSE SWITCH

Out-of range warning

In talking mode, if the handset is too far away from base unit, an out-of-range warning tone will give alarm signal the handset. The handset should move back nearer to the base unit. If not, the base unit will automatically return to standby mode after making beep sounds for 45 seconds. When the handset makes a chirp tone, then press **TALK/ST-BY** button to return to standby mode.

Keys confirmation tone

When the user presses keys on the handset, a key confirmation tone will be generated if the key is valid and also received by the base unit.

Line transfer

If extra handset is set to the base unit

1. During a phone conversation, press **DEL** button and handset number. The line will be held and make music sounds to the other end, the handsets will make transfer ring.

2. The other handset can press **TALK/ST-BY** button to answer the call automatically after receiving the transfer ring.

3. Press **TALK/ST-BY** button to return the connection to the call. If the handset user does not want to take the call during the transfer ring.

4. If the two handsets do not respond within 40 seconds, the base unit will disconnect the line automatically.

B. AREA CODE NUMBER

1. In the standby mode, press **EDIT** button once.
2. Then press **CID** button, the LCD shows **AREA CODE**, then input the 1~4 digits area code number.
3. Press **EDIT** button again to save and exit.

C. Paging button

1. Press the **PAGE** button to page the handset.
2. Press **PAGE** button a second time to cancel a page operation.

D. CALL WAITING function

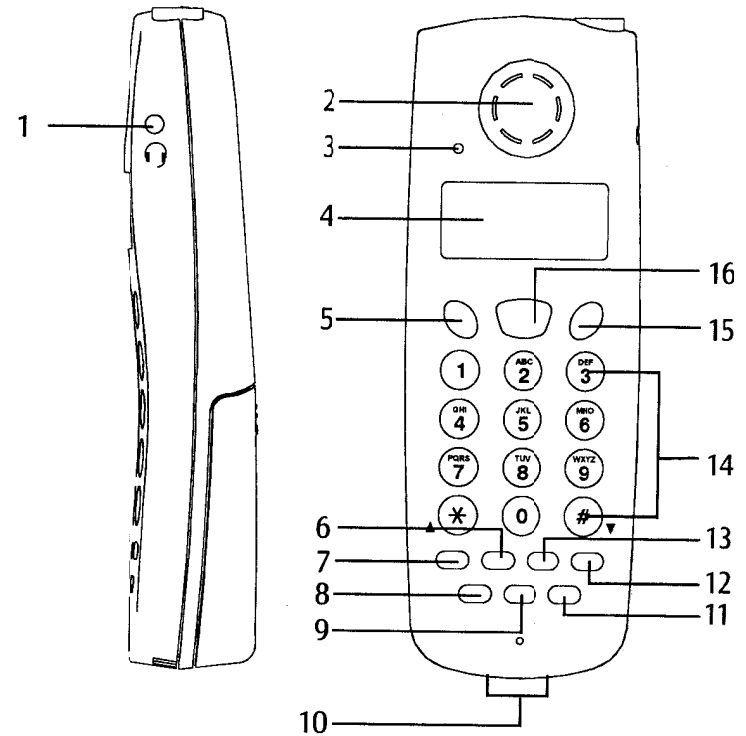
When you have subscribed to call waiting service from your local telephone company, this telephone can indicate the name and number of second caller while you are having a conversation with first call.

1. When you are having a conversation, this telephone will automatically display the name and number of the second caller.
2. Press the **FLASH** button to answer the second caller. The first call's name and number will be displayed.
3. When you finish the call, press the **FLASH** button to continue your conversation with your first caller.

F. Battery low warning

Once the battery voltage level is lower, the BATT LOE will show on the LCD, the low battery warning tone will also be generated. You need to put it on the base to recharge.

B. Handset Unit



1. Earphone jack
2. RECEIVER
3. In use LED
4. LCD DISPLAY
5. CID BUTTON
6. DEL BUTTON
7. RD./P BUTTON
8. CH. BUTTON

9. EDIT BUTTON
10. CHARGE CONTACT PIN
11. FLASH BUTTON
12. VOL. BUTTON
13. MEMO BUTTON
14. 12 DIGIT DIAL KEYS
15. TRANS. BUTTON
16. TALK/ST-BY BUTTON



CALLER ID OPERATION

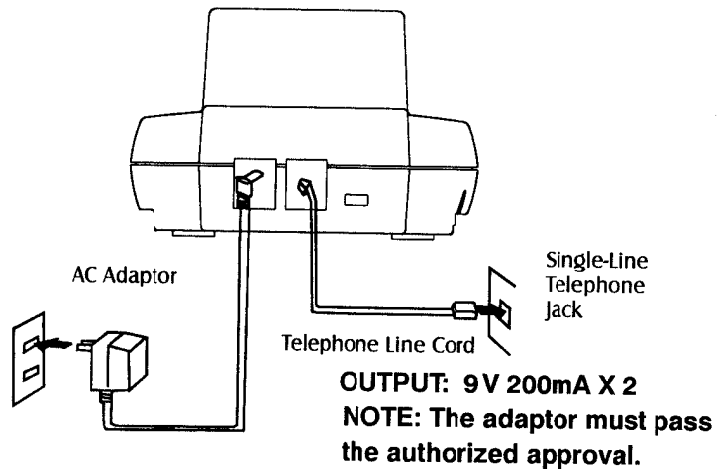


BEFORE USING

Installation

Base unit

Connecting the telephone line and connecting the power.



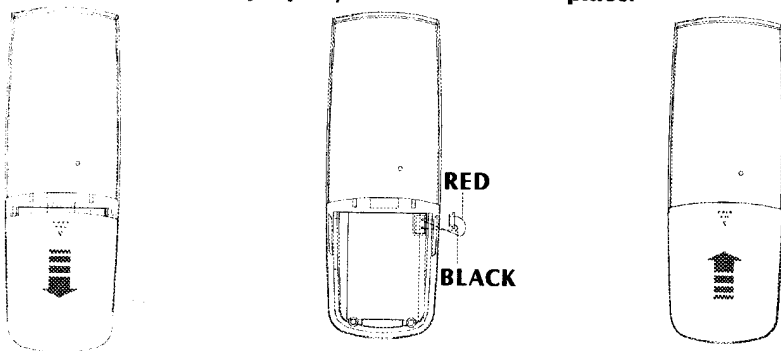
Handset

Install the battery

(1) Push the battery cover downward.

(2) Plug the battery connector into the jack properly.

(3) Close the battery cover till it locks into place.



NOTE:

1. The rechargeable battery type is: **NI-MH 450mAh 3.6V**
2. Do not throw the battery into the fire.
3. Do not throw the battery everywhere, in case cause the pollution.



BEFORE USING

Caller ID Operation

A. Making a calling number

Press **CID** button, the LCD will show the total and new called number. Press * or # key to review the other called numbers, press **CID** button to exit. When you found the desired number, press **TALK/ST-BY** button, the number will be dialed out.

Clearing calling number for single or all records

Delete all record

1. In the standby mode, press **CID** button.
2. Press **DEL** button and the LCD will show **DELETE ALL?**
3. Press **DEL** button again to delete.
4. Press **CID** button to return to the standby mode.

Delete the single records

1. In standby mode, press **CID** button
2. Press * or # button to select the record
3. Press **DEL** button and the LCD shows **DELETE?**
4. Press **DEL** button again to delete and the LCD shows **DELETED.**
5. Press **CID** button or place the handset on the base unit to return to the standby mode.

Call back the call

1. Press **CID** button in standby mode.
2. Press the * or # button to select the call
3. Press 0 button to dial the number with first digit 0, press 1 button to dial the number with first digit 1, press 7 button to dial the latest 7 number, press 8 button to dial the latest 8 digits number.



CALLER ID OPERATION

E. Last number redial

When the handset is in talking mode, pressing the **RD./P** button will open the line and dial out the last call numbers.

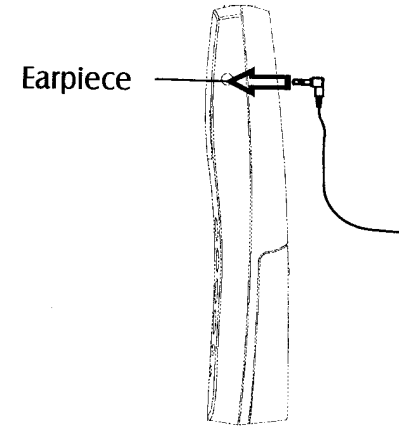
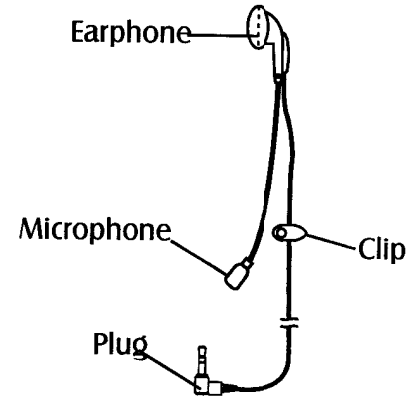
PULSE/TONE select:

The Pulse/Tone switch is located on the back side of the base. For PULSE dialling, move the switch to **P** position. For TONE dialling, move the switch to **T** position. If you don't know, please ask the support for details.

Ear-Microphone connect (Optional)

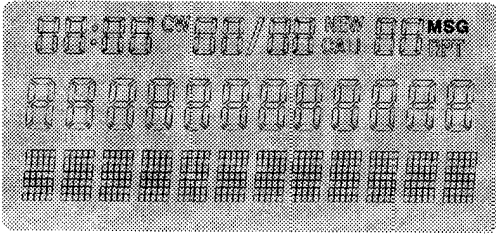
The unit has an Ear-Microphone for you to use. When you use it, just do as the following:

Put Ear-Microphone's plug into the jack which is located on the left of the cordless handset. Then you can use it freely.



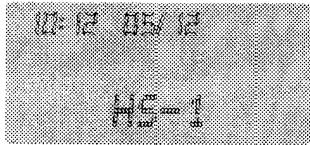
LCD Informations

LCD display:



Description:

In standby mode: In this mode, the LCD will show the handset number and real time.



IN USE indicator: After pressing **TALK/ST-BY** button, the **TALK** will show on the LCD, indicating that the unit is in use mode.

REPEAT marking: If the call comes repeatedly, when reviewing the call, the **RPT** will turn on the right upper of the LCD.

Battery low indicator: If the battery is low, the **BATT LOW** will show on the LCD.

Message waiting: When somebody leaves messages in the mail box, the **MSG** will turn on the right upper of the LCD. it can be cancelled from the telephone company's signal.



BEFORE USING

6. To Change or Replace a Speed Dial Number

To change or replace a stored number in the speed dial memory enter the new number and store it in the memory location you want to change.

B. Pause function

Allows you to insert a temporary pause during dialling sequence. For example, dialling an international number (eg: 011-886-22-795) some telephone company systems will not register the entire number without a pause between the prefix numbers. You may have to dial 011- RD./P, dial 886 - RD./P. This allows adequate timing for the phone number to register with the telephone company's system before you complete the call.

C. To make a call

1. Press the **TALK /ST-BY** button and wait for a dial tone.
2. Dial your desired number and start your conversation.

To receive a call

To receive a call just pick up the handset when it is in the base station cradle or press any key when it is not in the base station cradle.

To end a call

To end a call just place the handset on the base station cradle or press the **TALK/ST-BY** button.

D. CH. button

During the phone conversation, if you hear noise or static, press the **CH** button to find a more clearly channel.



BASIC FUNCTION

3. Review the memory

1. Press the **MEMO** button
2. Press the * and # button to select you want.

PS: if the name is more than 12 characters (there are up to 16 characters), press **FLASH** button to look the leaving characters

4. Speed review the memory

1. Press the **MEMO** button
2. Enter the location number(01~20) of the record, the screen will display the record you want.
3. If you press **TALK/ST-BY** button will dial out the number.

5. Deleting the single or all records in the memory

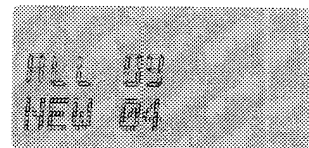
Delete all record

1. In the standby mode, press **MEMO** button.
2. Press **DEL** button and the LCD will show **DELETE ALL?**
3. Press **DEL** button again to delete.
4. Press **MEMO** button to return to the standby mode.

Delete the single records

1. In standby mode, press **MEMO** button
2. Input the location numbers or press * or # button to select the record
3. Press **DEL** button and the LCD shows **DELETE?**
4. Press **DEL** button again to delete and the LCD shows **DELETED.**
5. Press **MEMO** button or place the handset on the base unit to return to the standby mode.

TOTAL and NEW CALL indicator: After press CID button, the LCD show the total and new calls:



CALL WAITING indicator: When you enter the second conversation, the CW will show on the LCD.

CLOCK SET

In the standby mode, press **EDIT** button then press **CH.** button month digit will flash, then use * and # button to set, press **CH.** button next digit.



Handset Settings

A. CONNECTION CODE SET

1. Make sure the base unit is connected into the AC outlet and line jack.
2. Press and hold the **PAGE** button on the base unit. After 2 seconds, put the handset on the base unit, the unit will give you a confirmation beep, it means that the code has been set and the handset will show **HS-1** on the LCD.
3. If you have more than one handset, put the second handset on the base unit until you get a beep and display **HS-2**, continue the same procedure, if you have third and fourth handset. If not, release the **PAGE** button from the base unit.

NOTE: The **PAGE** button on the base unit should keep pressing during the whole procedure.

B. Ringer volume adjust

In standby mode, press **VOL.** button, then press * or # button to adjust the ringer volume HI or LO, press **VOL.** button to confirm.

C. TALK volume adjust

On talk mode, press **VOL.** button to adjust the talk volume HI or LO, press **VOL.** button to confirm.

D. Keypad lock

1. Press and hold **RD./P** and **FLASH** button at same time until the LCD shows **LOCK**, this mode will not allow you to dial any calls.
2. If you want to dial the call, just press and hold **RD./P** and **FLASH** button at same time again.



HANDSET SETTING

Basic Function

A. Phone book function

This lets you scroll through the list to find the person you need can store up to 20 names and numbers in the memory.

1. To add the name and number in phone book

1. In standby mode, press the **MEMO** button
2. Input the location number(01 ~ 20)
3. Press the **EDIT** button to enter the edit mode, use the keypad (2 ~ 9) to enter the name.
4. Use * and # button to move back and forth through the name.
5. Create a space between names or words by pressing the # twice after the last character.
6. Press the **MEMO** button to save the name and the cursor moves to the number field
7. Enter the telephone number.
8. Press the **MEMO** button to return to the standby mode.

2. Copy the CID number to phone book

1. In standby mode, press **CID** button to enter the call review, then the * or # button to select the number.
2. Press the **MEMO** button, then input the location number(01 ~ 20)
3. Press the **MEMO** button, then the handset will give you a music and it means saving is succeed.
4. Press the **CID** button to exit.

NOTE: Remember to add a leading zero for location number under such as 01, 05 and 09. Do not put only 1, 5 or 9.



BASIC FUNCTION