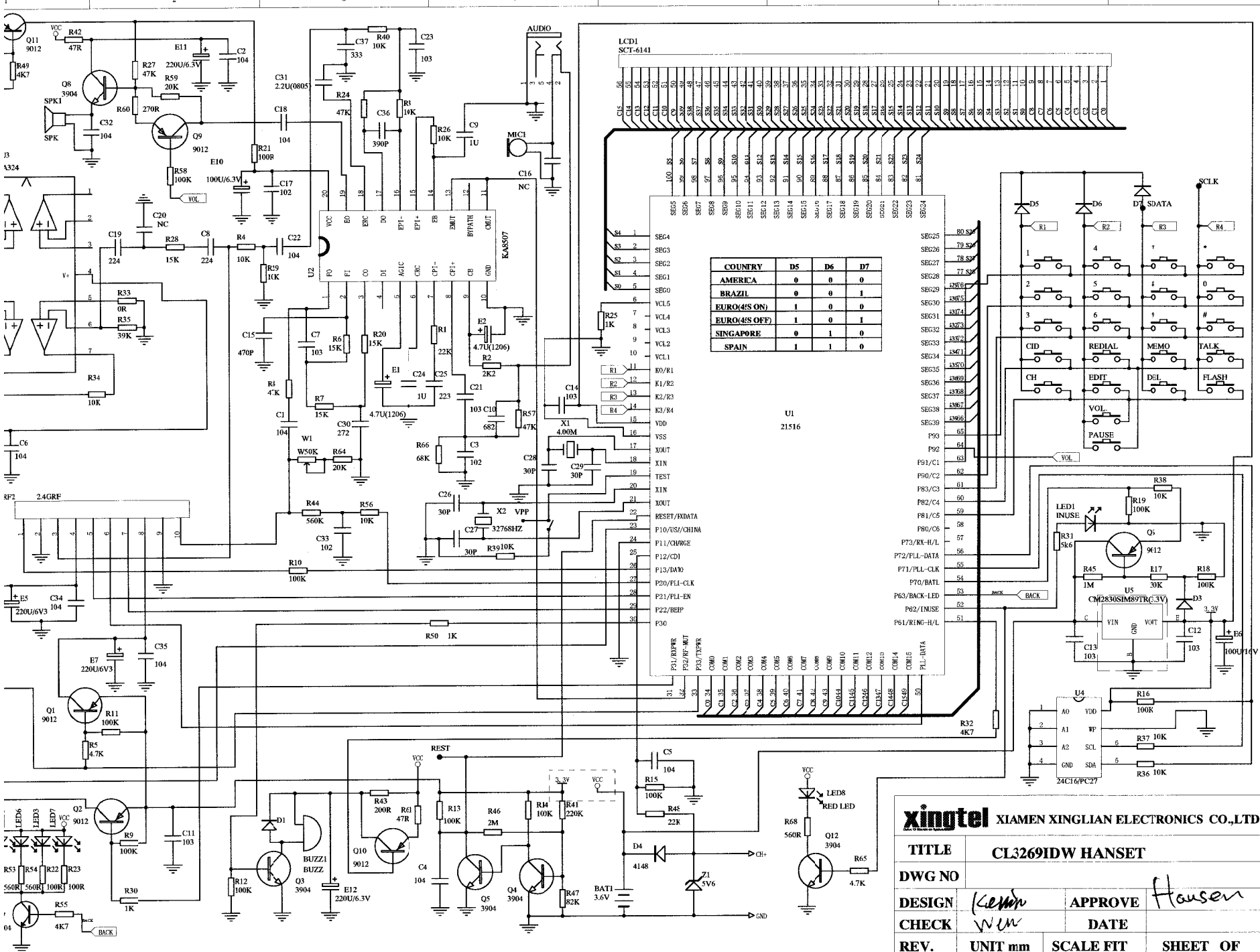
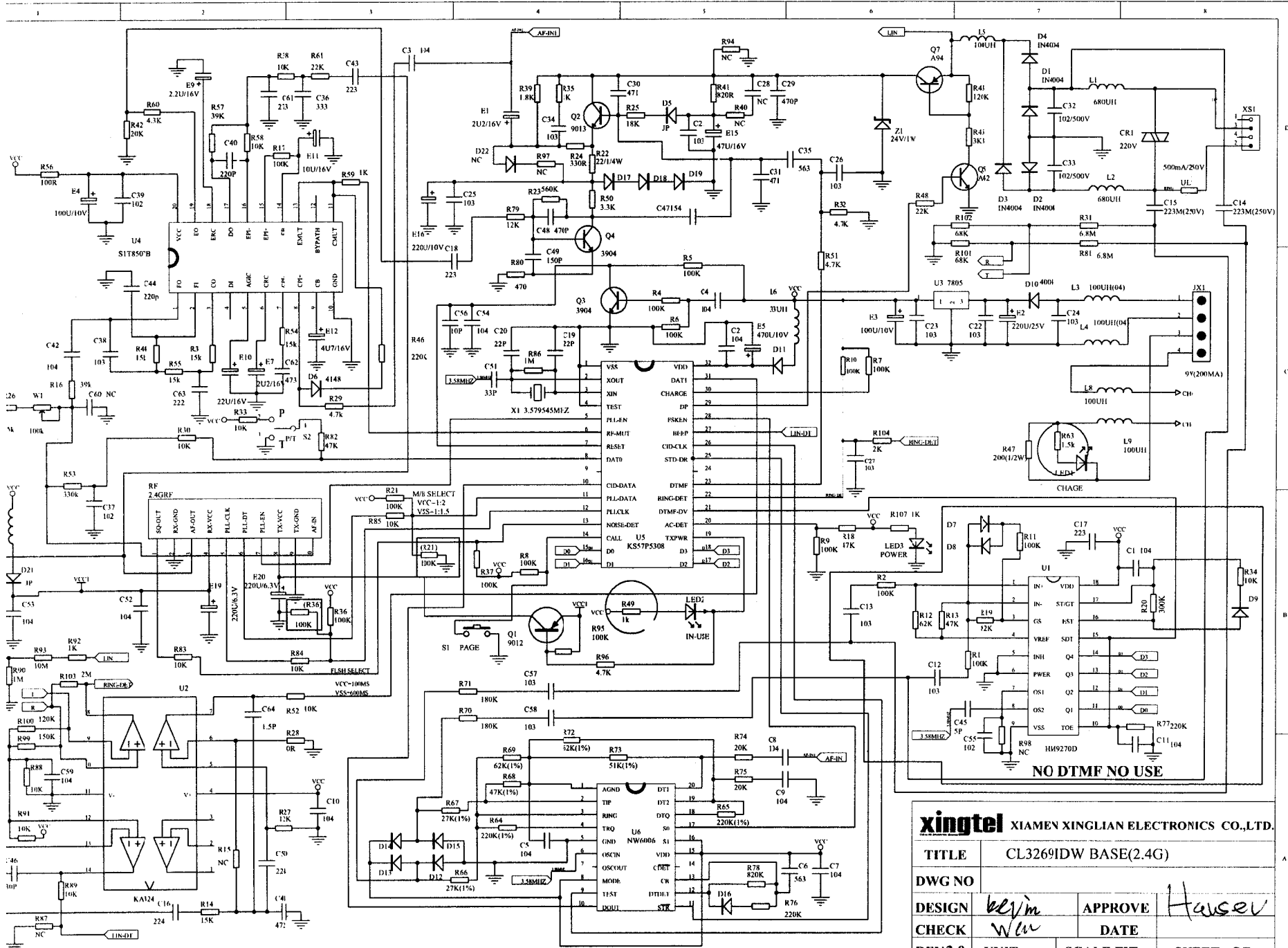


CIRCUIT DIAGRAM

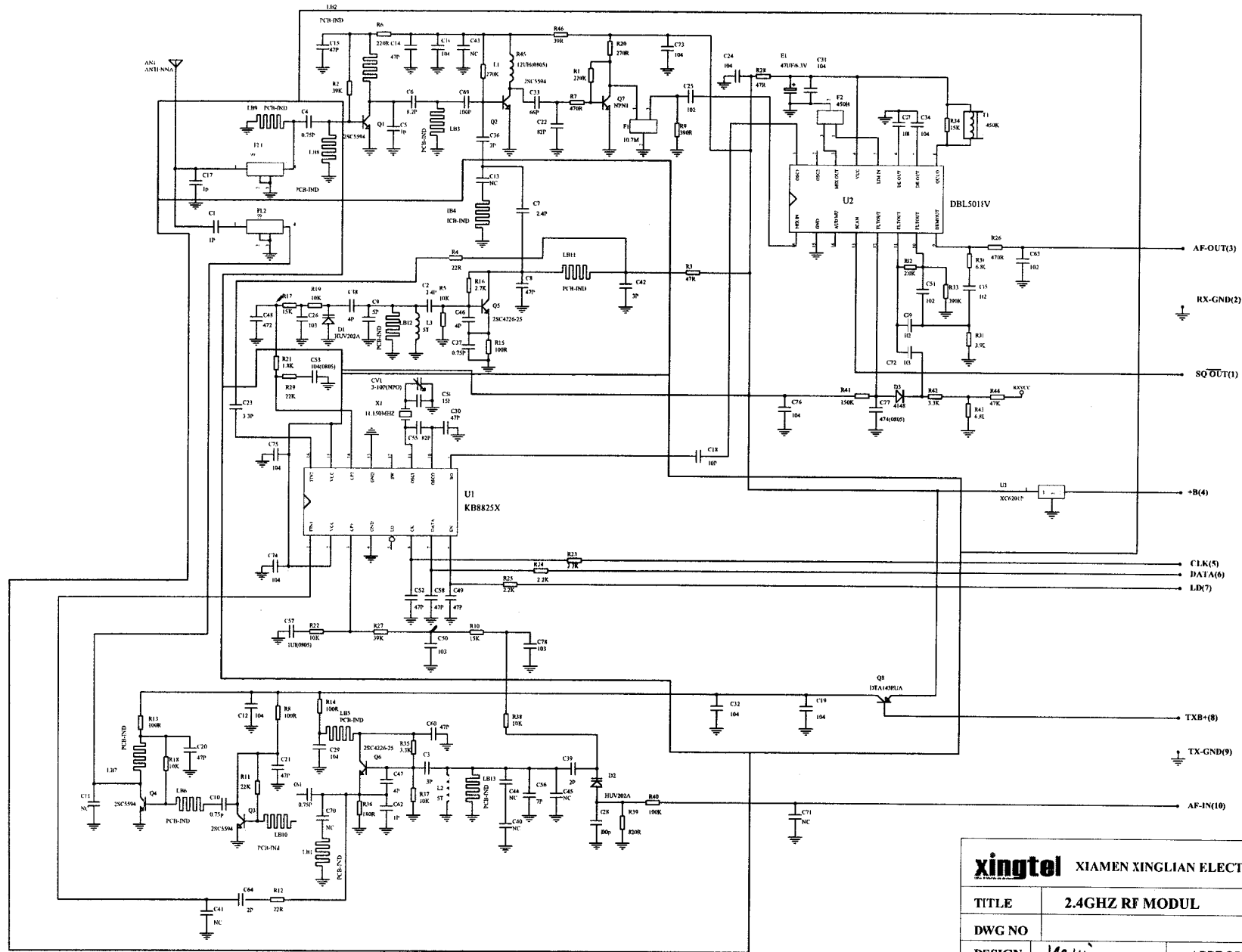


xingtel XIAMEN XINGLIAN ELECTRONICS CO.,LTD.

TITLE	CL3269IDW HANSET		
DWG NO			
DESIGN	<i>Kemur</i>	APPROVE	<i>Hansen</i>
CHECK	<i>WUM</i>	DATE	
REV.	UNIT mm	SCALE FIT	SHEET OF



xingtel XIAMEN XINGLIAN ELECTRONICS CO.,LTD.			
TITLE		CL32691DW BASE(2.4G)	
DWG NO			
DESIGN	<i>keyin</i>	APPROVE	<i>Hausev</i>
CHECK	<i>Wu</i>	DATE	
REV.3.0	UNIT mm	SCALE FIT	SHEET OF



xingtel XIAMEN XINGLIAN ELECTRONICS CO.,LTD.			
TITLE	2.4GHZ RF MODUL		
DWG NO			
DESIGN	<i>Kevin</i>	APPROVE	<i>Hansen</i>
CHECK	<i>Wen</i>	DATE	
REV.	UNIT mm	SCALE FIT	SHEET OF