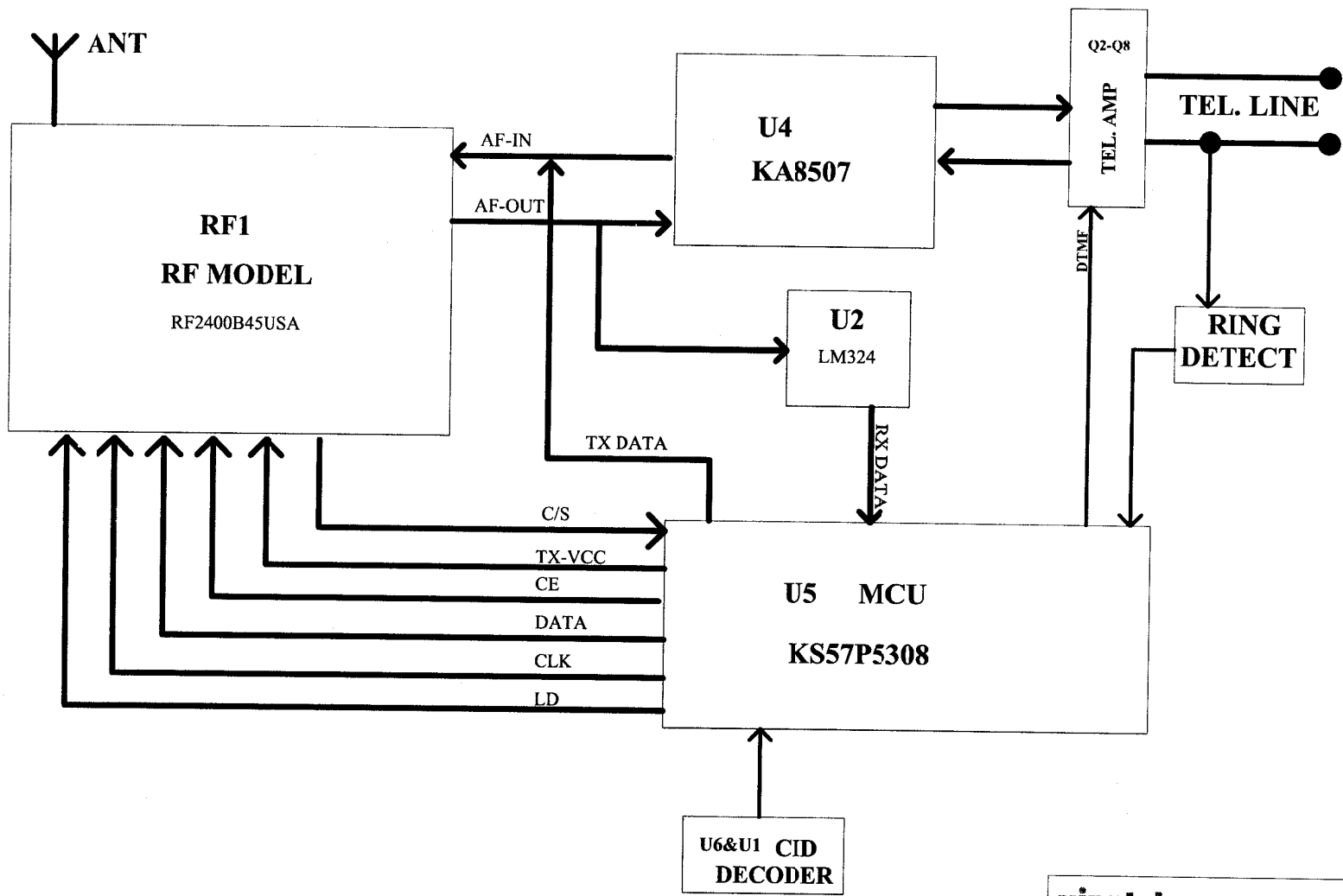
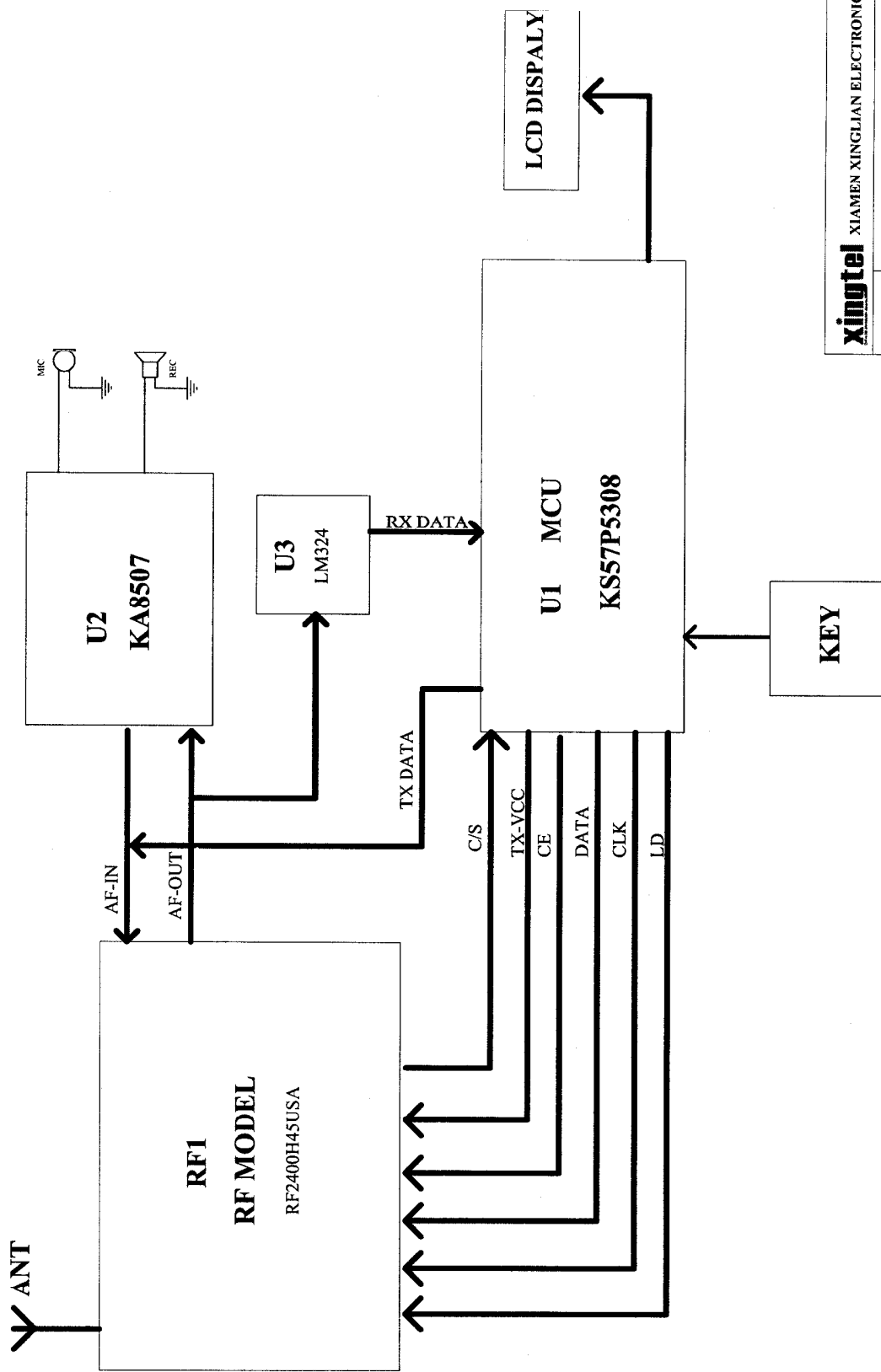


BLOCK DIAGRAM



| | | | |
|---|-------------------------------|-----------|---------------|
| xingtel XIAMEN XINGLIAN ELECTRONICS CO.,LTD. | | | |
| TITLE | CL-32691DW BASE BLOCK DIAGRAM | | |
| DWG NO | | | |
| DESIGN | <i>Kevin</i> | APPROVE | <i>Hansen</i> |
| CHECK | <i>Wen</i> | DATE | |
| REV. | UNIT mm | SCALE FIT | SHEET 1 OF 1 |



| | | | | | |
|---|----------------------------------|-----------|--------------|--|--|
| xingtel XIAMEN XINGLIAN ELECTRONICS CO.,LTD. | | | | | |
| TITLE | CL-3269IDW HANDSET BLOCK DIAGRAM | | | | |
| DWG NO | | | | | |
| DESIGN | leim | APPROVE | Hansen | | |
| CHECK | Wen | DATE | | | |
| REV. | UNIT mm | SCALE FIT | SHEET 1 OF 1 | | |