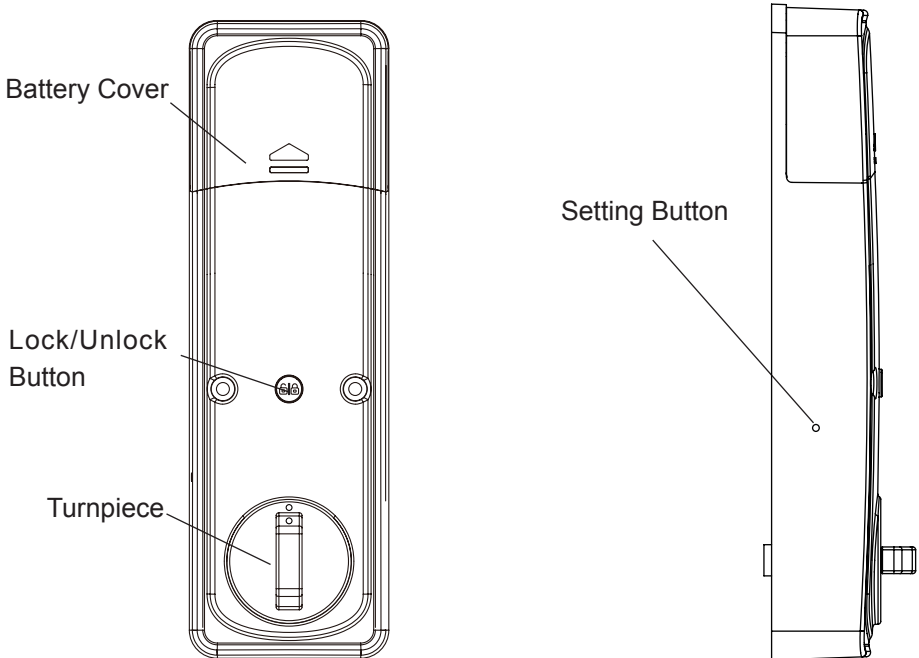
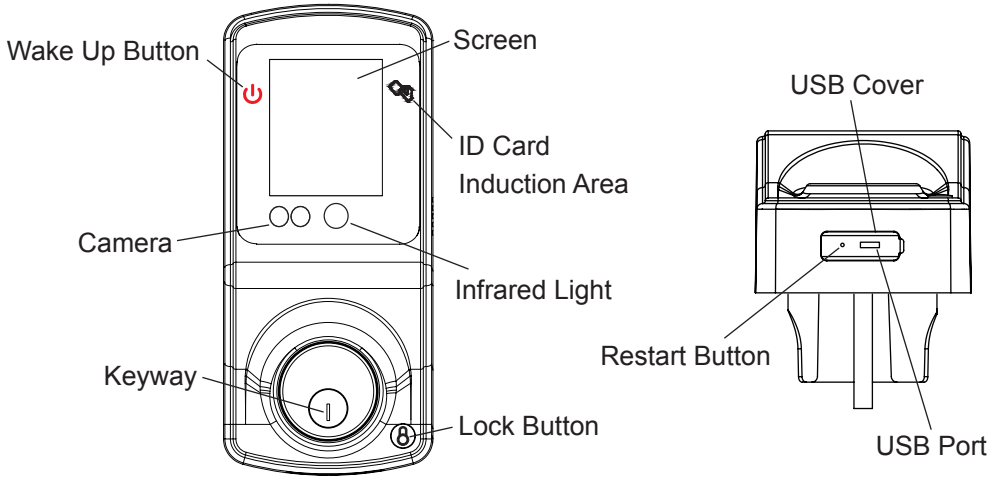


Facial Recognition Door Lock XL-9192



User manual

1. Layout



2. Technical Parameters

No.	Specifications	Descriptions
1	Display Size	2.4 inches
2	Unlocking Modes	Face+ID card+Passcode+Key
3	Dual camera	IR+Colorful camera
4	Num. Of Users	105 (5 administrators +100 users)
5	Identification Time	<0.5s
6	Identification distance	30~80cm
7	Enrollment Time	<18s
8	FAR (False Acceptance Rate)	<0.00001%
9	FRR (False Reject Rate)	<0.01%
10	Supply voltage	DC 6V
11	Working current	<300mA (avg)
12	Standby current	<50uA (avg)
13	Low voltage alarm	<4.7V±0.2
14	Self-learning function	Deep-learning facial recognition algorithm. Capable to adapt to face features changes
15	NIR Illumination	Identify faces in complete darkness environment
16	Liveness Detection	Stop pictures and videos counterfeit
17	Working temperature	-30℃ ~60℃
18	Languages	English / French / Spanish
19	User administration	3 Levels user management, administrator, normal user and visitor. Valid time duration can be assigned to each visitor
20	Identification alarm	Alarms after five times of identification errors

3. Registration

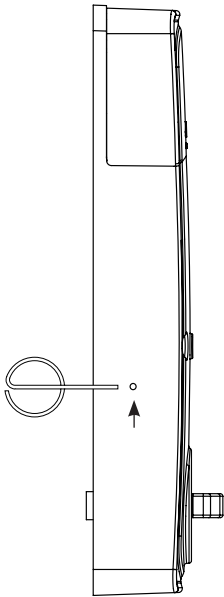
Press the Wake Up Button, you will hear a beep sound then the outdoor unit would be waked up and enter the working mode.

● Add First User

Step1. Use a pin to press setting button and enter the menu.

Step2. Register administrator's face, ID card, passcode.

Note: Please enroll your face after installing lock on the door so as to quickly identify your face according to fixed height and distance. Only administrator registration is available at first time registration.



● Add New User

Step1. Use a pin to press setting button and change to administrator mode.

Step2. Verify administrator's identity and enter the menu.

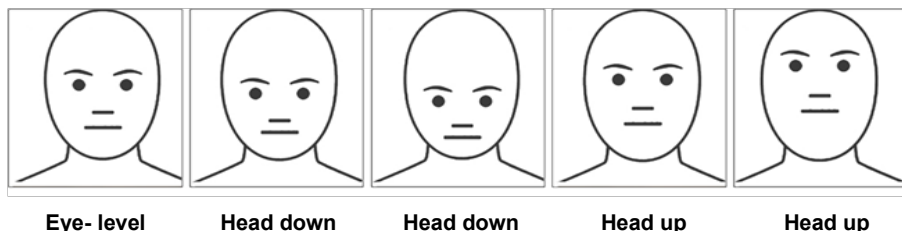
Step3. Register new user's face, ID card, passcode.

Note: Same face, ID card can only be registered one time only.

Tip: Face Registration Posture

During the face registration process, the face should be shown in the green frame of screen, lower and raise your head in a small range according to the animation prompts shown in the screen which help to record all the different parts of the face into the system and make the registration more accurate.

◆ The registration postures are as follow:



When the green progress bar at the bottom of the screen is finished, the voice prompts "thank you", which indicates that the registration has been completed.

4. Menu

Only administrator can enter the menu setting, you could do the things as below:

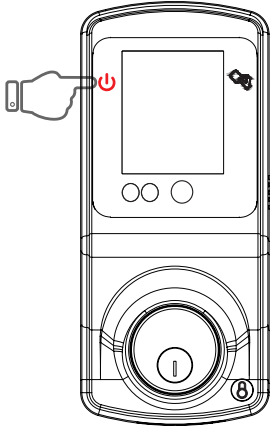
- Register, Edit, Delete Information of administrators and users
- View the unlocking log
- Set language, date, time, sound, display camera and others
- Restore factory settings

Note: You could also restore factory settings by long pressing the setting button for about 9 seconds. Then the screen will display whether to restore the factory settings or not? Click on "yes".

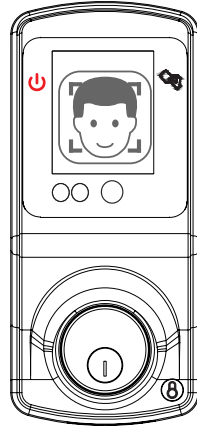


5. Lock & Unlock

① Facial recognition to unlock the door

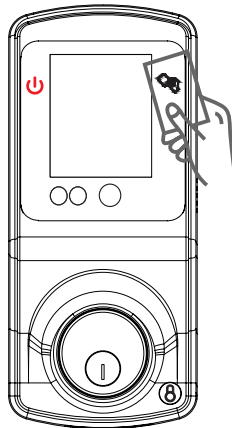


Press the wake up button

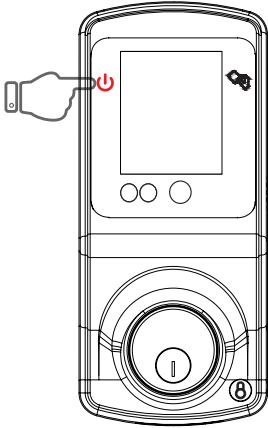


Verify your face ID

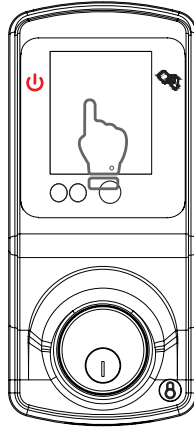
② Swipe your ID card to unlock the door



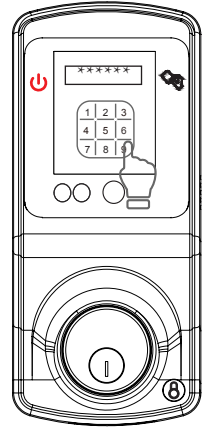
③ Enter your passcode to unlock the door



Press the wake up button

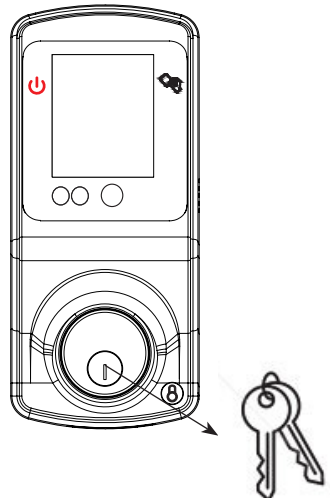
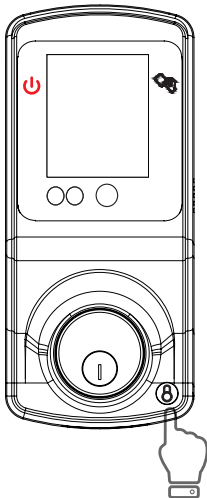


Touch the screen

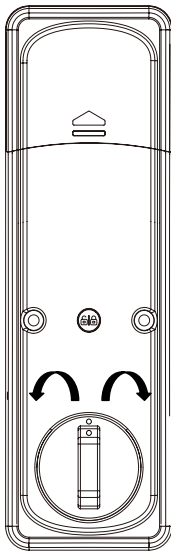


Enter your passcode

④ Press the lock button to lock the door or use mechanical key to lock or unlock the door

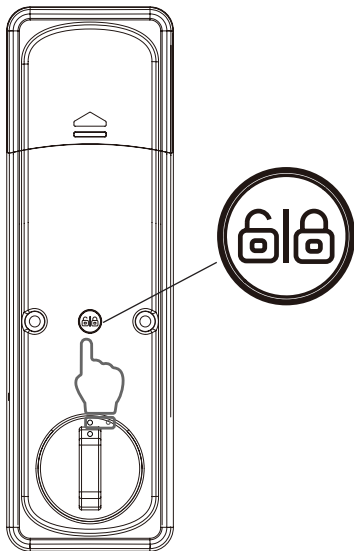


⑤ Rotate turnpiece to lock or unlock the door



lock or unlock

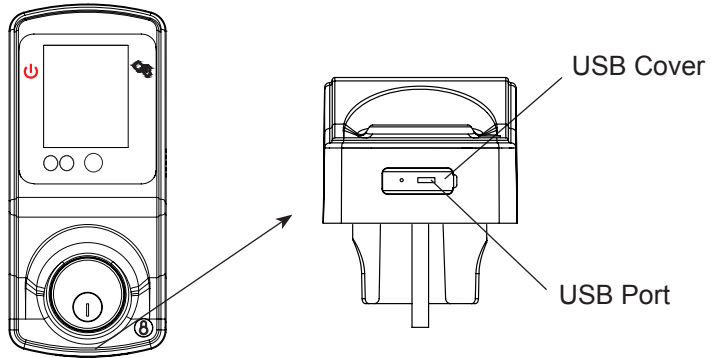
⑥ Press lock/unlock button to lock or unlock the door



Note: If the indicator light on lock/unlock button flash red means lock, green means unlock. Press 3 times, if it flash red and green alternated, you need to recheck the installation to ensure correct installation,

6. Backup Power Supply

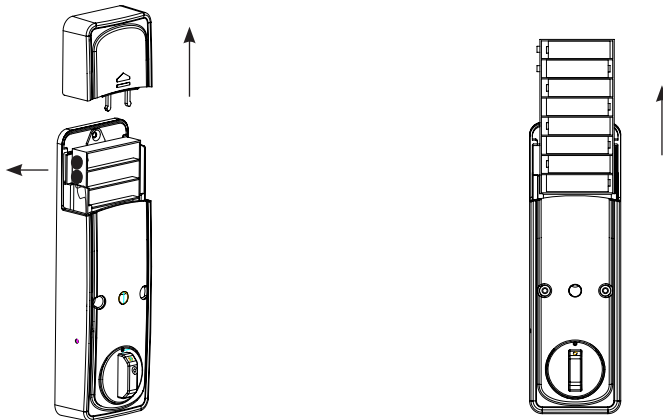
When you are outside the door and the unit is out of power, you could use a powerbank to connect USB port on the bottom of the unit for emergency power supply.



7. Battery Replacement

When the low power indication display on the screen or the light in on/off button flash red 5 times, you need to replace the battery. Remove the battery cover and unplug the connectors, then take out the battery compartment, reload 8pcs new AA battery.

◆ Pay attention that you need to replace all the batteries, old and new batteries cannot be used together.



FCC statement:

This device complies with part 15 of the FCC rules. Operation is subject to the following two conditions:

(1) This device may not cause harmful interference, and

(2) This device must accept any interference received, including interference that may cause undesired operation.

NOTE: The manufacturer is not responsible for any radio or TV interference caused by unauthorized modifications or changes to this equipment. Such modifications or changes could void the user's authority to operate the equipment.

NOTE: This equipment has been tested and found to comply with the limits for a Class B digital device, pursuant to part 15 of the FCC Rules. These limits are designed to provide reasonable protection against harmful interference in a residential installation. This equipment generates uses and can radiate radiofrequency energy and, if not installed and used in accordance with the instructions, may cause harmful interference to radio communications. However, there is no guarantee that interference will not occur in a particular installation. If this equipment does cause harmful interference to radio or television reception, which can be determined by turning the equipment off and on, the user is encouraged to try to correct the interference by one or more of the following measures:

- Reorient or relocate the receiving antenna.
- Increase the separation between the equipment and receiver.
- Connect the equipment into an outlet on a circuit different from that to which the receiver is connected.
- Consult the dealer or an experienced radio/TV technician for help.

IC Statement:

This device complies with Industry Canada license-exempt RSS standard(s).

Operation is subject to the following two conditions:

- (1) this device may not cause interference, and
- (2) this device must accept any interference, including interference that may cause undesired operation of the device.

Cet appareil est conforme avec Industrie Canada RSS exemptes de licence standard(s).

Son fonctionnement est soumis aux deux conditions suivantes:

- (1) cet appareil ne peut pas provoquer d'interférences, et
- (2) cet appareil doit accepter toute interférence, y compris celles pouvant causer un mauvais fonctionnement de l'appareil.

This Class B digital apparatus complies with Canadian ICES-003.

Cet appareil numérique de la classe B est conforme à la norme NMB-003 du Canada.

FOR MOBILE DEVICE (>20cm from body)

Radiation Exposure Statement:

This equipment complies with IC radiation exposure limits set forth for an uncontrolled environment. This equipment should be installed and operated with minimum distance 20cm between the radiator & your body.

Déclaration d'exposition aux radiations:

Cet équipement est conforme aux limites d'exposition aux rayonnements IC établies pour un environnement non contrôlé. Cet équipement doit être installé et utilisé avec un minimum de 20 cm de distance entre la source de rayonnement et votre corps.