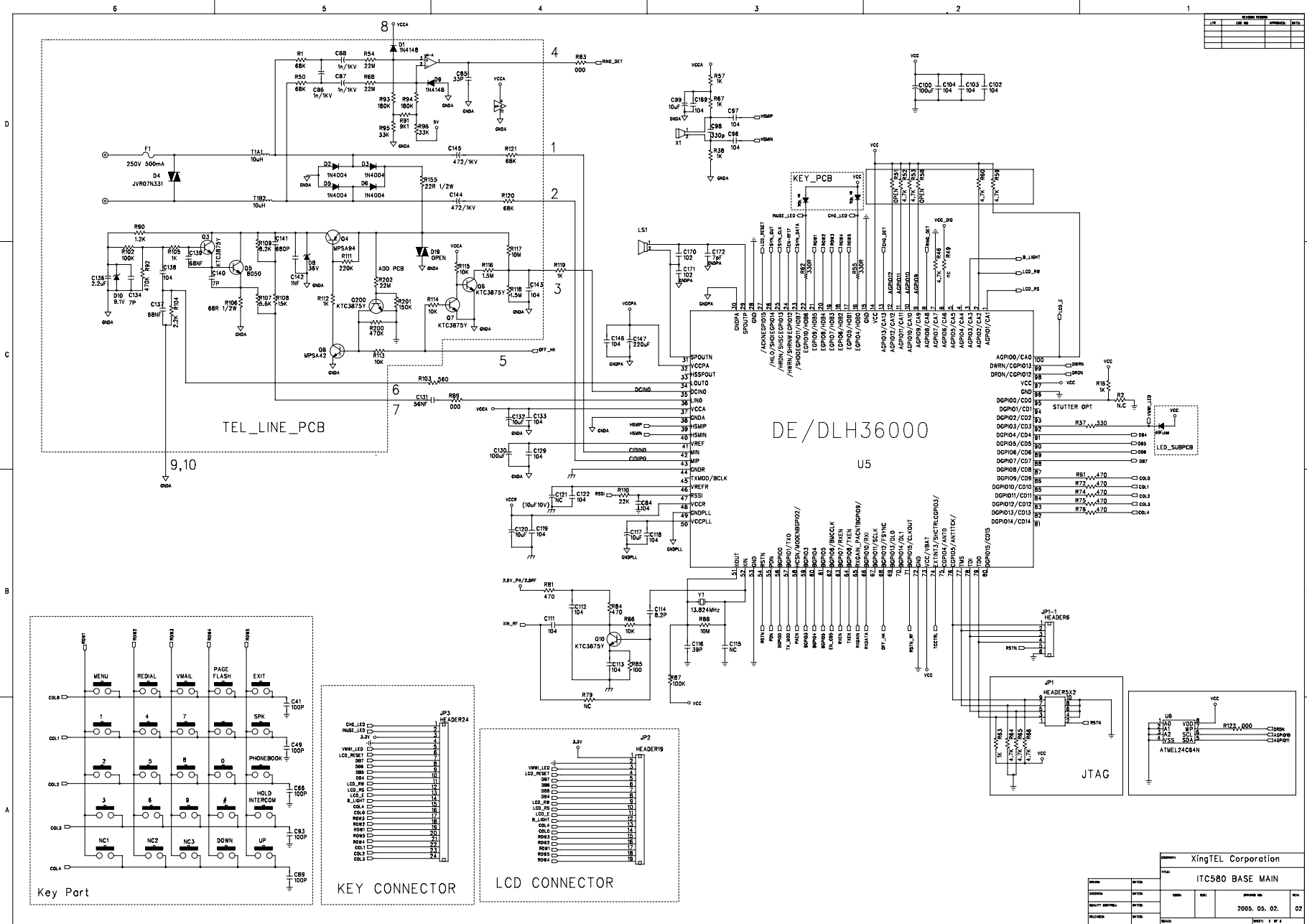
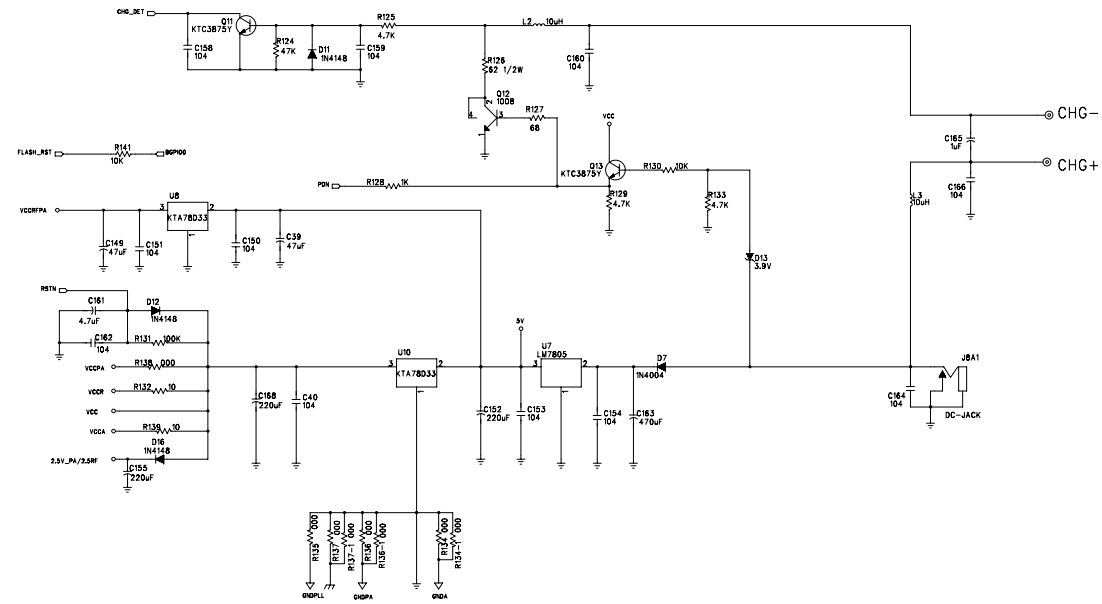
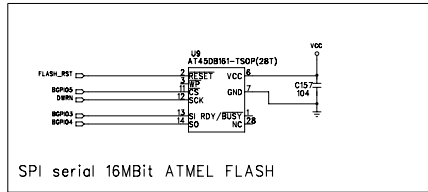
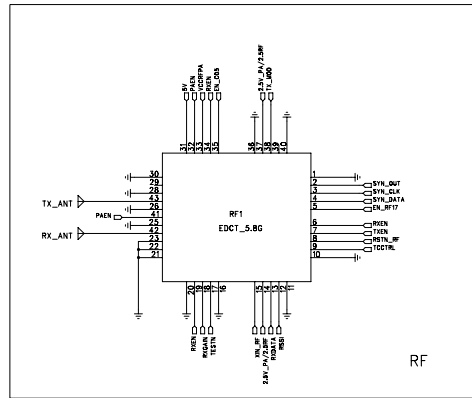


Lib	Sheet Name	Comments	Date

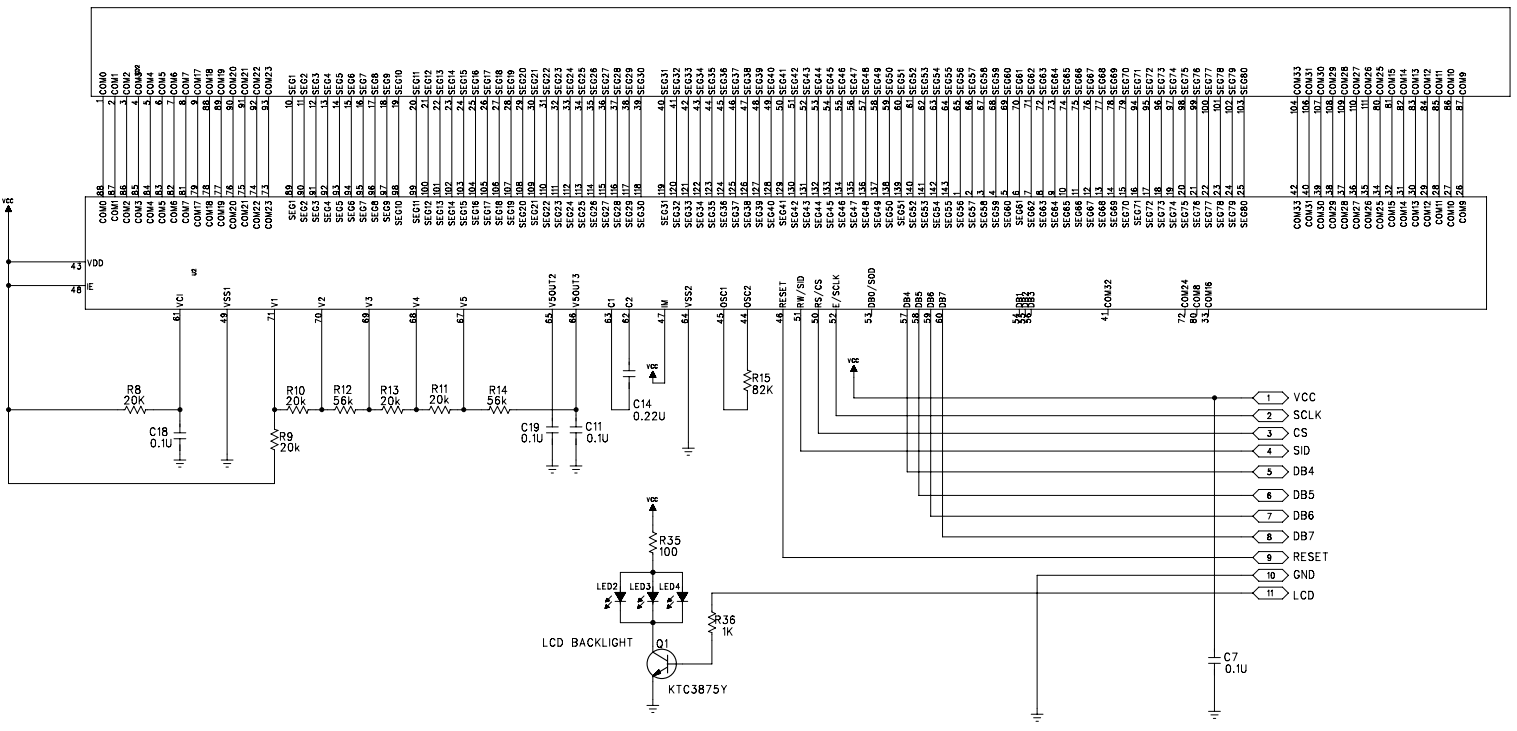


XingTEL Corporation			
ITC580 BASE MAIN			
DATE	DESIGNER	DATE	REV
2005.05.02			02
REVISION			

REVISION HISTORY			
REV	REV NO.	APPROVAL	DATE

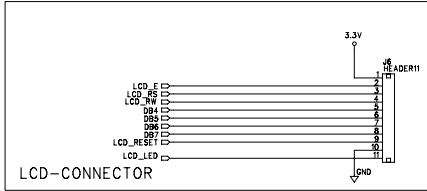
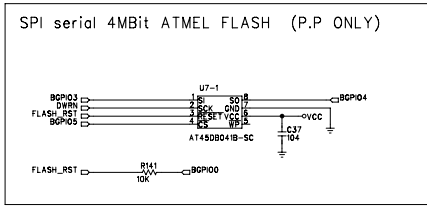
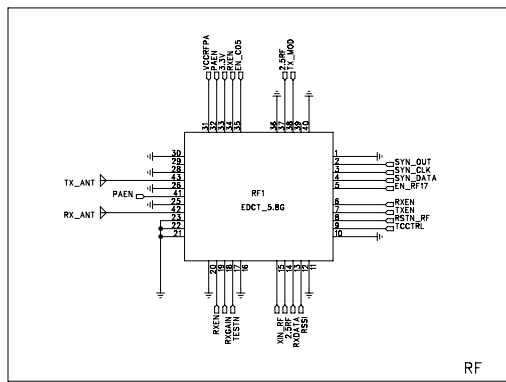
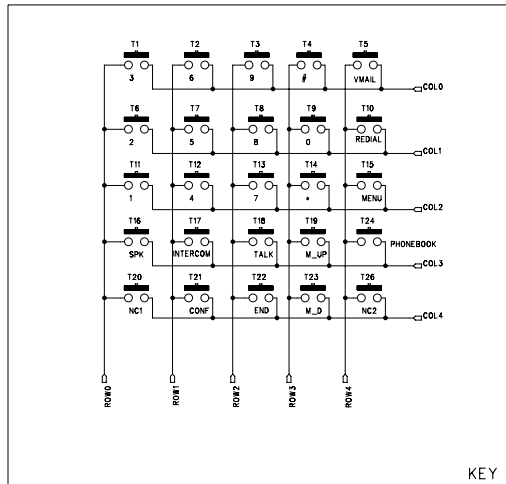


XingTEL Corporation	
T0580 BASE MAIN	
DATE	2005.05.02
DESIGNER	
CHECKER	
DATE	
DESIGNER	
CHECKER	



DRAW	DET.CEF	APPROVAL	XingTEL	
			TITLE	ITC580 BASE/HAND LCD
DATE	Document Number	2005. 5. 2	REV	
	SHEET			

REVISION HISTORY			
REV	REV NO.	APPENDIX	DATE



COMPANY:		XingTEL Corporation	
PROJECT:		ITC580 HANDY MAIN	
DESIGNER:	DATE:	CHK:	ISSUE NO:
DESIGN CHECKER:	DATE:	2005. 5. 2	02
RELEASED:	DATE:	SCALE:	HEET: 2/3

6 5 4 3 2 1

REVISION RECORD			
LTR	ECO NO:	APPROVED:	DATE:

D

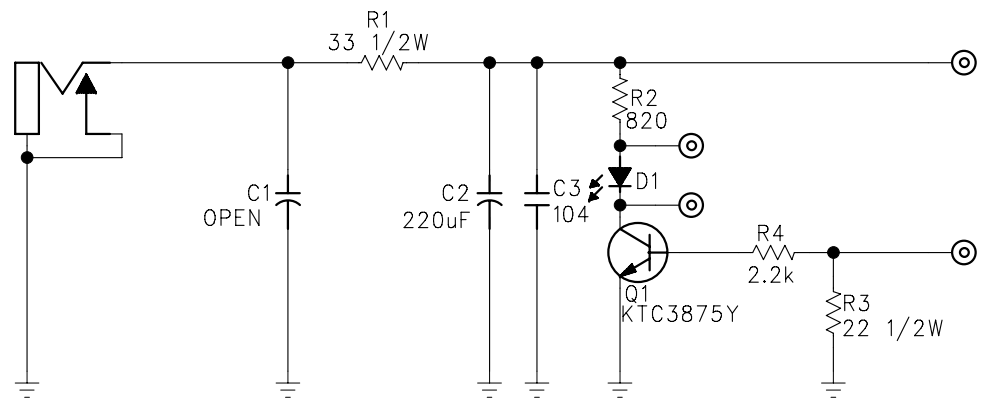
D

C

C

B

B



A

A

COMPANY: XingTEL Corporation

TITLE: CHARGER

DRAWN:	DATED:
CHECKED:	DATED:
QUALITY CONTROL:	DATED:
RELEASED:	DATED:

CODE:	SIZE:	DRAWING NO:	REV:
		2005.05. 2	00
SCALE:		SHEET: OF	