

1

2

3

4

A

A

B

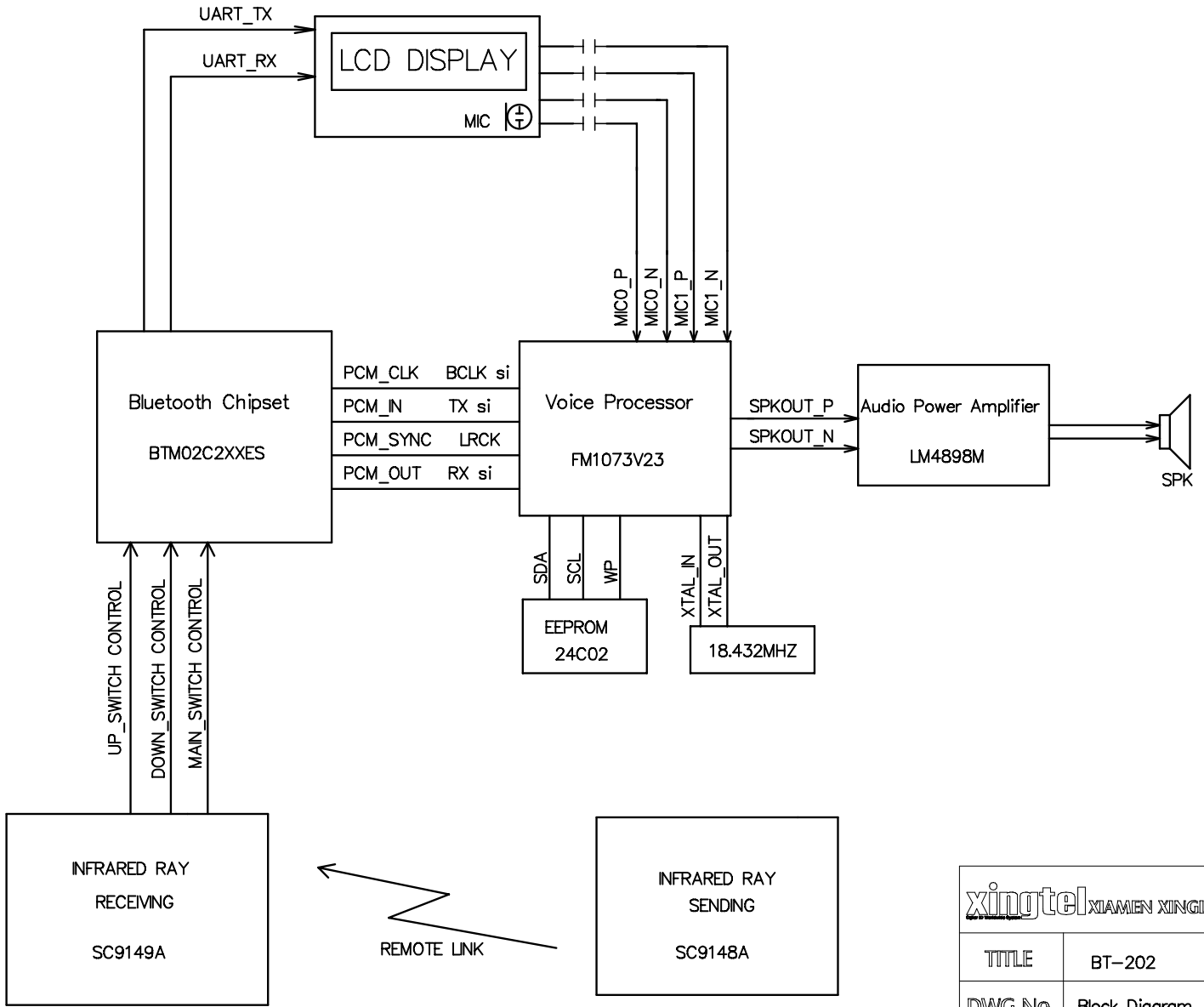
B

C

C

D

D



XIAMEN XINGLIAN ELECTRONICS CO.,LTD.			
TITLE	BT-202		
DWG No	Block Diagram		
DESIGN	OWEN	APPROVE	
CHECK		DATE	17-May-2006
REV.	UNIT mm	SCALE FIT	