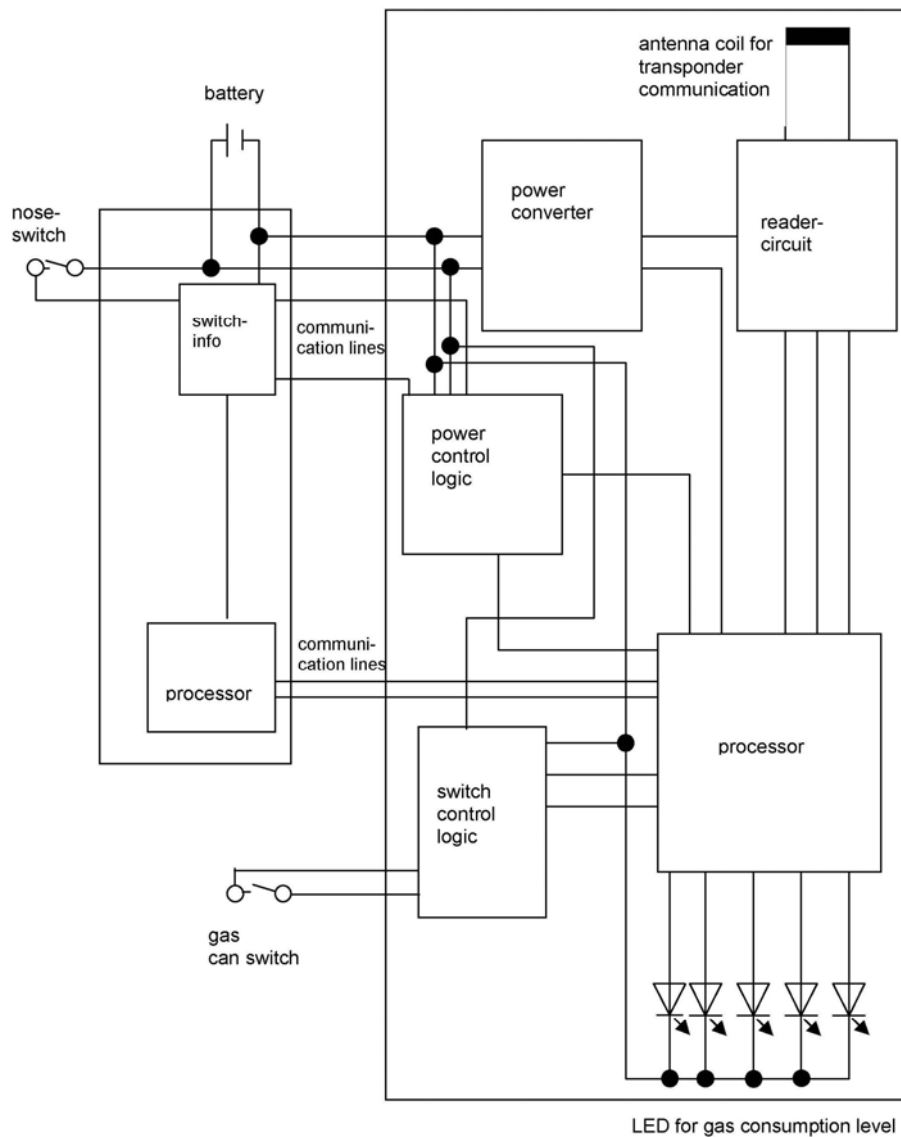


Block Diagram : **Hilti GX 120**



Oscillator frequencies
generated or used
in the device:

8.0 MHz Quartz

Operating frequency:

125 kHz