

P/N S181TC-2450S

Alternative Connectors

.TNC Reverse Polarity Plug(female)

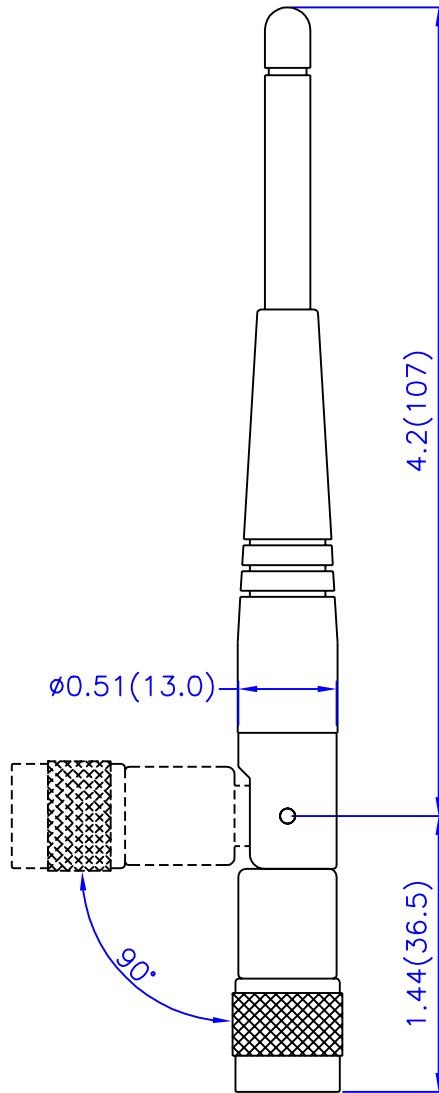
P/N: S181TR-2450S

Electrical Properties:

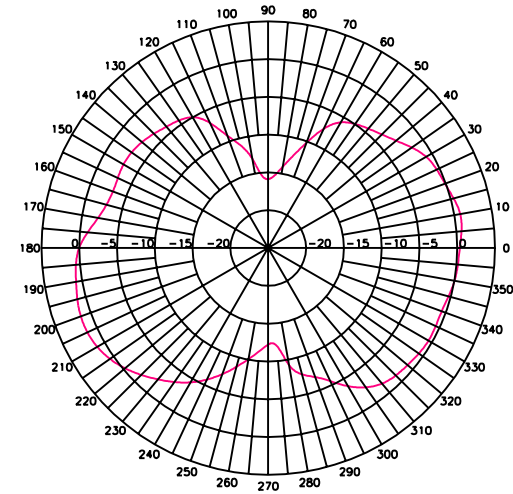
Frequency Range: 2.4~2.5 GHz
 Impedance: 50Ω nominal
 VSWR: <2.0:1
 Gain: 2 dBi
 Radiation: Omni
 Polarization: Vertical
 Wave: Half Wave Dipole

Mechanical Properties:

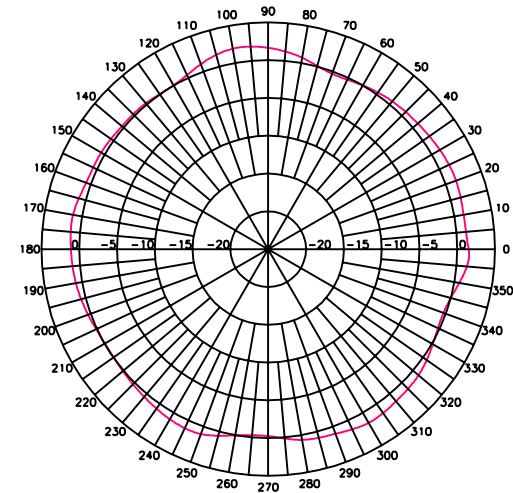
Connector: TNC Plug(male)
 Material:
 Whip: Polyurethane(Black)
 Swivel Mechanism: Polycarbonate(Black)
 Connector: Brass with black chrome plating
 Operation Temp.: -20°C to +65°C
 Storage Temp.: -30°C to +75°C



E-Plane Pattern @ 2.45GHz



H-Plane Pattern @ 2.45GHz



| | | | |
|---------|---------------------------------|--------------|-----|
| TITLE | 2.4GHz Swivel Antenna-181 Model | | VER |
| UNIT | DWG. NO. | S181TC-2450S | |
| in.(mm) | NEARSON | | |
| SCALE | | | |
| 1:1 | | | |