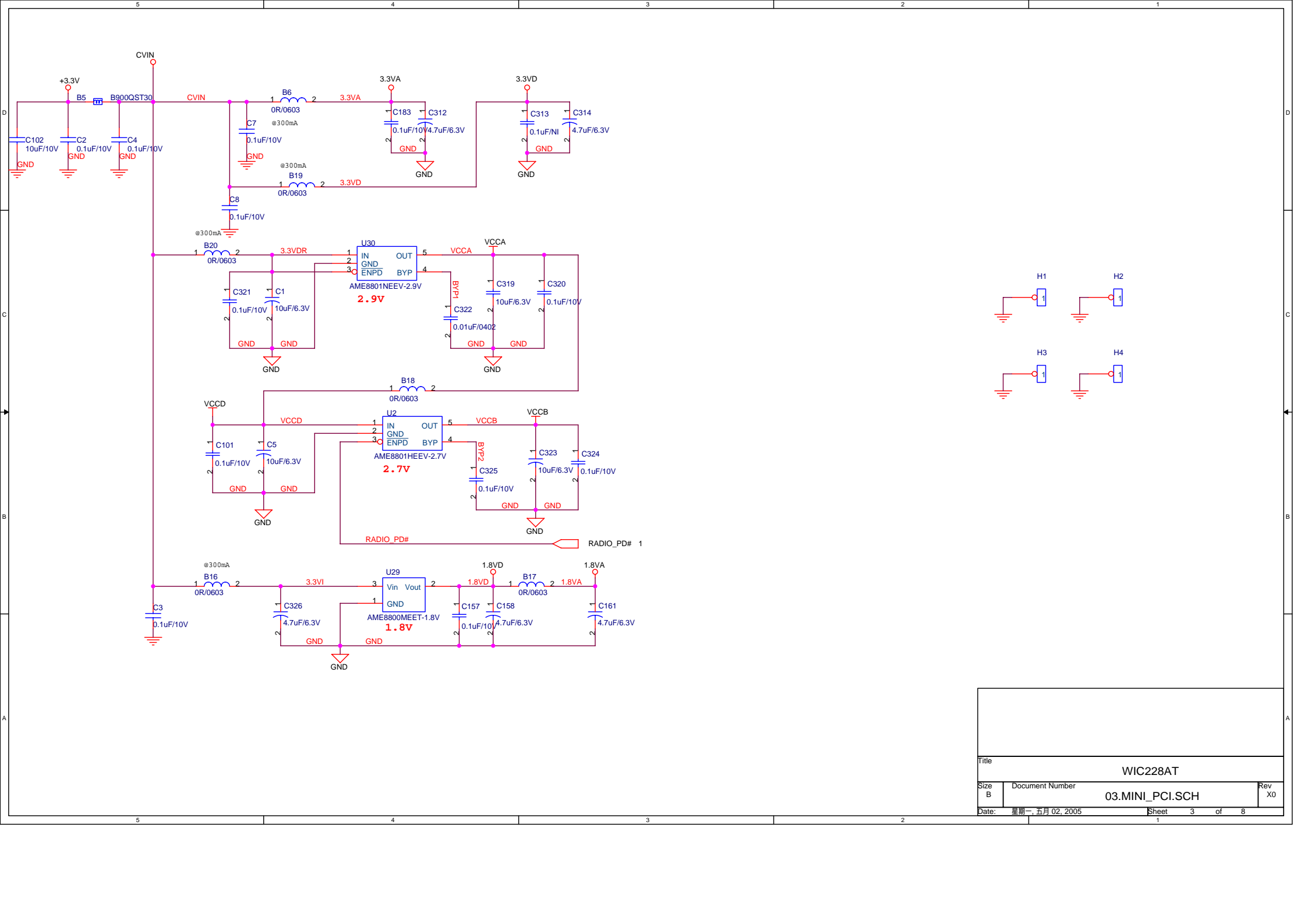
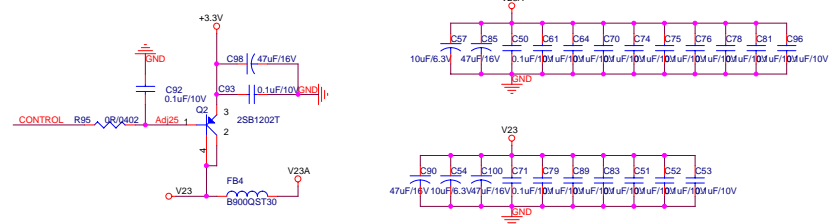
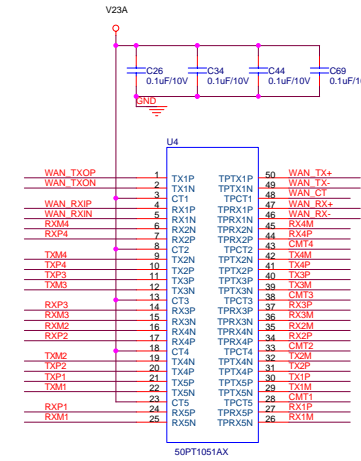
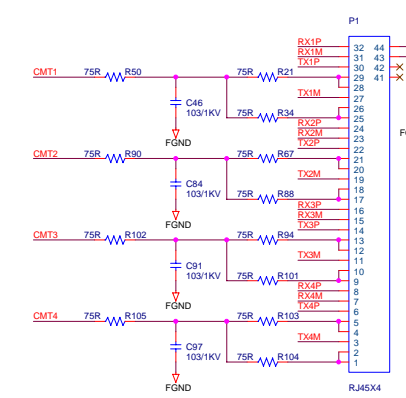
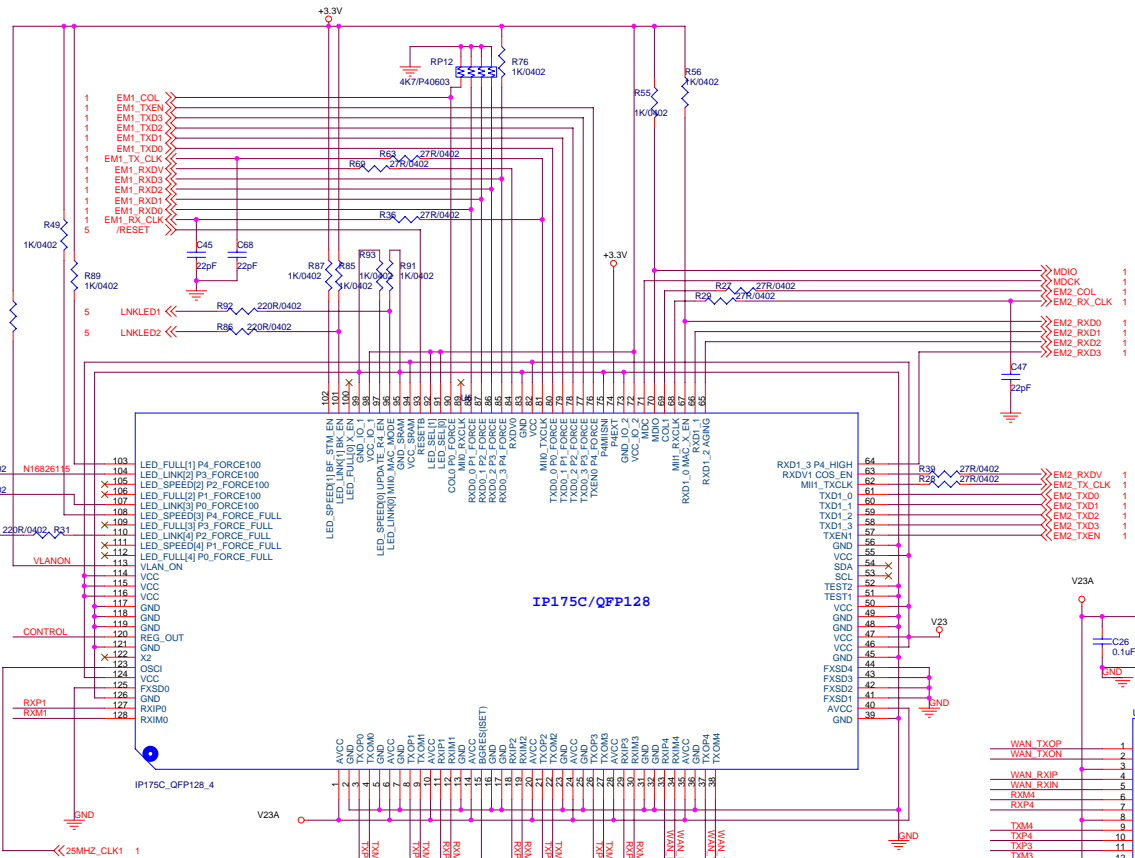
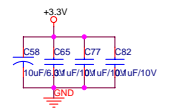


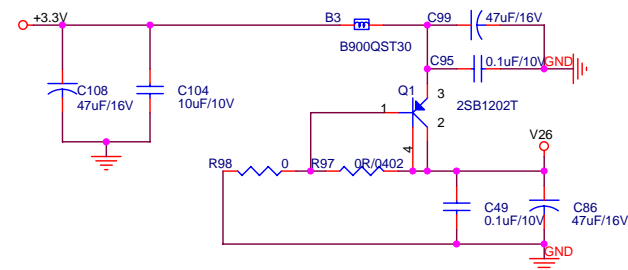
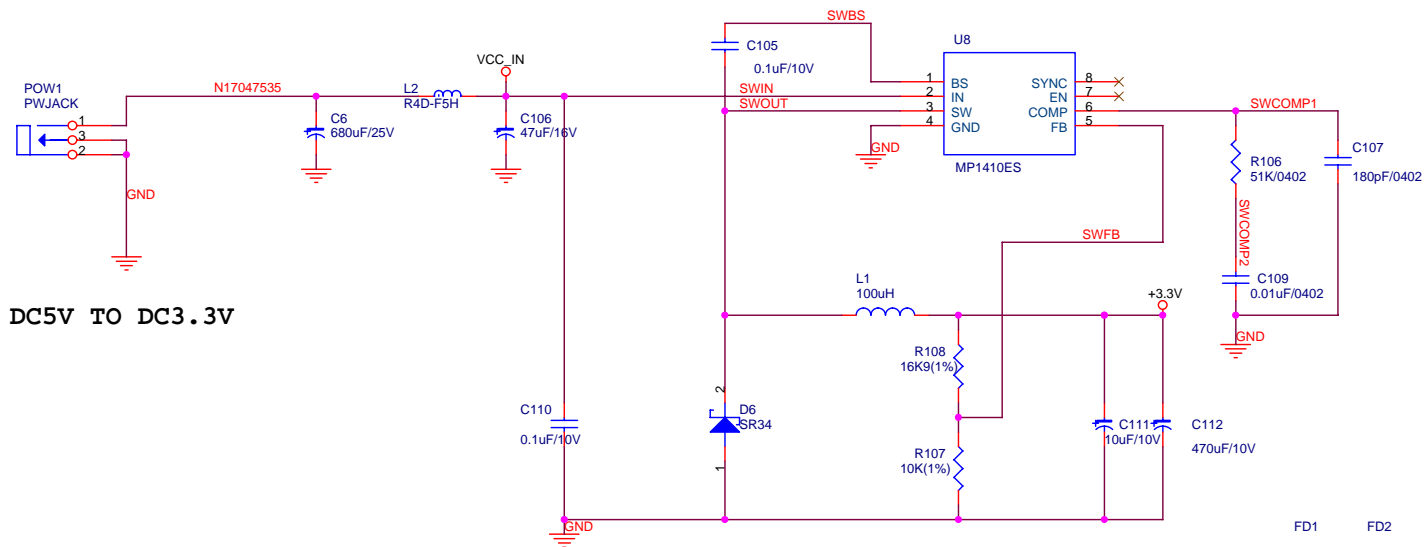
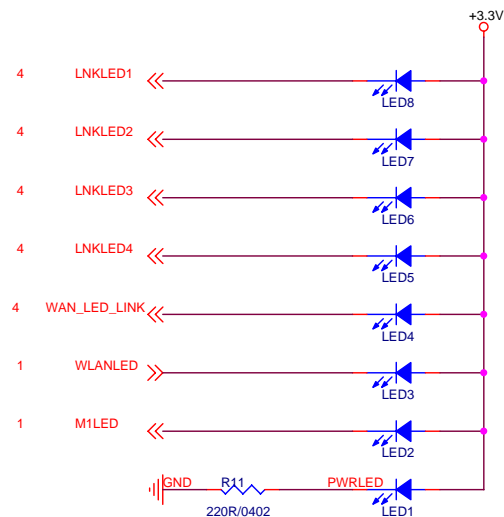
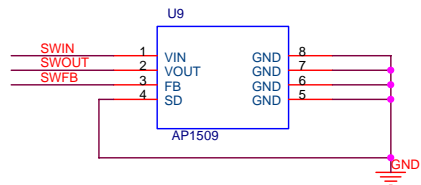
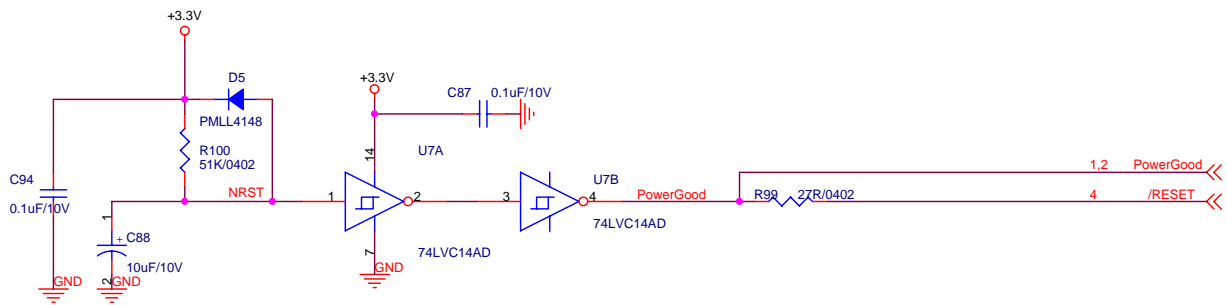
Title		
WIC228AT		
Size	Document Number	Rev
B	02.SDRAM/FLASH.SCH	X0
Date:	星期一, 五月 02, 2005	Sheet 2 of 8



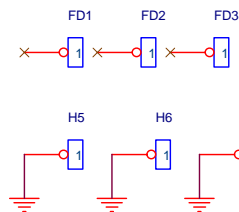
Title		WIC228AT	
Size	Document Number	03.MINI_PCI.SCH	
B			Rev X0
Date:	星期一, 五月 02, 2005	Sheet	3 of 8



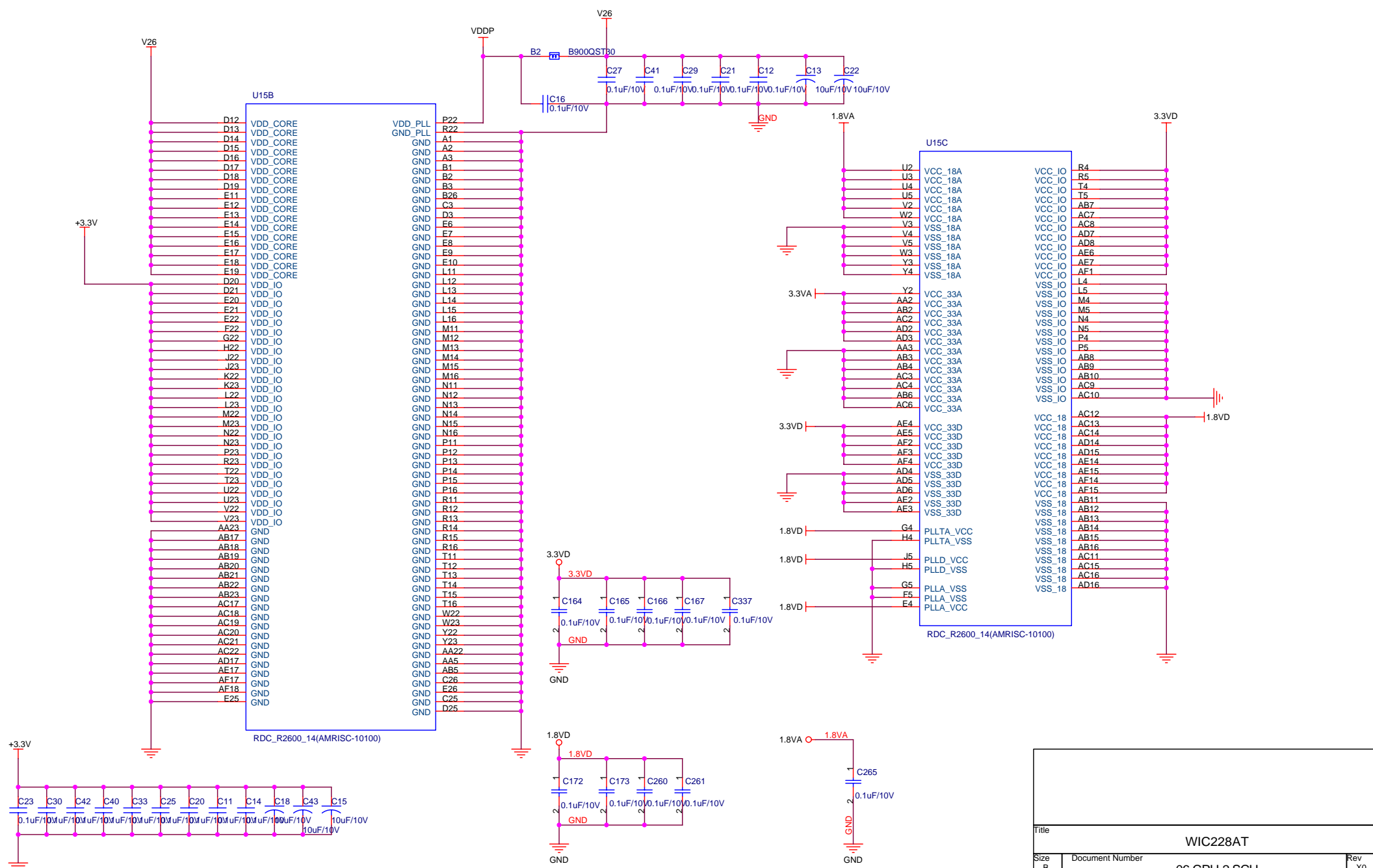
File	WIC228AT		
Size	Document Number	04_SWITCH.SCH	Rev
C			XD
Date	星期三, 五月 02, 2005	Sheet	4 of 8



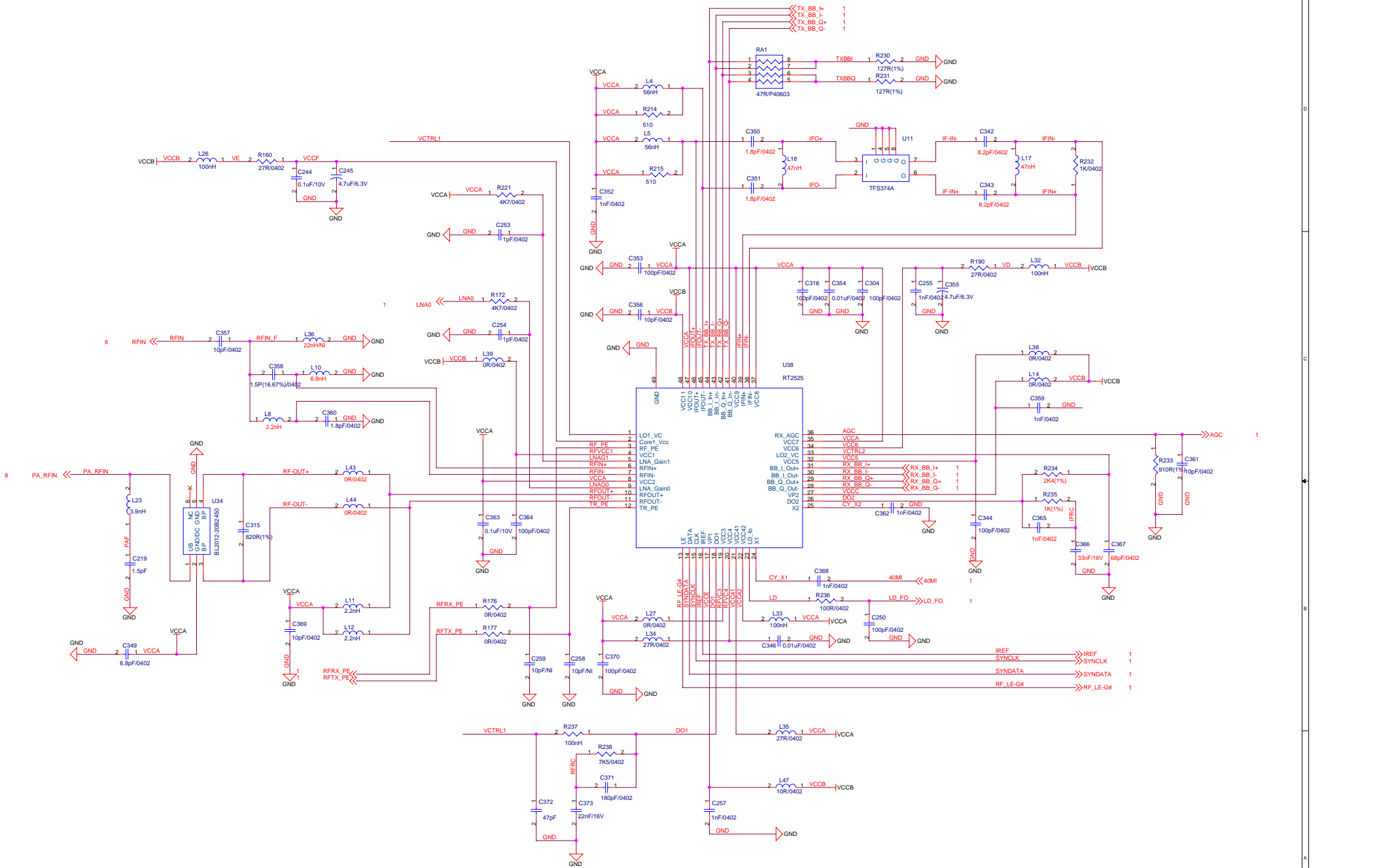
DC5V TO DC3.3V



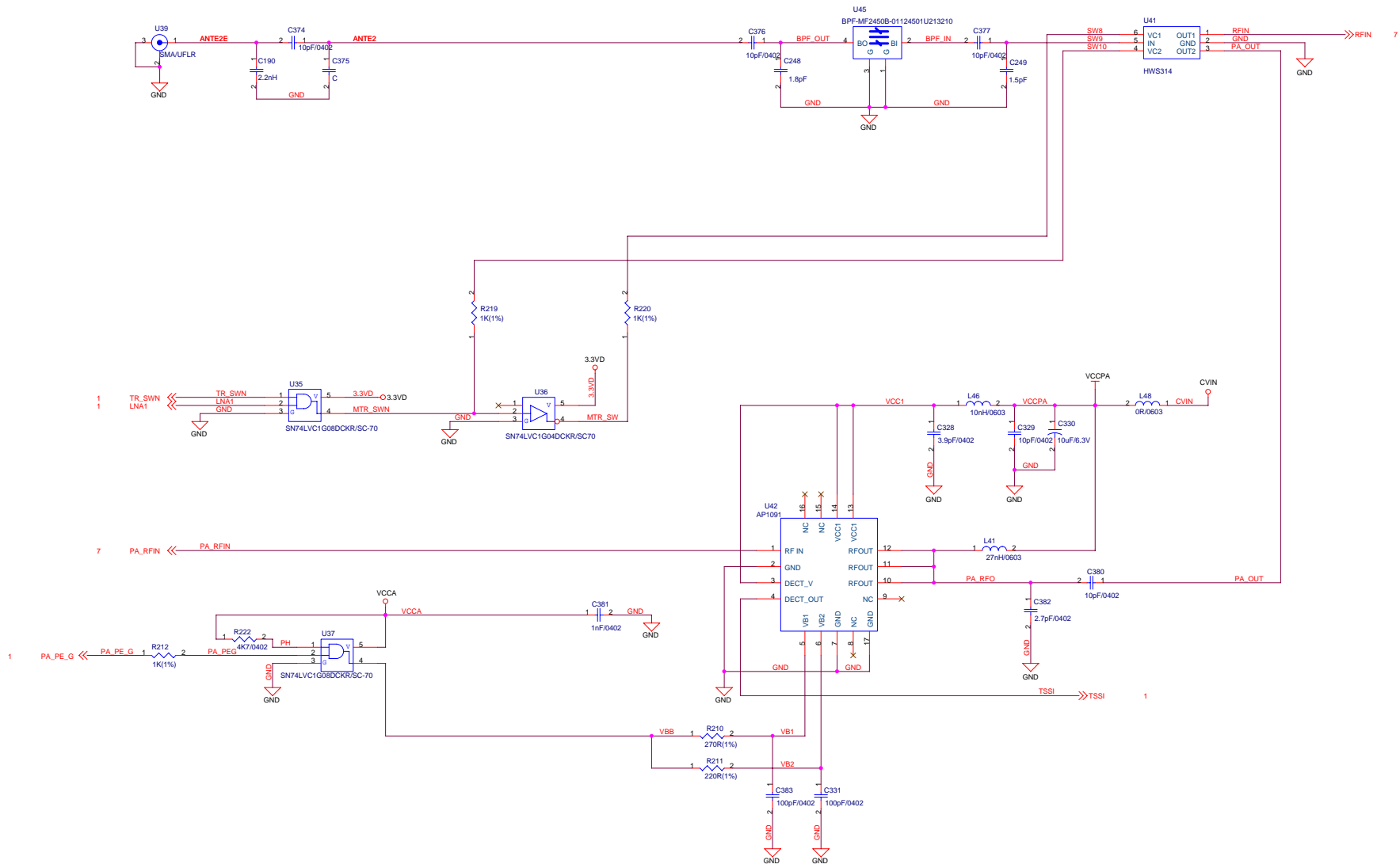
Title		
WIC228AT		
Size	Document Number	Rev
B	05.POWER/LED.SCH	X0
Date:	星期一, 五月 02, 2005	Sheet 5 of 8



Title			WIC228AT		
Size	Document Number				Rev
B	06.CPU-2.SCH				X0
Date:	星期一, 五月 02, 2005	Sheet	6	of	8



File			WIC228AT		
Size	Document Number				Rev
Custom	07.RT2525.SCH				XD
Date	星期二, 五月 02, 2005	Sheet	7	of	8



File		WIC228AT	
Size	Document Number	08.PA-RFIC.SCH	Rev
C			XD
Date	星期一, 五月 02, 2005	Sheet	8 of 8